

AE 立式

AEVF	AEVK	AEVT
IE1	IE3	GB2

標準型感應電動機

Standard Induction Motor,
Iron-casting Frame,
▶ Flange Mounted.

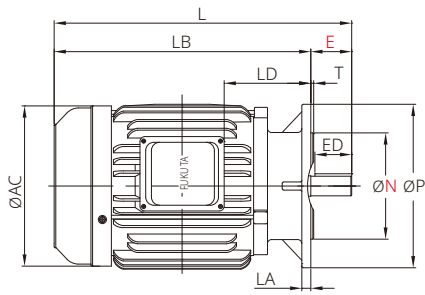
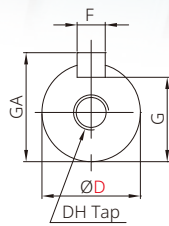
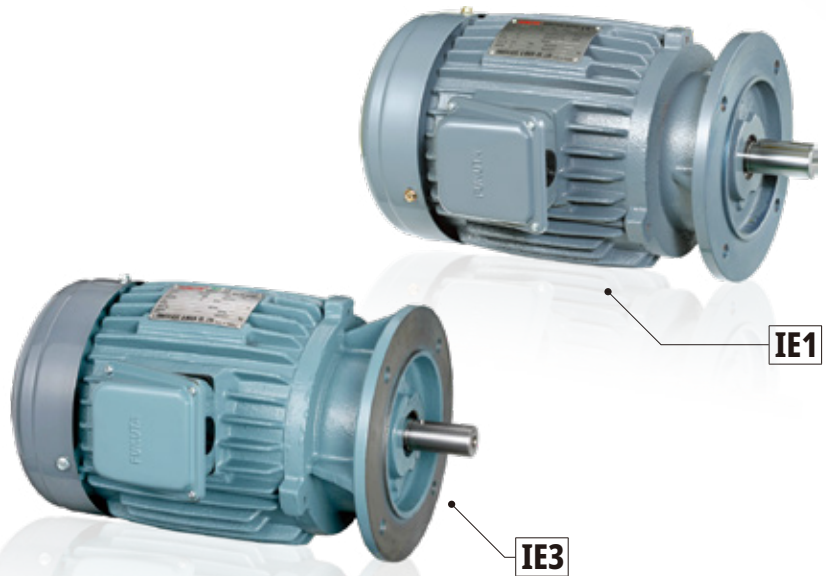


Fig.1

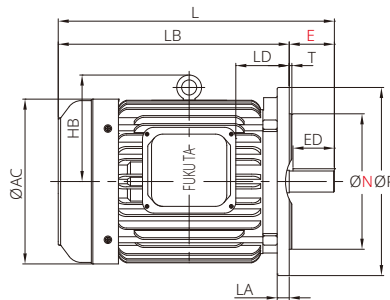
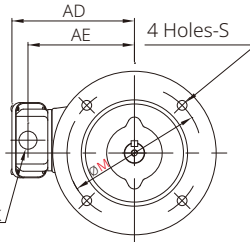
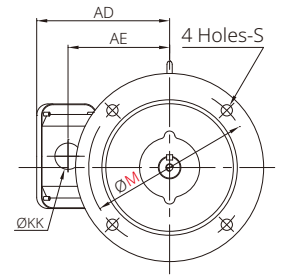


Fig.2



Specifications 規格				Frame No.	Fig	B5 Dimensions 尺寸									
2P	4P	6P	8P			AC	AD	AE	HB	KK	L	LA	LB	LD	M
1/4	1/4	-	-	63	2	142	125	92	-	22	222	12	199	37	130
1/2	1/2	1/4	-	71	1	162	138	105	-	22	268.5	11.5	238.5	74	130
1	1	1/2	1/4	80	2	175	149.5	115	-	22	272.5	12	232.5	48	165
2, 3	2	1	1/2	90L	1	196	161.5	127	-	22	364	11	314	106	165
-	3	2	1	100L	2	219	176	135	141.5	28	367	16	307	71	215
5	5	3	2	112M	3	234	187	144.5	152	28	428	15	368	118	215
7.5,10	7.5	5	3	132S	3	268	221.5	179	178	35	448	19	368	74.5	265
-	10	7.5	5	132M	3	268	221.5	179	178	35	486	19	406	93.5	265
15, 20	15	10	7.5	160M	4	319	253	211	215	35	612	20	502	128.5	300
25	20	15	10	160L	4	319	253	211	215	35	656	20	546	151	300
30	25, 30	20	15	180M	4	355	302.5	245	239	52	668	20	558	151.5	350
40	40	25, 30	20	180L	4	355	302.5	245	239	52	707.5	20	597.5	170.5	350
50,60	50, 60	40, 50	25, 30	200L	4	399	332	274	264	65	803	20	666	163	400
-	75	60	40	225S	4	448.2	372	303	301.5	92	811	22	671	190	500
-	100	75	50	250S	4	498.1	455.7	366.5	323.6	92	912.5	22	772.5	216	500
-	125	100	60	250M	4	498.1	455.7	366.5	323.6	92	912.5	22	772.5	216	500

▪ Remark: 1.Tolerance of Shaft End Diameter "D": Ø11~ Ø28: j6 Ø38~ Ø48: k6 Ø55~ Ø60: m6
2.Tolerance of Guidance Diameter "N": h7

Standard Induction Motor

Iron-casting Frame, Flange Mounted.

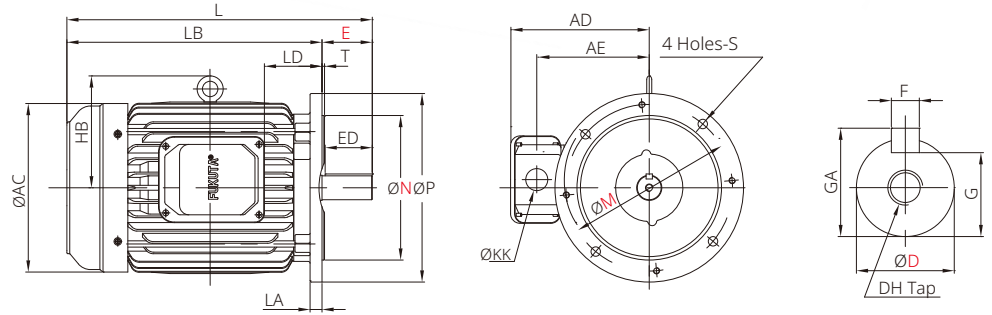


Fig.3

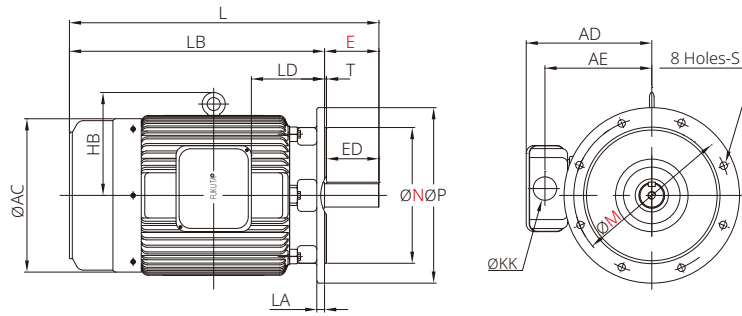


Fig.4

B5 Dimensions 尺寸				Shaft 出力軸 尺寸								Wt. 重量			
N	P	S	T	Shaft End				Bearings				Flange mounted			
				D	E	ED	F	G	GA	DH	Load Side	Opposite	IE1	IE3	
110	160	10	3.0	11	23	18	4	8.5	12.5	M4*10	6201Z	6201ZZ	9	-	
110	160	10	3.5	14	30	25	5	11.0	16.0	M5*12.5	6202ZZ	6202ZZ	11	-	
130	200	12	3.5	19	40	35	6	15.5	21.5	M6*16	6204ZZ	6203ZZ	16	19	
130	200	12	3.5	24	50	45	8	20.0	27.0	M8*19	6205ZZ	6204ZZ	25	29	
180	250	15	3.5	28	60	55	8	24.0	31.0	M10*22	6206ZZ	6205ZZ	33	42	
180	250	15	4.0	28	60	55	8	24.0	31.0	M10*22	6306ZZ	6305ZZ	45	52	
230	300	15	4.0	38	80	75	10	33.0	41.0	M12*28	6308ZZ	6306ZZ	65	73	
230	300	15	4.0	38	80	75	10	33.0	41.0	M12*28	6308ZZ	6306ZZ	75	80	
250	350	19	5.0	42	110	105	12	37	45	M16*36	6309ZZ	6307ZZ	120	129	
250	350	19	5.0	42	110	105	12	37.0	45.0	M16*36	6309ZZ	6307ZZ	140	151	
300	400	19	5.0	48	110	105	14	42.5	51.5	M16*36	6311ZZ	6310ZZ	175/180	195/200	
300	400	19	5.0	55	110	105	16	49.0	59.0	M20*42	6312ZZ	6310ZZ	220	227	
350	450	19	5.0	60	140	135	18	53.0	64.0	M20*42	6313ZZ	6212ZZ	280/300	300/330	
450	550	18.5	5	65	140	135	18	58	69	M20*42	6315ZCC3	6213ZCC3	390	420	
450	550	18.5	5	75	140	135	20	67.5	79.5	M20*42	6316ZCC3	6313ZCC3	525	530	
450	550	18.5	5	75	140	135	20	67.5	79.5	M20*42	6316ZCC3	6313ZCC3	560	565	

• 由於對產品持續研發，故對於產品特性規格如有變動，本公司將不另行通知