

AM 立式

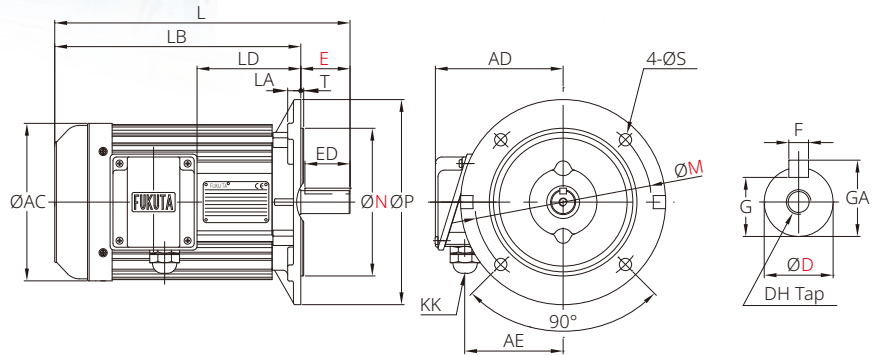
AMVF / AMVB (B14)

IE1

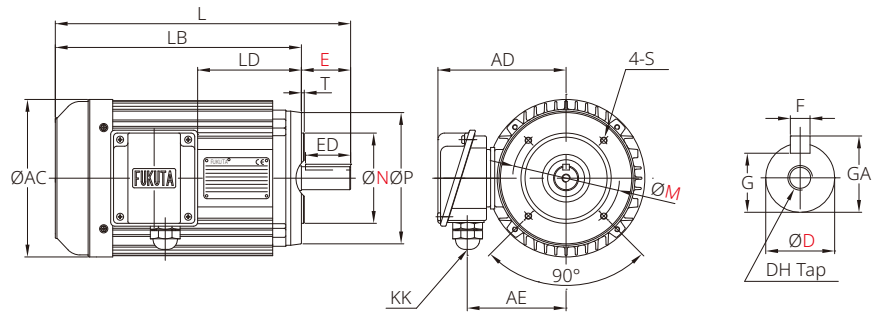
輕量型感應電動機

Standard Induction Motor,
Aluminum Frame.

► Flange Mounted.



B5



B14

Shaft 出力軸尺寸								B5/B14 Flange 尺寸					B5 Flange 尺寸					B14 Flange 尺寸					Wt. 重量			
Shaft End				Bearings				AC	AD	AE	L	LB	LD	LA	M	N	P	S	T	M	N	P	S	T	Flange mounted	
D	E	ED	F	G	GA	DH	Load Side																			Opposite
11	23	18	4	8.5	12.5	M4*10	6201ZLU	6201ZLU	112	116	83.0	212.0	189.0	66.0	10	130	110	160	10	3.5	75	60	90	M5*10	2.5	6
14	30	25	5	11.0	16.0	M5*12.5	6202ZLU	6202ZLU	133	124	91.0	245.0	215.0	80.5	12	130	110	160	10	3.5	85	70	105	M6*11	2.5	9
19	40	35	6	15.5	21.5	M6*16	6204ZLU	6203ZLU	156	132	99.0	274.5	234.5	86.0	12	165	130	200	12	3.5	100	80	120	M6*11	3.0	13
24	50	45	8	20.0	27.0	M8*19	6205ZLU	6204ZLU	175	142.5	109.5	322.0	272.0	118.5	12	165	130	200	12	3.5	115	95	140	M8*15	3.5	19
28	60	55	8	24.0	31.0	M10*22	6206ZLU	6205ZLU	192	160	120.0	360.0	300.0	126.5	16	215	180	250	15	3.5	130	110	160	M8*15	3.5	25
28	60	55	8	24.0	31.0	M10*22	6306ZLU	6305ZLU	219	173	133.0	391.0	331.0	142.0	16	215	180	250	15	4.0	130	110	160	M8*15	3.5	34
38	80	75	10	33.0	41.0	M12*28	6308ZLU	6306ZLU	268	201.0	158.5	449.0	369.0	137.0	19	265	230	300	15	4.0	165	130	202	M10*20	4.0	55

- Remark: 1.Tolerance of Shaft End Diameter "D": $\varnothing 11\sim\varnothing 28$: j6 $\varnothing 38\sim\varnothing 48$: k6
- 2.Tolerance of Guidance Diameter "N":h7

AM 臥式

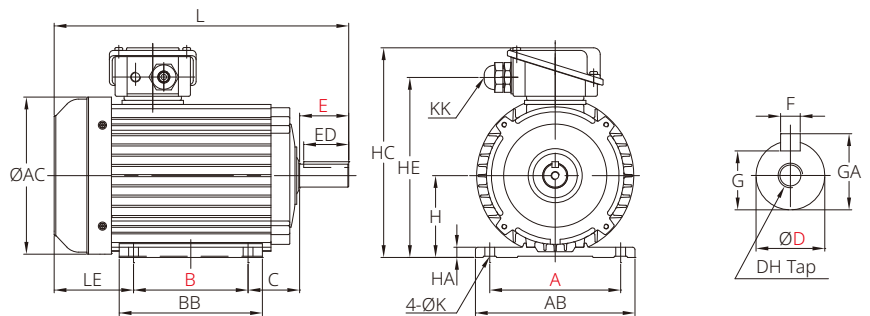
AMEK
IE3

2P 4P 6P

輕量型感應電動機

Standard Induction Motor,
Aluminum Frame.

► Foot Mounted.



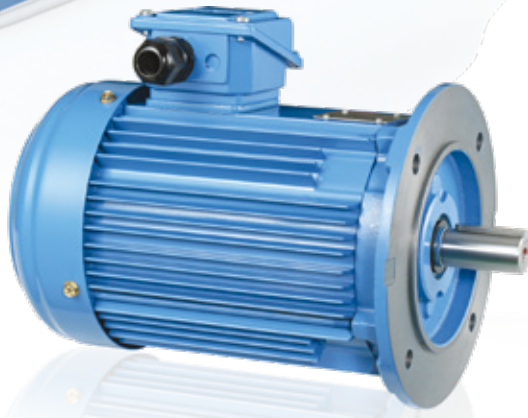
B3

Specificatio 規格		B3 Dimensions 尺寸														Shaft 出力軸尺寸							Wt. 重量		
Output (HP)	Frame No.	A	AB	AC	B	BB	C	H	HA	HC	HE	K	KK	L	LE	Shaft End						Bearings		Foot Mounted	
		2P	D	E	ED	F	G	GA	DH	Loas Side	Opposite	IE3													
1	80	125	155	156	100	130	49.5	80.0	9.0	212	179.5	10	MG20	274.5	85.0	19	40	35	6	15.5	21.5	M6*16	6204ZLU	6203ZLU	13
2,3	90L	140	170	175	125	150	56	90.0	11.0	232.5	199.5	10	MG20	322.0	91.0	24	50	45	8	20.0	27.0	M8*19	6205ZLU	6204ZLU	20
5	112M	190	224	219	140	175	70	112.0	14.0	280	245	12	PG21	391.0	121.0	28	60	55	8	24.0	31.0	M10*22	6306ZLU	6305ZLU	38
7.5,10	132S	216	250	268	140	180	89	132.0	16.0	332.0	290	13	ø35	449.0	140.0	38	80	75	10	33.0	41.0	M12*28	6308ZLU	6306ZLU	50

Specification 規格		B3 Dimensions 尺寸														Shaft 出力軸尺寸							Wt. 重量		
Output (HP)	Frame No.	A	AB	AC	B	C	H	HA	HC	HE	K	KK	L	LE	Shaft End						Bearings		Foot Mounted		
		4P	6P	D	E	ED	F	G	GA	DH	Loas Side	Opposite	IE3												
1	80	125	155	175	100	50	80	8.5	222.5	189.5	10	MG20	277.5	87.5	19	40	35	6	21.5	15.5	M6*16	6204ZLU	6203ZLU	15	
2	1	90L	140	180	196	125	56	90	12	250	210	10	PG21	325	94	24	50	45	8	27.0	20	M8*19	6205ZLU	6204ZLU	23
3	2	100L	160	196	219	140	63	100	12.5	273	233	12	PG21	371	108	28	60	55	8	31.0	24.0	M10*22	6206ZLU	6205ZLU	28
5	3	112M	190	224	234	140	70	112	14	290.4	251	12	PG21	390	120	28	60	55	8	31.0	24.0	M10*22	6306ZLU	6305ZLU	35
7.5	5	132S	216	250	268	140	89	132	16	332	290	13	ø35	449	140	38	80	75	10	41.0	33.0	M12*28	6308ZLU	6306ZLU	57

- Remark: 1.Tolerance of Shaft End Diameter "D" : $\varnothing 11\sim\varnothing 28$: j6 $\varnothing 38\sim\varnothing 48$: k6
- 2.Tolerance of Shaft Center Height "H" :+0~-0.5

FUKUTA



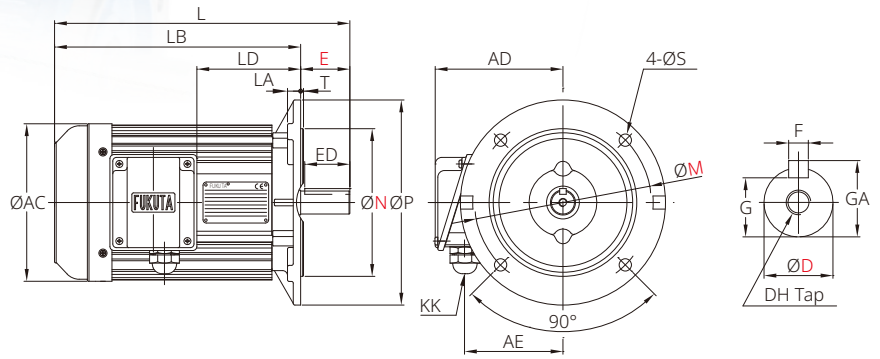
AM 立式

AMVK
IE3

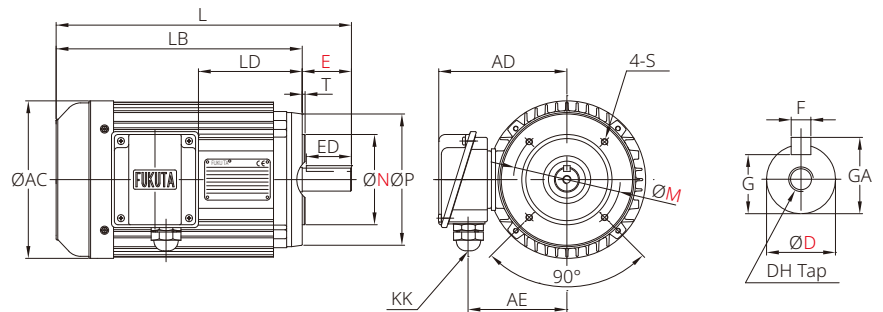
輕量型感應電動機

Standard Induction Motor,
Aluminum Frame.

► Flange Mounted.



B5



B14

Shaft 出力軸尺寸								B5/B14 Flange 尺寸							B5 Flange 尺寸					B14 Flange 尺寸					Wt. 重量	
Shaft End				Bearings				AC	AD	AE	L	LB	LD	LA	M	N	P	S	T	M	N	P	S	T	Flange mounted	
D	E	ED	F	G	GA	DH	Loas Side																			Opposite
19	40	35	6	15.5	21.5	M6*16	6204ZLU	6203ZLU	156	132	99.0	274.5	234.5	86.0	12	165	130	200	12	3.5	100	80	120	M6*11	3.0	13
24	50	45	8	20.0	27.0	M8*19	6205ZLU	6204ZLU	175	142.5	109.5	322.0	272.0	118.5	12	165	130	200	12	3.5	115	95	140	M8*15	3.5	20
28	60	55	8	24.0	31.0	M10*22	6306ZLU	6305ZLU	219	173	133.0	391.0	331.0	142.0	16	215	180	250	15	4.0	130	110	160	M8*15	3.5	38
38	80	75	10	33.0	41.0	M12*28	6308ZLU	6306ZLU	268	201.0	158.5	449.0	369.0	137.0	19	265	230	300	15	4.0	165	130	202	M10*20	4.0	53

Shaft 出力軸尺寸								B5/B14 Flange 尺寸							B5 Flange 尺寸					B14 Flange 尺寸					Wt. 重量	
Shaft End				Bearings				AC	AD	AE	L	LB	LD	LA	M	N	P	S	T	M	N	P	S	T	Flange mounted	
D	E	ED	F	G	GA	DH	Loas Side																			Opposite
19	40	35	6	21.5	15.5	M6*16	6204ZLU	6203ZLU	175	142.5	109.5	275.5	235	137	12	165	130	200	12	3.5	100	80	120	M6*11	3.0	16
24	50	45	8	27.0	20.0	M8*19	6205ZLU	6204ZLU	196	160	120	364	314	182	11	165	130	200	12	3.5	115	95	140	M8*15	3.5	26
28	60	55	8	31.0	24.0	M10*22	6206ZLU	6205ZLU	219	173	133.0	374	314	142	16	215	180	250	15	3.5	130	110	190	M8*15	3.5	35
28	60	55	8	31.0	24.0	M10*22	6306ZLU	6305ZLU	234	178	139	428	368	182	15	215	180	250	15	4.0	130	110	200	M8*15	4.0	43
38	80	75	10	41.0	33.0	M12*28	6308ZLU	6306ZLU	268	201.0	158.5	449.0	369	137	19	265	230	300	15	4.0	165	130	202	M10*20	4.0	62

- Remark: 1.Tolerance of Shaft End Diameter "D": $\varnothing 11\sim\varnothing 28$:j6 $\varnothing 38\sim\varnothing 48$:k6
- 2.Tolerance of Guidance Diameter "N":h7