

G,D 臥式

GFEF / DFEF

變頻馬達

Inverter Motor,
Iron-casting Frame

► Foot Mounted.

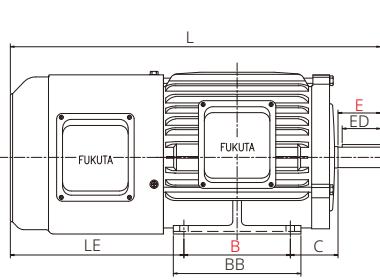


Fig.1

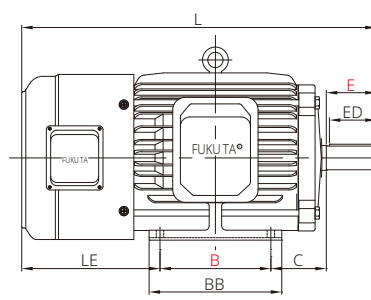
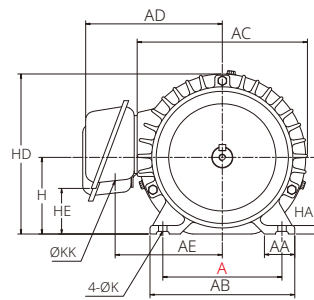
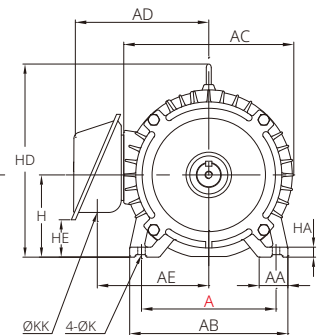


Fig.2



Specifications 規格					B3 Dimensions 尺寸												
Output (HP)				Frame No	Fig	A	AA	AB	AC	AD	AE	B	BB	C	H	HA	HD
2P	4P	6P	8P														
1/4	1/4	—	—	63	1	100	28	120	143	125	94	80	100	40	63	8	134
1/2	1/2	1/4	—	71	1	112	37.5	138	163.5	137.5	104	90	119	45	71	11	152
1	1	1/2	1/4	80	1	125	38	155	176	149	114.5	100	130	50	80	9	168
2, 3	2	1	1/2	90L	1	140	35.5	170	200	160.5	126	125	150	56	90	10	188
—	3	2	1	100L	2	160	45	196	217.5	177	135	140	175	63	100	12.5	243
5	5	3	2	112M	2	190	45	224	238	187	145	140	175	70	112	14	265
7.5, 10	7.5	5	3	132S	2	216	46	254	273	221.5	180	140	175	89	132	16	310
—	10	7.5	5	132M	2	216	46	254	273	222	179	178	213	89	132	16	310
15, 20	15	10	7.5	160M	3	254	75	300	330	253	211	210	256	108	160	18	373
25	20	15	10	160L	3	254	75	300	330	253	211	254	300	108	160	18	373
30	25, 30	20	15	180M	3	279	80	355	381	300.5	243	241	297	121	180	20	421
40	40	25, 30	20	180L	3	279	80	355	381	300.5	243	279	335	121	180	20	421
50, 60	50, 60	40, 50	25, 30	200L	3	318	80	398	421	331	273.5	305	350	133	200	24	469
—	75	60	40	225S	3	356	94.5	453	467.5	391	316.8	286	354	149	225	30	515
—	100	75	50	250S	4	406	104	501	511.5	473	355.9	311	425	168	250	37	573.5
—	125	100	60	250M	4	406	104	501	511.5	473	355.9	349	425	168	250	37	573.5
—	150	125	75	280S	5	457	110	560	627.5	606	455	368	445	190	280	36	706.5
—	175	150	100	280M	5	457	110	560	627.5	606	455	419	496	190	280	36	706.5
—	200, 215	175	125	315S	5	508	115	615	627.5	606	455	406	490	216	315	40	743
—	250, 270	215	150	315M	5	508	115	615	627.5	606	455	457	540	216	315	40	743

- Remark: 1.Tolerance of Shaft End Diameter "D": $\varnothing 11\sim\varnothing 28$: j6 $\varnothing 38\sim\varnothing 48$: k6 $\varnothing 55\sim\varnothing 95$: m6
2.Tolerance of Shaft Center Height "H": $+0\sim-0.5$ 280S~315M "H": $+0\sim-1$

Inverter Motor

Iron-casting Frame, Foot Mounted.

G,D Series INVERTER MOTOR

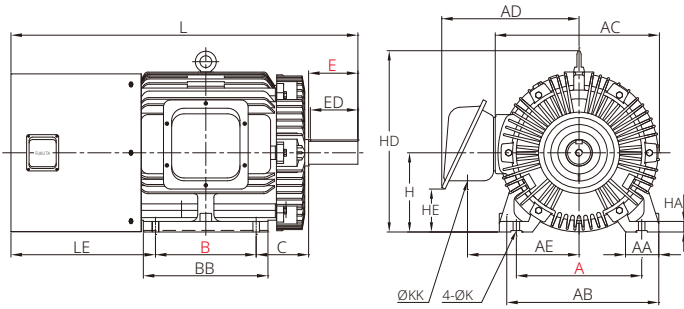


Fig.3

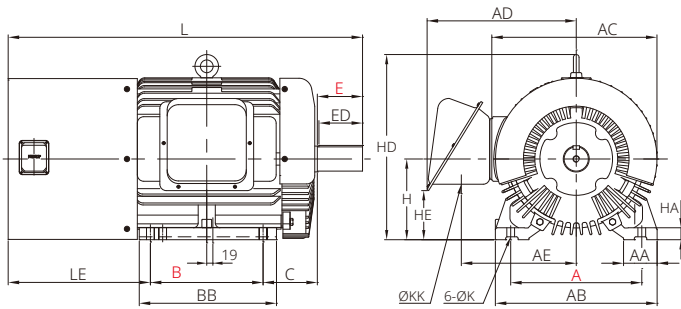


Fig.4

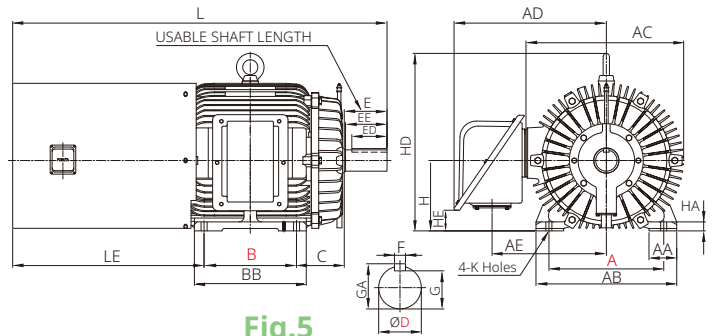


Fig.5

B3 Dimensions 尺寸					Shaft 出力軸尺寸											Wt. 重量
HE	K	KK	L	LE	Shaft End							Bearings		Foot mounted		
					D	E	ED	EE	F	G	GA	DH	Load Side		Opposite	
30	7	22	323	180	11	23	18	—	4	8.5	12.5	M4*10	6201ZZ	6201ZZ	9	
38	7	22	314.5	149.5	14	30	25	—	5	11.0	16.0	M5*12.5	6202ZZ	6202ZZ	11	
51	10	22	378	188	19	40	35	—	6	15.5	21.5	M6*16	6204ZZ	6203ZZ	15	
53.5	10	22	435	204	24	50	45	—	8	20.0	27.0	M8*19	6205ZZ	6204ZZ	22	
62	12	28	467	204	28	60	55	—	8	24.0	31.0	M10*22	6206ZZ	6205ZZ	30	
65	12	28	482.5	212.5	28	60	55	—	8	24.0	31.0	M10*22	6306ZZ	6305ZZ	40	
60	12	35	531	222	38	80	75	—	10	33.0	41.0	M12*28	6308ZZ	6306ZZ	60	
60	12	35	569	222	38	80	75	—	10	33.0	41.0	M12*28	6308ZZ	6306ZZ	70	
75	14.5	35	738	310	42	110	105	—	12	37.0	45.0	M16*36	6309ZZ	6307ZZ	115	
75	14.5	35	782	310	42	110	105	—	12	37.0	45.0	M16*36	6309ZZ	6307ZZ	135	
90	14.5	52	776	305	48	110	105	—	14	42.5	51.5	M16*36	6311ZZ	6310ZZ	170/180	
90	14.5	52	814	304.5	55	110	105	—	16	49.0	59.0	M20*42	6312ZZ	6310ZZ	210	
120.5	18.5	65	887	309	60	140	135	—	18	53.0	64.0	M20*42	6313ZZ	6212ZZ	280/300	
122	18.5	92	985.5	410.5	65	140	135	—	18	58.0	69.0	M20*42	6315ZZC3	6213ZZC3	360	
152	24	92	1099.5	480.5	75	140	135	—	20	67.5	79.5	M20*42	6316ZZC3	6313ZZC3	513	
152	24	92	1099.5	442.5	75	140	135	—	20	67.5	79.5	M20*42	6316ZZC3	6313ZZC3	552	
82	24	—	1489.5	761.5	85	170	140	157	22	76	90	—	NU320C3	6316	—	
82	24	—	1540.5	761.5	85	170	140	157	22	76	90	—	NU320C3	6316	—	
117	28	—	1577	782	95	170	140	157	25	86	100	—	NU320C3	6316	—	
117	28	—	1628	782	95	170	140	157	25	86	100	—	NU320C3	6316	—	

▪ 由於對產品持續研發，故對於產品特性規格如有變動，本公司將不另行通知