

T,V 立式

TFVF / VFVF

變頻專用馬達

Inverter Duty Motor,

Iron-casting Frame

► Flange Mounted.

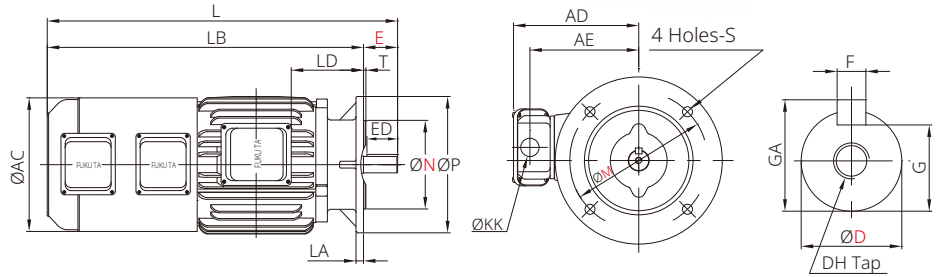


Fig.1

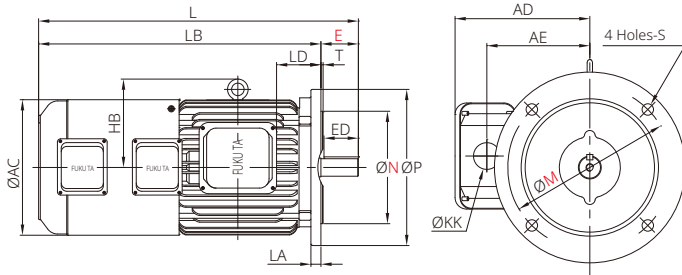


Fig.2

Specifications 規格					B5 Flange 尺寸										
Output (HP)				Frame No	Fig	AC	AD	AE	HB	KK	L	LA	LB	LD	M
2P	4P	6P	8P												
1/4	1/4	—	—	63	2	142	131	93	—	22	338	12	315	36	130
1/2	1/2	1/4	—	71	1	162	141	106	—	22	422.5	11.5	392.5	74	130
1	1	1/2	1/4	80	2	175	154.5	113.5	—	22	429	10	389	48.5	165
2, 3	2	1	1/2	90L	1	196	165	127	—	22	514	11	464	106	165
—	3	2	1	100L	2	219	176.5	135	141.5	28	513.5	16	453.5	71	215
5	5	3	2	112M	1	234	187	144.5	152.5	28	577.5	15	517.5	118	215
7.5, 10	7.5	5	3	132S	3	268	221.5	179	178	35	621	19	541	74.5	265
—	10	7.5	5	132M	3	268	221.5	179	178	35	659	19	579	93.5	265
15, 20	15	10	7.5	160M	4	319	253	211	215	35	768	20	658	128.5	300
25	20	15	10	160L	4	319	253	211	215	35	812	20	702	151	300
30	25,30	20	15	180M	4	355	302.5	243	239	52	806.5	20	696.5	151.5	350
40	40	25, 30	20	180L	4	355	302.5	243	239	52	844.5	20	734.5	170.5	350
50,60	50, 60	40, 50	25, 30	200L	4	395	332	274	264	65	937	20	797	188.5	400
—	75	60	40	225S	5	448.2	372	303	301.5	92	985.5	22	845.5	190	500
—	100	75	50	250S	5	498.1	455.7	366.5	323.6	92	1099.5	22	959.5	216	500
—	125	100	60	250M	5	498.1	455.7	366.5	323.6	92	1099.5	22	959.5	216	500

▪ Remark: 1.Tolerance of Shaft End Diameter "D": Ø11~Ø28: j6 Ø38~Ø48: k6 Ø55~Ø60:m6
2.Tolerance of Guidance Diameter "N": h7

Inverter Duty Motor
Iron-casting Frame, Flange Mounted.

T,V Series INVERTER DUTY MOTOR

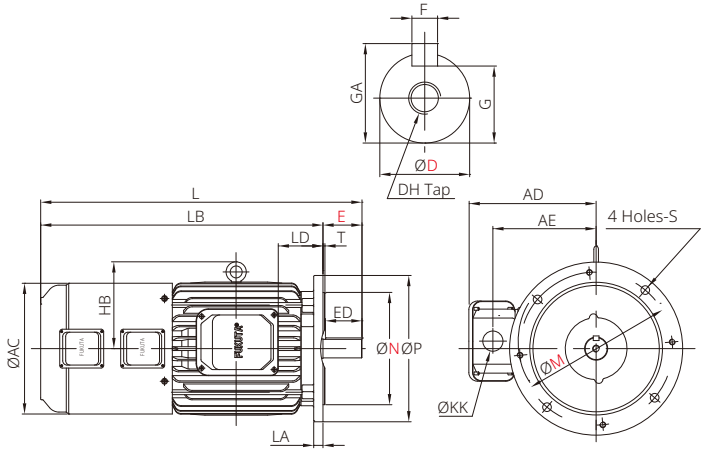


Fig.3

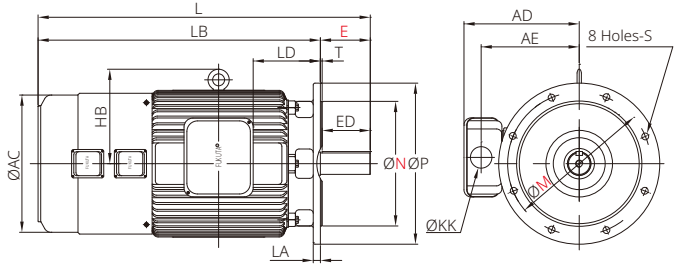


Fig.4

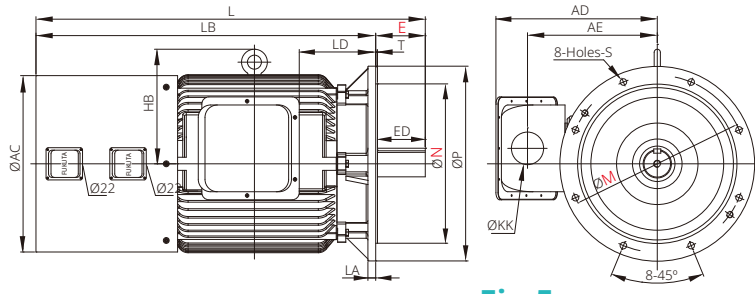


Fig.5

B5 Dimensions 尺寸				Shaft 出力軸尺寸									Wt. 重量	
N	P	S	T	Shaft End					Bearings		Flange mounted			
				D	E	ED	F	G	GA	DH		Load Side	Opposite	
110	160	10	3.0	11	23	18	4	8.5	12.5	M4*10	6201ZZ	6201ZZ	9	
110	160	10	3.5	14	30	25	5	11.0	16.0	M5*12.5	6202ZZ	6202ZZ	12	
130	200	12	3.5	19	40	35	6	15.5	21.5	M6*16	6204ZZ	6203ZZ	16	
130	200	12	3.5	24	50	45	8	20.0	27.0	M8*19	6205ZZ	6204ZZ	25	
180	250	15	3.5	28	60	55	8	24.0	31.0	M10*22	6206ZZ	6205ZZ	33	
180	250	15	4.0	28	60	55	8	24.0	31.0	M10*22	6306ZZ	6305ZZ	45	
230	300	15	4.0	38	80	75	10	33.0	41.0	M12*28	6308ZZ	6306ZZ	65	
230	300	15	4.0	38	80	75	10	33.0	41.0	M12*28	6308ZZ	6306ZZ	75	
250	350	19	5.0	42	110	105	12	37.0	45.0	M16*36	6309ZZ	6307ZZ	120	
250	350	19	5.0	42	110	105	12	37.0	45.0	M16*36	6309ZZ	6307ZZ	140	
300	400	19	5.0	48	110	105	14	42.5	51.5	M16*36	6311ZZ	6310ZZ	175/180	
300	400	19	5.0	55	110	105	16	49.0	59.0	M20*42	6312ZZ	6310ZZ	220	
450	550	18.5	5	65	140	135	18	58	69	M20*42	6315ZZC3	6213ZZC3	402	
450	550	18.5	5	75	140	135	20	67.5	79.5	M20*42	6316ZZC3	6313ZZC3	538	
450	550	18.5	5	75	140	135	20	67.5	79.5	M20*42	6316ZZC3	6313ZZC3	573	

由於對產品持續研發，故對於產品特性規格如有變動，本公司將不另行通知