

AE 臥式

| | | |
|------------|------------|------------|
| AEEF | AEEK | AEET |
| IE1 | IE3 | GB2 |

標準型感應電動機

Standard Induction Motor,
Iron-casting Frame,

► **Foot Mounted.**

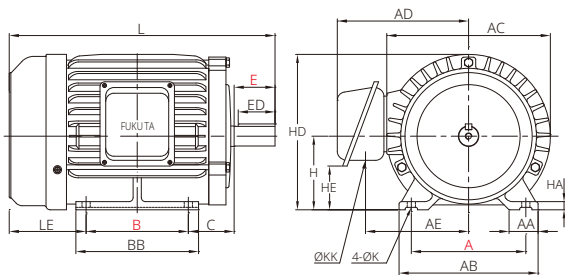
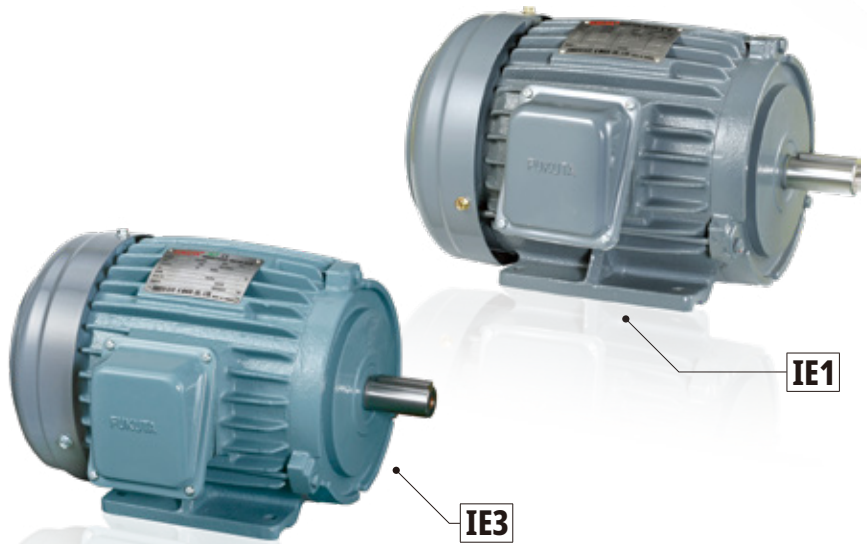


Fig.1

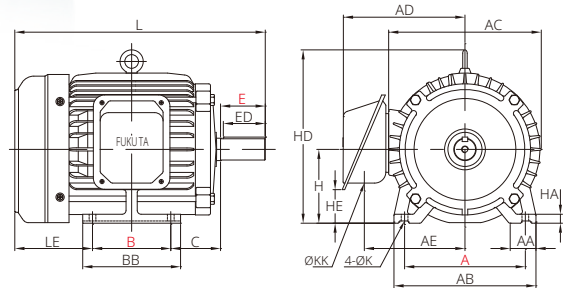


Fig.2

| Specifications 規格 | | | | | | B3 Dimensions 尺寸 | | | | | | | | | | | |
|-------------------|---------|--------|--------|----------|-----|------------------|------|-----|-------|-------|-------|-----|-----|-----|-----|------|-------|
| Output (HP) | | | | Frame No | Fig | A | AA | AB | AC | AD | AE | B | BB | C | H | HA | HD |
| 2P | 4P | 6P | 8P | | | | | | | | | | | | | | |
| 1/4 | 1/4 | — | — | 63 | 1 | 100 | 28 | 120 | 143 | 125 | 94 | 80 | 100 | 40 | 63 | 8 | 134 |
| 1/2 | 1/2 | 1/4 | — | 71 | 1 | 112 | 37.5 | 138 | 163.5 | 137.5 | 104 | 90 | 119 | 45 | 71 | 11 | 152 |
| 1 | 1 | 1/2 | 1/4 | 80 | 1 | 125 | 38 | 155 | 176 | 149 | 114.5 | 100 | 130 | 50 | 80 | 9 | 168 |
| 2, 3 | 2 | 1 | 1/2 | 90L | 1 | 140 | 35.5 | 170 | 200 | 160.5 | 126 | 125 | 150 | 56 | 90 | 10 | 190 |
| — | 3 | 2 | 1 | 100L | 2 | 160 | 45 | 196 | 217 | 177 | 135 | 140 | 175 | 63 | 100 | 12.5 | 243 |
| 5 | 5 | 3 | 2 | 112M | 2 | 190 | 45 | 224 | 238 | 187 | 145 | 140 | 175 | 70 | 112 | 14 | 265 |
| 7.5,10 | 7.5 | 5 | 3 | 132S | 2 | 216 | 46 | 254 | 273 | 221.5 | 180 | 140 | 175 | 89 | 132 | 16 | 310 |
| — | 10 | 7.5 | 5 | 132M | 2 | 216 | 46 | 254 | 273 | 221.5 | 180 | 178 | 213 | 89 | 132 | 16 | 310 |
| 15, 20 | 15 | 10 | 7.5 | 160M | 3 | 254 | 75 | 300 | 330 | 253 | 212 | 210 | 250 | 108 | 160 | 18 | 373 |
| 25 | 20 | 15 | 10 | 160L | 3 | 254 | 75 | 300 | 330 | 253 | 212 | 254 | 300 | 108 | 160 | 18 | 373 |
| 30 | 25, 30 | 20 | 15 | 180M | 3 | 279 | 80 | 355 | 381 | 300.5 | 243 | 241 | 297 | 121 | 180 | 20 | 421 |
| 40 | 40 | 25, 30 | 20 | 180L | 3 | 279 | 80 | 355 | 381 | 300.5 | 243 | 279 | 335 | 121 | 180 | 20 | 421 |
| 50,60 | 50, 60 | 40, 50 | 25, 30 | 200L | 3 | 318 | 80 | 398 | 421 | 331.5 | 273.5 | 305 | 350 | 133 | 200 | 24 | 469 |
| — | 75 | 60 | 40 | 225S | 3 | 356 | 94.5 | 453 | 467.5 | 391.5 | 316.8 | 286 | 354 | 149 | 225 | 30 | 515 |
| — | 100 | 75 | 50 | 250S | 4 | 406 | 104 | 501 | 513.5 | 473 | 355.9 | 311 | 425 | 168 | 250 | 37 | 573.5 |
| — | 125 | 100 | 60 | 250M | 4 | 406 | 104 | 501 | 513.5 | 473 | 355.9 | 349 | 425 | 168 | 250 | 37 | 573.5 |
| — | 150 | 125 | 75 | 280S | 5 | 457 | 110 | 560 | 627.5 | 606 | 455 | 368 | 445 | 190 | 280 | 36 | 706.5 |
| — | 175 | 150 | 100 | 280M | 5 | 457 | 110 | 560 | 627.5 | 606 | 455 | 419 | 496 | 190 | 280 | 36 | 706.5 |
| — | 215 | 175 | 125 | 315S | 5 | 508 | 115 | 615 | 627.5 | 606 | 455 | 406 | 490 | 216 | 315 | 40 | 743 |
| — | 250,270 | 215 | 150 | 315M | 5 | 508 | 115 | 615 | 627.5 | 606 | 455 | 457 | 540 | 216 | 315 | 40 | 743 |

▪ Remark : 1.Tolerance of Shaft End Diameter “D” : Ø11~Ø28: j6 Ø38~Ø48: k6 Ø55~Ø95: m6
2.Tolerance of Shaft Center Height “H” : +0 ~ - 0.5 280S~315M” H” : +0 ~ - 1

Standard Induction Motor
Iron-casting Frame, Foot Mounted.

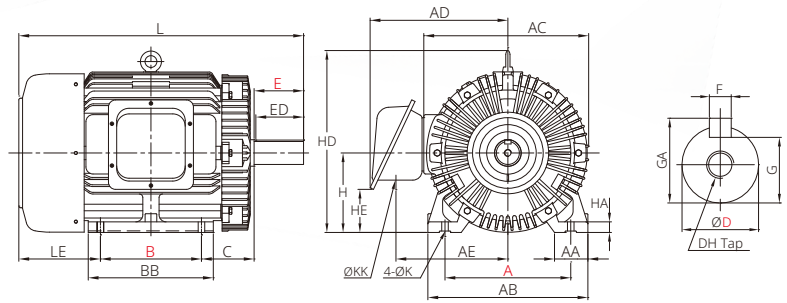


Fig.3

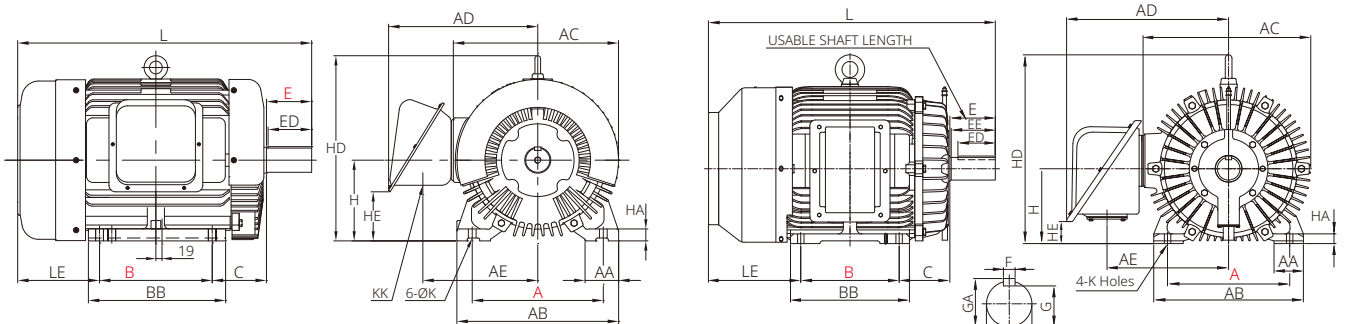


Fig.4

Fig.5

| B3 Dimensions 尺寸 | | | | | Shaft 出力軸尺寸 | | | | | | | | | | Wt. 重量 | | | |
|------------------|------|----|--------|-------|-------------|-----|-----|-----|----|------|------|---------|-----------|----------|--------------|---------|--|--|
| HE | K | KK | L | LE | Shaft End | | | | | | | | Bearings | | Foot mounted | | | |
| | | | | | D | E | ED | EE | F | G | GA | DH | Load Side | Opposite | IE1 | IE3 | | |
| 30 | 7 | 22 | 222 | 79 | 11 | 23 | 18 | — | 4 | 8.5 | 12.5 | M4*10 | 6201ZZ | 6201ZZ | 9 | — | | |
| 38.2 | 7 | 22 | 240.5 | 75.5 | 14 | 30 | 25 | — | 5 | 11.0 | 16.0 | M5*12.5 | 6202ZZ | 6202ZZ | 11 | — | | |
| 51 | 10 | 22 | 273 | 83 | 19 | 40 | 35 | — | 6 | 15.5 | 21.5 | M6*16 | 6204ZZ | 6203ZZ | 15 | 18 | | |
| 53.5 | 10 | 22 | 325 | 94 | 24 | 50 | 45 | — | 8 | 20.0 | 27.0 | M8*19 | 6205ZZ | 6204ZZ | 22 | 26 | | |
| 62 | 12 | 28 | 367 | 104 | 28 | 60 | 55 | — | 8 | 24.0 | 31.0 | M10*22 | 6206ZZ | 6205ZZ | 30 | 39 | | |
| 65 | 12 | 28 | 388 | 118 | 28 | 60 | 55 | — | 8 | 24.0 | 31.0 | M10*22 | 6306ZZ | 6305ZZ | 40 | 47 | | |
| 60 | 12 | 35 | 448 | 139 | 38 | 80 | 75 | — | 10 | 33.0 | 41.0 | M12*28 | 6308ZZ | 6306ZZ | 60 | 68 | | |
| 60 | 12 | 35 | 486 | 139 | 38 | 80 | 75 | — | 10 | 33.0 | 41.0 | M12*28 | 6308ZZ | 6306ZZ | 70 | 75 | | |
| 75 | 14.5 | 35 | 612 | 184 | 42 | 110 | 105 | — | 12 | 37 | 45 | M16*36 | 6309ZZ | 6307ZZ | 115 | 124 | | |
| 75 | 14.5 | 35 | 656 | 184 | 42 | 110 | 105 | — | 12 | 37.0 | 45.0 | M16*36 | 6309ZZ | 6307ZZ | 135 | 146 | | |
| 90 | 14.5 | 52 | 670 | 198 | 48 | 110 | 105 | — | 14 | 42.5 | 51.5 | M16*36 | 6311ZZ | 6310ZZ | 170/180 | 187/197 | | |
| 90 | 14.5 | 52 | 707.5 | 197.5 | 55 | 110 | 105 | — | 16 | 49.0 | 59.0 | M20*42 | 6312ZZ | 6310ZZ | 210 | 217 | | |
| 94.8 | 18.5 | 65 | 803 | 225 | 60 | 140 | 135 | — | 18 | 53.0 | 64.0 | M20*42 | 6313ZZ | 6212ZZ | 280/310 | 300/330 | | |
| 122 | 18.5 | 92 | 811 | 236 | 65 | 140 | 135 | — | 18 | 58.0 | 69.0 | M20*42 | 6315ZZC3 | 6213ZZC3 | 360 | 367 | | |
| 152 | 24 | 92 | 912.5 | 293.5 | 75 | 140 | 135 | — | 20 | 67.5 | 79.5 | M20*42 | 6316ZZC3 | 6313ZZC3 | 513 | 560 | | |
| 152 | 24 | 92 | 912.5 | 255.5 | 75 | 140 | 135 | — | 20 | 67.5 | 79.5 | M20*42 | 6316ZZC3 | 6313ZZC3 | 552 | 570 | | |
| 82 | 24 | — | 1103.5 | 375.5 | 85 | 170 | 140 | 157 | 22 | 76 | 90 | — | NU320C3 | 6316 | — | — | | |
| 82 | 24 | — | 1154.5 | 375.5 | 85 | 170 | 140 | 157 | 22 | 76 | 90 | — | NU320C3 | 6316 | — | — | | |
| 117 | 28 | — | 1191 | 399 | 95 | 170 | 140 | 157 | 25 | 86 | 100 | — | NU320C3 | 6316 | — | — | | |
| 117 | 28 | — | 1242 | 399 | 95 | 170 | 140 | 157 | 25 | 86 | 100 | — | NU320C3 | 6316 | — | — | | |

■由於對產品持續研發，故對於產品特性規格如有變動，本公司將不另行通知