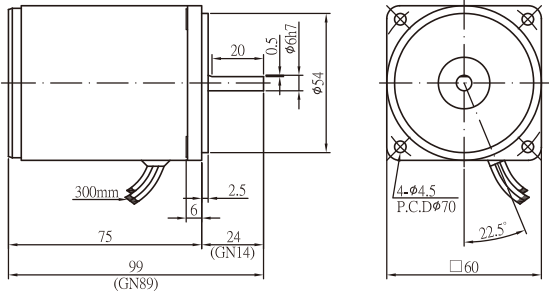


## IK Series INDUCTION MOTOR, LEAD-WIRE TYPE-IP22

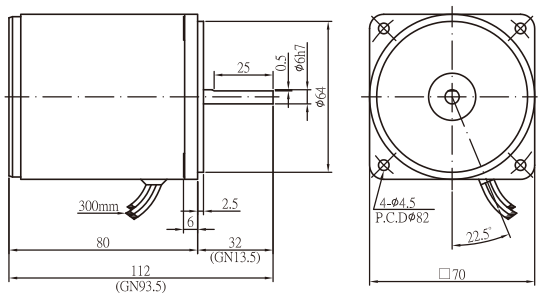
感應式馬達 導線式-防護等級IP22

- 外形圖與規格表
- OUTLINE & SPECIFICATION
- 單位/UNIT : mm



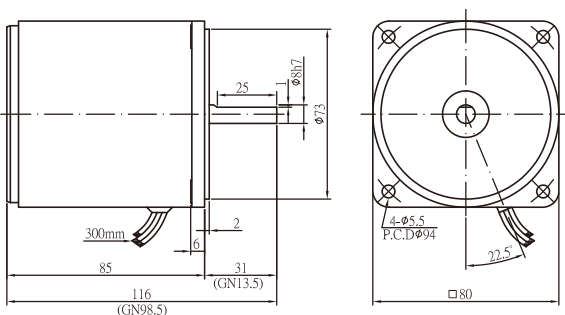
6W外型圖

6W機型MODEL	出力(W) OUTPUT	電壓(V) VOLTAGE	頻率(HZ) FREQ.	極數(P) POLE	額定轉數(rpm) RATED SPEED	額定時間 RATED TIME	起動轉矩(Kg.cm) STARTING TORQUE	額定轉矩(Kg.cm) RATED TORQUE	額定電流(A) RATED CURRENT	電容量(μF) CAPACITOR
2IK6A(GN)-A	6	1ø100/110	50/60	4	1150/1400	連續Continuous	0.7/0.63	0.51/0.41	0.22/0.21	2.5/300V
2IK6A(GN)-C	6	1ø200/220	50/60	4	1150/1550	連續Continuous	0.65/0.7	0.51/0.54	0.1/0.1	0.7/450V
2IK6A(GN)-CE	6	1ø230/240	50	4	1100/1200	連續Continuous	0.74/0.77	0.55/0.5	0.11/0.1	0.7/450V



15W外型圖

15W機型MODEL	出力(W) OUTPUT	電壓(V) VOLTAGE	頻率(HZ) FREQ.	極數(P) POLE	額定轉數(rpm) RATED SPEED	額定時間 RATED TIME	起動轉矩(Kg.cm) STARTING TORQUE	額定轉矩(Kg.cm) RATED TORQUE	額定電流(A) RATED CURRENT	電容量(μF) CAPACITY
3IK15A(GN)-A	15	1ø100/110	50/60	4	1200/1600	連續Continuous	0.88/1.04	1.22/0.91	0.36/0.35	5/300V
3IK15A(GN)-C	15	1ø200/220	50/60	4	1150/1600	連續Continuous	0.75/1.1	1.12/0.93	0.18/0.18	1.2/450V
3IK15A(GN)-CE	15	1ø230/240	50	4	1300/1300	連續Continuous	1.06/1.06	1.14/1.13	0.17/0.17	1.2/450V



25W外型圖

25W機型MODEL	出力(W) OUTPUT	電壓(V) VOLTAGE	頻率(HZ) FREQ.	極數(P) POLE	額定轉數(rpm) RATED SPEED	額定時間 RATED TIME	起動轉矩(Kg.cm) STARTING TORQUE	額定轉矩(Kg.cm) RATED TORQUE	額定電流(A) RATED CURRENT	電容量(μF) CAPACITY
4IK25A(GN)-A	25	1ø100/110	50/60	4	1250/1600	連續Continuous	1.4/1.4	1.93/1.51	0.57/0.45	6/300V
4IK25A(GN)-C	25	1ø200/220	50/60	4	1250/1600	連續Continuous	1.57/1.38	1.91/1.52	0.28/0.25	1.5/450V
4IK25A(GN)-CE	25	1ø230/240	50	4	1300/1300	連續Continuous	1.38/1.55	1.9/1.86	0.25/0.24	1.5/450V
4IK25A(GN)-S	25	3ø220	50/60	4	1300/1550	連續Continuous	5.12/4.04	1.89/1.56	0.22/0.19	-
4IK25A(GN)-U	25	3ø380	50/60	4	1200/1350	連續Continuous	3.96/2.97	2.04/1.79	0.11/0.11	-

泛用型馬達  
GENERAL PURPOSE MOTOR

速度控制型馬達  
SPEED CONTROLLED MOTOR

控制器  
CONTROLLER

煞車馬達  
BRAKE MOTOR

離合煞車馬達  
CLUTCH BRAKE MOTOR

轉矩馬達  
TORQUE MOTOR

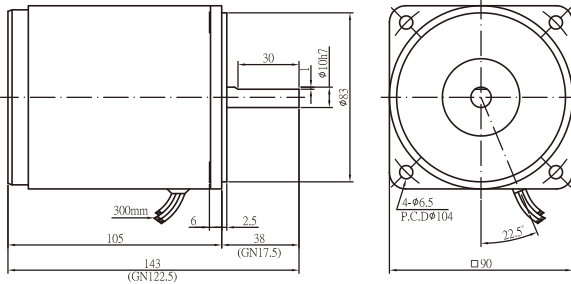
減速機  
SPEED REDUCER

零組件類  
COMPONENTS

# IK Series INDUCTION MOTOR, LEAD-WIRE TYPE-IP22

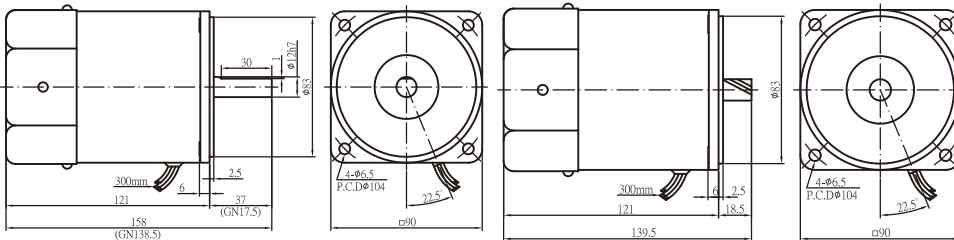
感應式馬達 導線式-防護等級IP22

- 外形圖與規格表
- OUTLINE & SPECIFICATION
- 單位/UNIT : mm



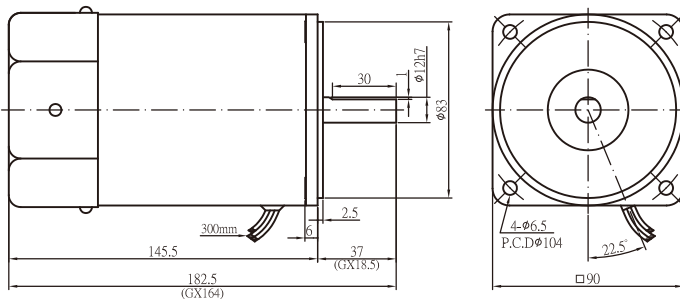
40W外型圖

40W機型MODEL	出力(W) OUTPUT	電壓(V) VOLTAGE	頻率(HZ) FREQ.	極數(P) POLE	額定轉數(rpm) RATED SPEED	額定時間 RATED TIME	起動轉矩(Kg.cm) STARTING TORQUE	額定轉矩(Kg.cm) RATED TORQUE	額定電流(A) RATED CURRENT	電容量(μF) CAPACITY
5IK40A(GN)-A	40	1φ100/110	50/60	4	1250/1600	連續Continuous	2.14/2.66	3.17/2.41	0.87/0.76	10/300V
5IK40A(GN)-C	40	1φ200/220	50/60	4	1300/1650	連續Continuous	1.75/2.17	3.01/2.35	0.4/0.34	2.5/450V
5IK40A(GN)-CE	40	1φ230/240	50	4	1350/1350	連續Continuous	2.3/2.58	2.87/2.84	0.32/0.32	2.5/450V
5IK40A(GN)-S	40	3φ220	50/60	4	1400/1600	連續Continuous	10.51/7.83	2.83/2.4	0.29/0.27	-
5IK40A(GN)-U	40	3φ380	50/60	4	1350/1600	連續Continuous	9.25/6.68	2.85/2.45	0.16/0.15	-



60W/  
60W-GX外型圖

60W/60W-GX機型MODEL	出力(W) OUTPUT	電壓(V) VOLTAGE	頻率(HZ) FREQ.	極數(P) POLE	額定轉數(rpm) RATED SPEED	額定時間 RATED TIME	起動轉矩(Kg.cm) STARTING TORQUE	額定轉矩(Kg.cm) RATED TORQUE	額定電流(A) RATED CURRENT	電容量(μF) CAPACITY
5IK60A(GN, GX)-AF	60	1φ100/110	50/60	4	1200/1650	連續Continuous	2.6/2.94	5.0/3.5	1.8/1.12	16/300V
5IK60A(GN, GX)-CF	60	1φ200/220	50/60	4	1250/1600	連續Continuous	3.62/4.41	4.64/3.63	0.64/0.54	4/450V
5IK60A(GN, GX)-CEF	60	1φ230/240	50	4	1300/1350	連續Continuous	4.14/5.22	4.56/4.4	0.56/0.55	4/450V
5IK60A(GN, GX)-SF	60	3φ220	50/60	4	1300/1550	連續Continuous	13.72/10.70	4.47/3.77	0.41/0.39	-
5IK60A(GN, GX)-UF	60	3φ380	50/60	4	1400/1550	連續Continuous	14.33/10.15	4.2/3.79	0.21/0.22	-



90W外型圖

90W機型MODEL	出力(W) OUTPUT	電壓(V) VOLTAGE	頻率(HZ) FREQ.	極數(P) POLE	額定轉數(rpm) RATED SPEED	額定時間 RATED TIME	起動轉矩(Kg.cm) STARTING TORQUE	額定轉矩(Kg.cm) RATED TORQUE	額定電流(A) RATED CURRENT	電容量(μF) CAPACITY
5IK90A(GX)-AF	90	1φ100/110	50/60	4	1300/1650	連續Continuous	4.76/5.86	6.68/5.33	1.5/1.41	22/250V
5IK90A(GX)-CF	90	1φ200/220	50/60	4	1300/1650	連續Continuous	4.3/4.21	6.7/5.34	0.76/0.72	6/450V 5/450V
5IK90A(GX)-CEF	90	1φ230/240	50	4	1350/1350	連續Continuous	4.93/5.08	6.44/6.42	0.66/0.68	5/450V
5IK90A(GX)-SF	90	3φ220	50/60	4	1400/1650	連續Continuous	23.3/18.25	6.4/5.3	0.7/0.6	-
5IK90A(GX)-UF	90	3φ380	50/60	4	1400/1650	連續Continuous	23.3/18.14	6.3/5.3	0.4/0.34	-

Products due to human error, natural disasters or other factors lead to poor or damaged, will not be covered under warranty. 產品因人為原因或天災等因素導致不良或損壞, 不在保固範圍內。