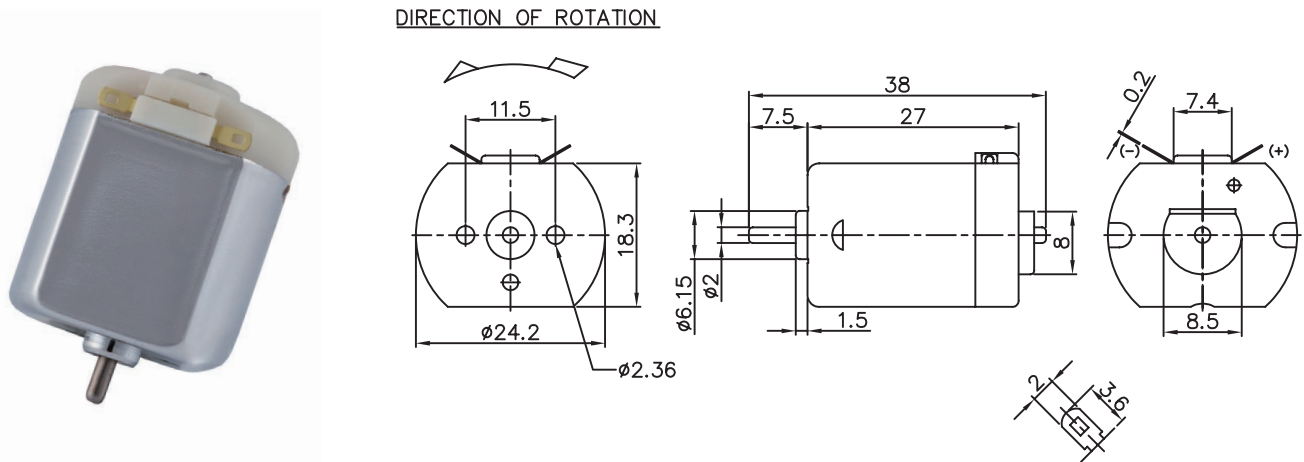


Application : Hair Dryer 、 Central Locks 、 Automatic Soap Dispenser

用途：吹風機、中控鎖、自動給皂機



MODEL	VOLTAGE		NO LOAD		AT MAXIMUM EFFICIENCY					STALL			
	OPERATING RANGE	NOMNAL	SPEED	CURRENT	SPEED	CURRENT	TORQUE	OUTPUT	EFF	CURRENT	TORQUE		
			rpm	A	rpm	A	g-cm	mN-m	W	%	A	g-cm	mN-m
UC-260-18160-NR	3.0 - 9.0	6.0V CONSTANT	9500	0.16	7380	0.53	20	1.96	1.52	48	2.05	99	9.71
UC-260S-09400-NR	12.0 - 24.0	12.0V CONSTANT	6000	0.07	4520	0.15	17	1.66	0.80	44	0.45	70	6.86
UC-260S-2665P-R	3.0 - 6.0	4.5V CONSTANT	14000	0.32	10893	1.82	40	3.92	4.48	55	6.76	174	17.06
UC-260S-12300P-R	12.0 - 24.0	24.0V CONSTANT	16500	0.10	13021	0.43	45	4.44	6.06	58	1.79	235	23.04

馬達的出軸長度及性能參數，EMC 對策可依客人要求做調整，詳情可詢問相關業務人員。
Please inquire your sales representative for output, performance and EMC solution.

