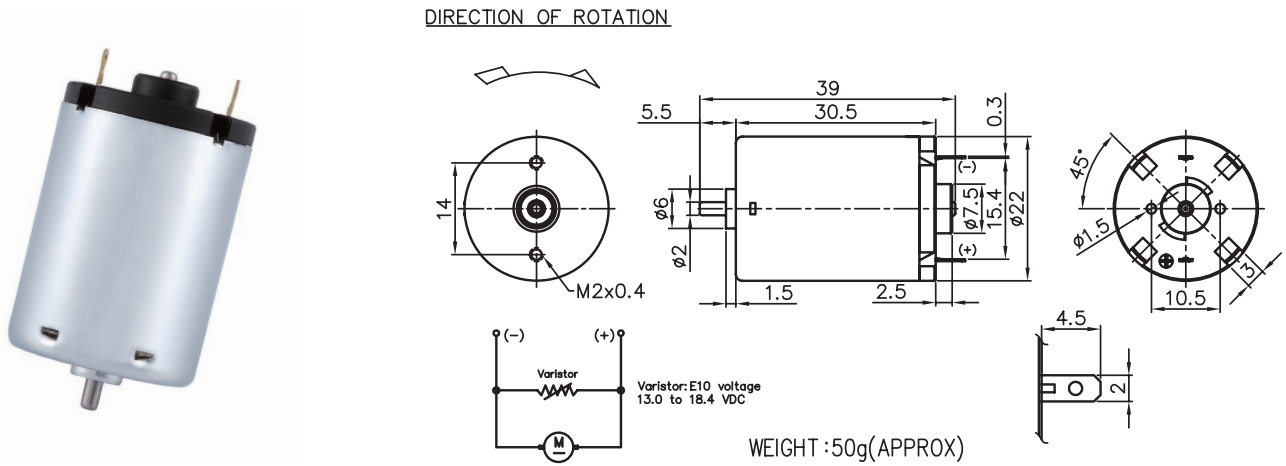


RK-250

Carbon-brush motors

Application : Electric Curtains 、 Mobile Relay Station

用途：電動窗簾、基站



MODEL	VOLTAGE		NO LOAD		AT MAXIMUM EFFICIENCY					STALL			
	OPERATING RANGE	NOMNAL	SPEED rpm	CURRENT A	SPEED rpm	CURRENT A	TORQUE g-cm	OUTPUT mN-m	EFF W	%	CURRENT A	TORQUE g-cm	TORQUE mN-m
RK-250SB-16215-R	6.0 - 18.0	9.0V CONSTANT	6000	0.14	4798	0.36	39.86	3.82	1.96	63	1.55	208	20.39
RK-250CB-16135-R	6.0 - 18.0	6.0V CONSTANT	7500	0.17	5605	0.46	26.90	2.64	1.55	56	1.62	115	11.27
RK-250VC-11360-R	12.0 - 28.0	24.0V CONSTANT	9000	0.08	7174	0.23	49.27	4.83	3.63	65	1.19	303	29.71
RK-250VC-16180-R	4.5 - 15.0	12.0V CONSTANT	9000	0.15	7321	0.47	45.40	4.45	3.41	65	2.49	306	30.00

馬達的出軸長度及性能參數，EMC 對策可依客人要求做調整，詳情可詢問相關業務人員。
Please inquire your sales representative for output, performance and EMC solution.

