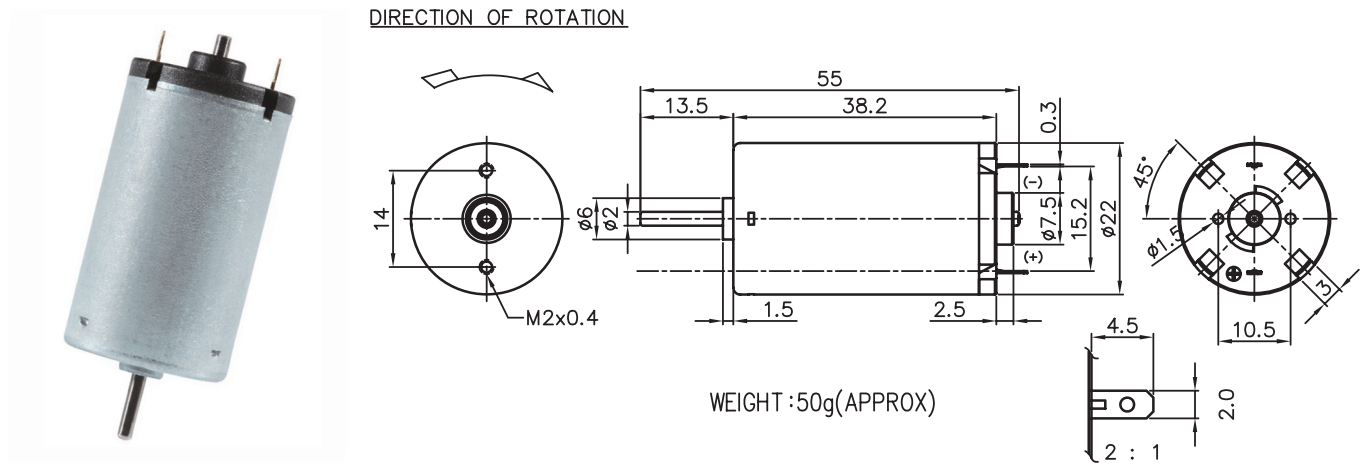


# RK-L250

Application : Electric Curtains 、 Electrical Tin Opener

用途：電動窗簾、電動開罐器



MODEL	VOLTAGE		NO LOAD		AT MAXIMUM EFFICIENCY						STALL		
	OPERATING RANGE	NOMNAL	SPEED	CURRENT	SPEED	CURRENT	TORQUE	OUTPUT	EFF	CURRENT	TORQUE		
			rpm	A	rpm	A	g-cm	mN-m	W	%	A	g-cm	mN-m
RK-L250-08590-R	14.0 - 30.0	24.0V CONSTANT	4000	0.038	3067	0.088	34.45	3.38	1.09	54.18	0.31	158	15.49
RK-L250-12310-R	12.0 - 30.0	24.0V CONSTANT	7500	0.080	5938	0.254	60.61	5.94	3.70	61.63	1.20	355	34.80
RK-L250-16210-R	6.0 - 24.0	12.0V CONSTANT	5200	0.100	4474	0.337	54.71	5.36	2.51	65.57	1.55	309	30.29
RK-L250VBC-18185-R	6.0 - 18.0	12.0V CONSTANT	6000	0.105	5071	0.359	54.06	5.30	2.81	68.98	2.07	377	36.96

馬達的出軸長度及性能參數，EMC 對策可依客人要求做調整，詳情可詢問相關業務人員。  
Please inquire your sales representative for output, performance and EMC solution.

