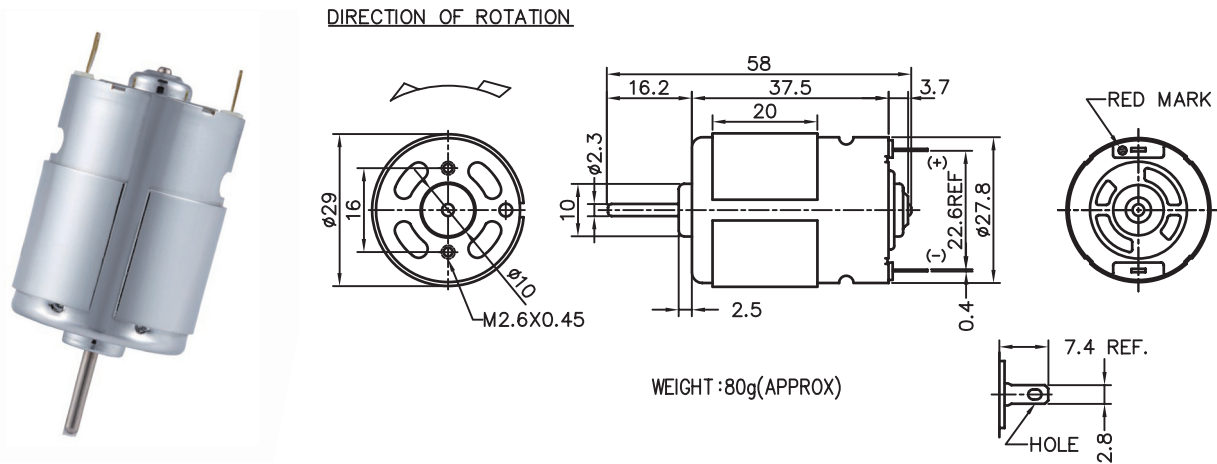


Application : Printer 、 Copy Machine 、 Vacuum Robot

用途 : 印表機、影印機、智能吸塵機器人



MODEL	VOLTAGE		NO LOAD		AT MAXIMUM EFFICIENCY						STALL		
	OPERATING RANGE	NOMNAL	SPEED rpm	CURRENT A	SPEED rpm	CURRENT A	TORQUE g-cm	OUTPUT mN-m	EFF W	EFF %	CURRENT A	TORQUE g-cm	TORQUE mN-m
LP5FN-12200-R	12.0-36.0	24.0V CONSTANT	5600	0.07	4554	0.20	63	6.18	2.96	65	0.93	376	36.86
LP5FN-15150-R	9.0-24.0	12.0V CONSTANT	3600	0.08	3078	0.23	51	5.00	1.63	63	1.11	322	31.57
LS5FN-15145-R	9.0-24.0	12.0V CONSTANT	4300	0.06	3400	0.26	49	4.80	1.73	57	1.04	255	25.00
LS5FN-16120-R	12.0-32.0	24.0V CONSTANT	9700	0.08	8200	0.46	82	8.04	7.01	66	2.61	570	55.88

馬達的出軸長度及性能參數，EMC 對策可依客人要求做調整，詳情可詢問相關業務人員。
Please inquire your sales representative for output, performance and EMC solution.

