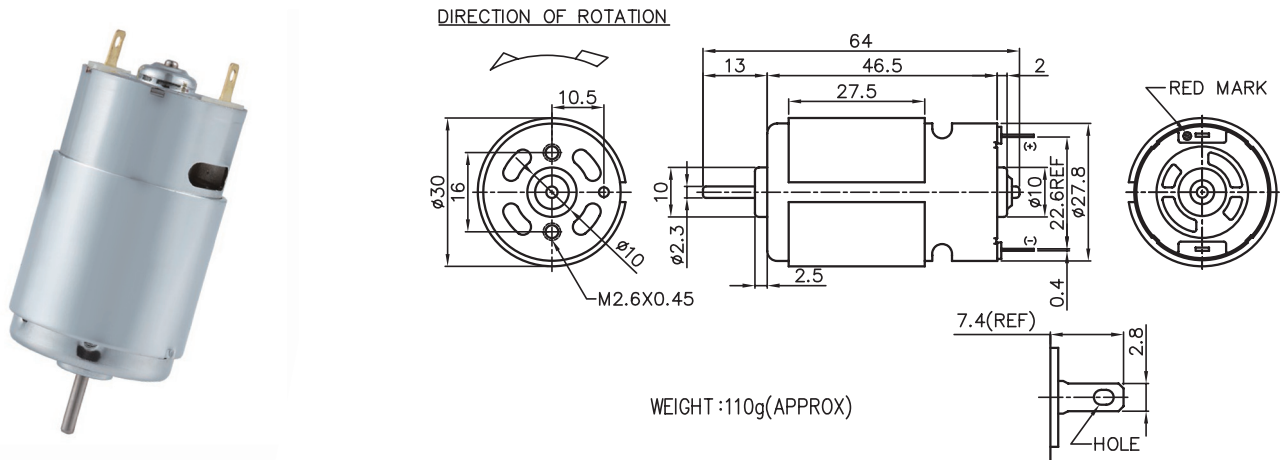


Application : Figurine 、 Drill & Screwdriver 、 Air Pump

用途 : 模型、電動工具、氣泵



MODEL	VOLTAGE		NO LOAD		AT MAXIMUM EFFICIENCY					STALL			
	OPERATING RANGE	NOMNAL	SPEED	CURRENT	SPEED	CURRENT	TORQUE	OUTPUT	EFF	CURRENT	TORQUE		
			rpm	A	rpm	A	g-cm	mN-m	W	%	A	g-cm	mN-m
JD3FN-5025-R	4.8 - 9.6	9.6V CONSTANT	25500	1.40	21800	7.75	230	22.55	51.68	70	47.75	1673	164.02
JD3FN-5518-R	3.6 - 6.0	6.0V CONSTANT	20800	1.20	17600	8.76	209	20.49	37.98	72	50.84	1371	134.41
JD3FN-4036-R	6.0 - 12.0	12.0V CONSTANT	21200	0.75	17986	4.77	289	28.33	42.22	75	28.77	1598	156.67
JD3FN-6512-R	2.4 - 3.6	3.6V CONSTANT	20000	2.00	16340	8.89	113	11.08	18.89	59	40.05	626	61.37

馬達的出軸長度及性能參數，EMC 對策可依客人要求做調整，詳情可詢問相關業務人員。
Please inquire your sales representative for output, performance and EMC solution.

