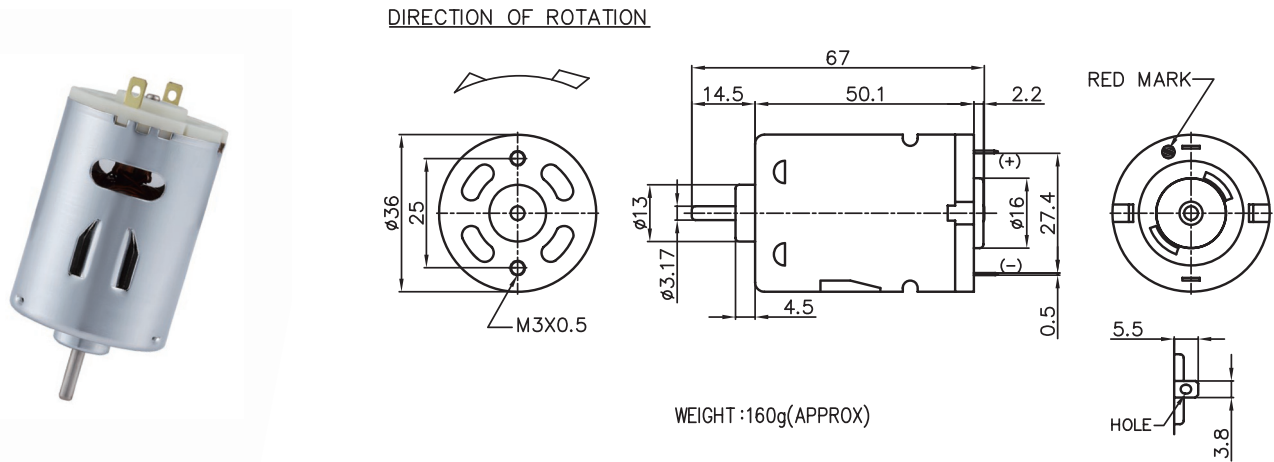


Application : Vacuum Cleaner 、 Drill & Screwdriver 、 Pump 、 Coffee Machine

用途：吸塵器、電動工具、泵浦、咖啡機



MODEL	VOLTAGE		NO LOAD		AT MAXIMUM EFFICIENCY						STALL		
	OPERATING RANGE	NOMNAL	SPEED	CURRENT	SPEED	CURRENT	TORQUE	OUTPUT	EFF	CURRENT	TORQUE		
			rpm	A	rpm	A	g-cm	mN-m	W	%	A	g-cm	mN-m
HS5N-4525-R	6.0 - 12.0	6.0V CONSTANT	8700	1.00	6800	3.30	190	18.63	13.25	66	12.10	880	86.27
HDL5N-25115-R	12.0 - 24.0	24.0V CONSTANT	6200	0.16	5405	0.85	263	25.78	14.60	74	4.74	1698	165.59
HP5N-20120-R	12.0 - 24.0	12.0V CONSTANT	3100	0.12	2300	0.47	129	12.65	3.17	56	1.79	612	60.00
HS5N-22100-R	12.0 - 24.0	24.0V CONSTANT	7500	0.20	6693	0.56	148	14.51	10.22	77	4.63	1417	138.92

馬達的出軸長度及性能參數，EMC 對策可依客人要求做調整，詳情可詢問相關業務人員。  
Please inquire your sales representative for output, performance and EMC solution.

