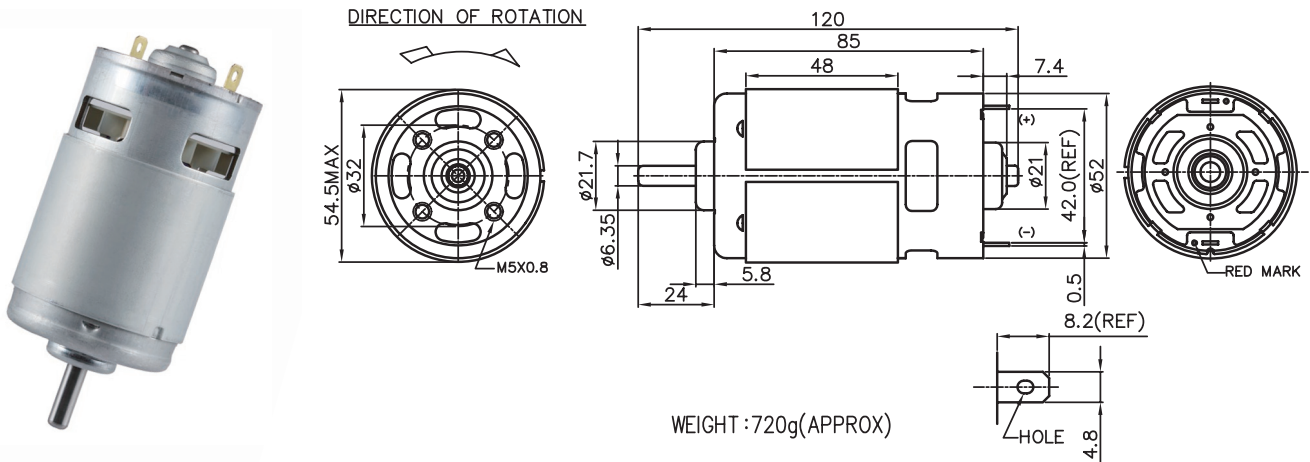


Application : Drill & Screwdriver 、 Electric Gate 、 Lawn Mower 、 Pool Clean Robot

用途：電動工具、電動門、智能割草機、水底吸塵機



MODEL	VOLTAGE		NO LOAD		AT MAXIMUM EFFICIENCY						STALL		
	OPERATING RANGE	NOMINAL	SPEED rpm	CURRENT A	SPEED rpm	CURRENT A	TORQUE g-cm	OUTPUT mN-m	EFF W	%	CURRENT A	TORQUE g-cm	mN-m
997-5036-R	18.0 - 48.0	24.0V CONSTANT	4900	0.42	4198	2.79	1197	117.35	51.60	79.67	25.95	12350	1211
997-7018-R	6.0 - 36.0	12.0V CONSTANT	4900	1.40	4182	5.40	1168	114.51	50.16	78.44	48.12	11499	1127
997-5030-RC-NF	12.0 - 36.0	24.0V CONSTANT	5800	0.65	5165	2.84	1022	100.20	54.21	80.00	26.65	10623	1041
997B-5015x2TF-R	24.0 - 40.0	40.0V CONSTANT	19500	2.50	17361	13.94	2634	258.24	469.62	85.00	110.79	23373	2291

馬達的出軸長度及性能參數，EMC 對策可依客人要求做調整，詳情可詢問相關業務人員。
Please inquire your sales representative for output, performance and EMC solution.

