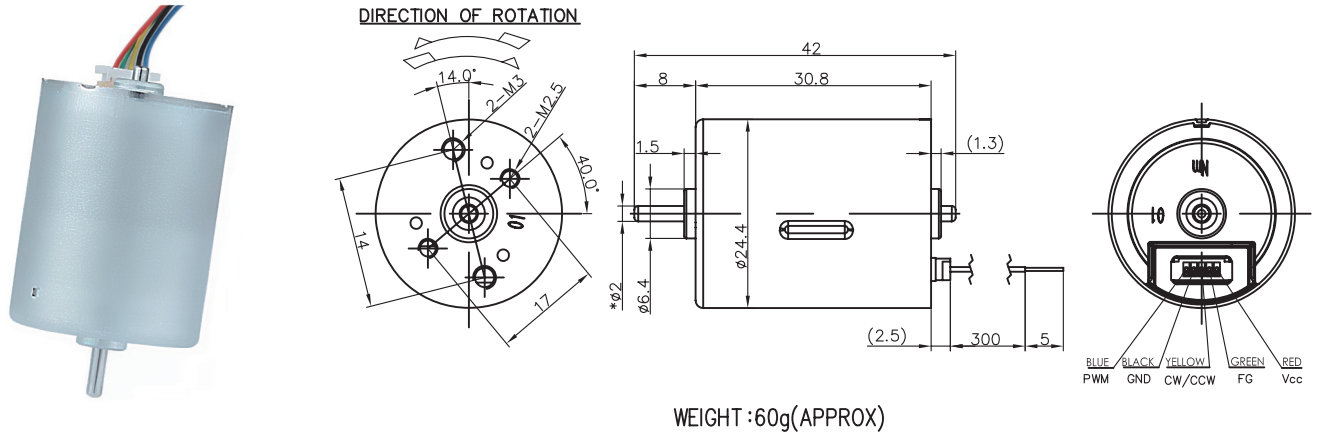


BL2430

Brushless DC Motor

Application : Power Tools 、5G antenna 、Smart Home Products, Vacuum Robot

用途 : 電動工具、5G 天線、智慧家居、智能吸塵機器人



MODEL	VOLTAGE		NO LOAD		AT MAXIMUM EFFICIENCY					STALL			
	OPERATING RANGE	NOMINAL	SPEED rpm	CURRENT A	SPEED rpm	CURRENT A	TORQUE g-cm	TORQUE mN-m	OUTPUT W	EFF %	CURRENT A	TORQUE g-cm	TORQUE mN-m
BL2430B-9V6.2K3W-C1Y0P	9.0-16.0	9.0V CONSTANT	6150	0.12	4990	0.48	52.6	5.20	2.70	64	2.0	280	27.5
BL2430B-32V13.5K8W-B1X0N	9.0-34.0	32.0V CONSTANT	13500	0.10	10930	0.60	123.0	12.10	13.80	72	2.8	660	67.4

馬達的出軸長度及性能參數，EMC 對策可依客人要求做調整，詳情可詢問相關業務人員。
Please inquire your sales representative for output, performance and EMC solution.

