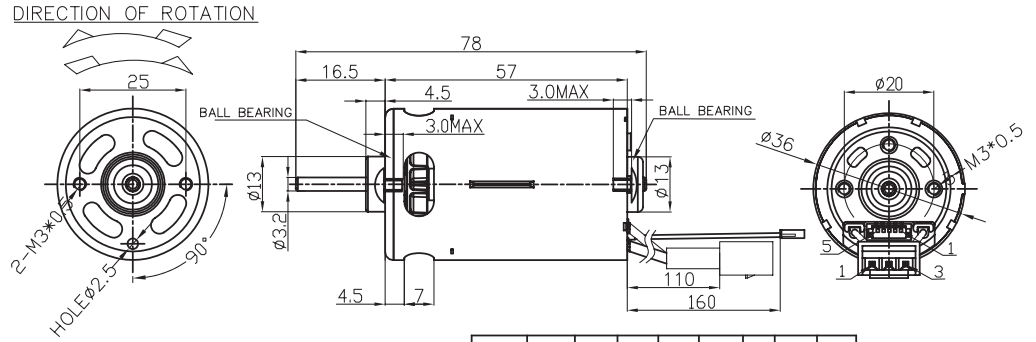


# BL3657S

Brushless DC Motor

Application : Vacuum Cleaner 、 Medical Respirator

用途 : 吸塵器、呼吸機



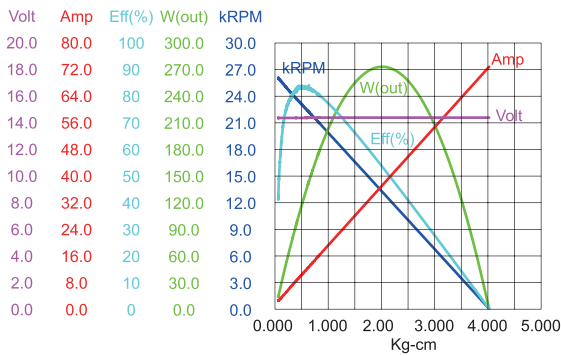
WEIGHT : 260g (APPROX)

NO.	1	2	3	1	2	3	4	5
WIRE	U	V	W	+5V	Hc	Hb	Ha	Gnd
COLOR	Grey	Brown	White	Red	Green	Blue	Yellow	Black
Type	UL3135	18AWG		UL1007	26AWG			

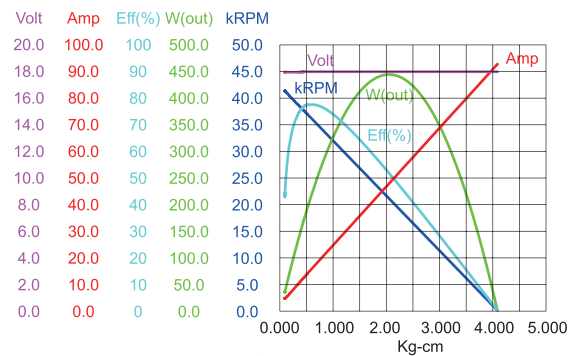
MODEL	VOLTAGE		NO LOAD		AT MAXIMUM EFFICIENCY					STALL			
	OPERATING RANGE	NOMINAL	SPEED	CURRENT	SPEED	CURRENT	TORQUE	OUTPUT	EFF	CURRENT	TORQUE		
			rpm	A	rpm	A	Kg-cm	N-m	W	%	A	Kg-cm	N-m
BL3657S-14.4V26.8K140W-B1X0N	12.0-36.0	14.0V CONSTANT	26400	1.26	22321	12.45	0.63	0.06	144.18	84	73.03	4.04	0.40
BL3657S-18V43K190W-B1X0N	12.0-36.0	18.0V CONSTANT	42300	2.00	37037	14.13	0.52	0.05	197.78	78	93.06	4.10	0.40
BL3657S-24V15K60W-B1X0N	12.0-36.0	24.0V CONSTANT	15000	0.24	13423	2.89	0.41	0.04	56.24	83	23.32	3.53	0.35
BL3657S-36V19K100W-B1X0N	12.0-36.0	36.0V CONSTANT	19300	0.30	17391	3.01	0.54	0.05	96.26	90	24.25	4.88	0.48

馬達的出軸長度及性能參數，EMC 對策可依客人要求做調整，詳情可詢問相關業務人員。  
Please inquire your sales representative for output, performance and EMC solution.

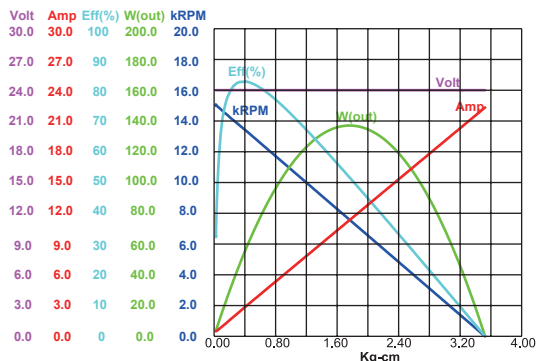
BL3657S-14.4V26.8K140W-B1X0N 14.4V



BL3657S-18V43K190W-B1X0N 18.0V



BL3657S-24V15K60W-B1X0N 24.0V



BL3657S-36V19K100W-B1X0N 36.0V

