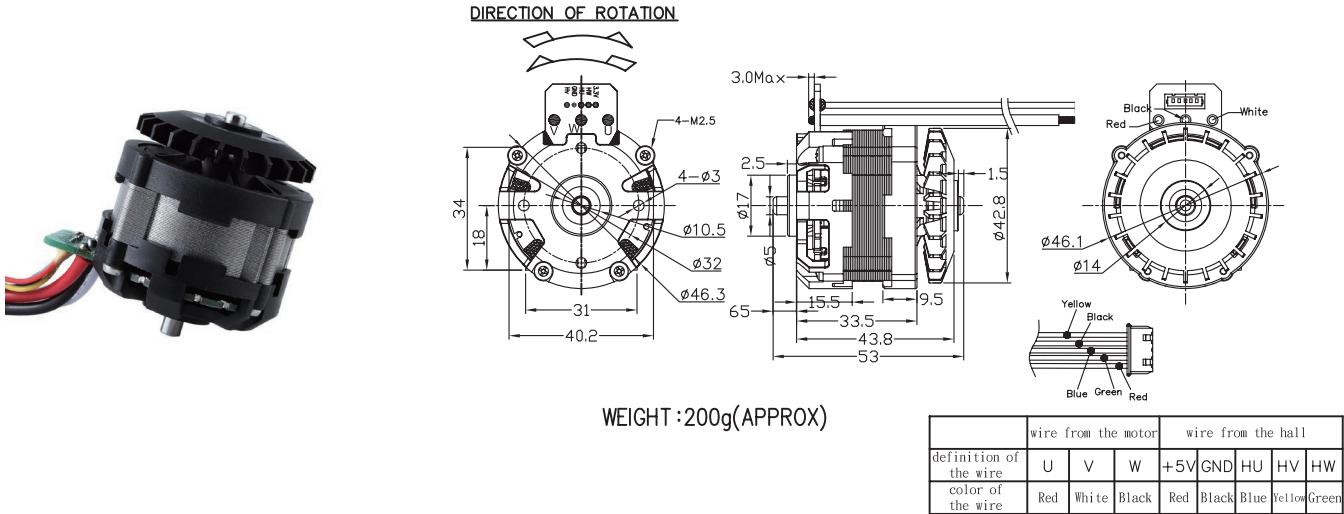


BL4244

Brushless DC Motor

Application : Power Tools

用途：電動工具



MODEL	VOLTAGE		NO LOAD		AT MAXIMUM EFFICIENCY					STALL			
	OPERATING RANGE	NOMINAL	SPEED	CURRENT	SPEED	CURRENT	TORQUE	OUTPUT	EFF	CURRENT	TORQUE		
			rpm	A	rpm	A	g-cm	mN-m	W	%	A	g-cm	mN-m
BL4244S-18V21K160W-B1X0N	12.0-24.0	18.0V CONSTANT	20500	1.74	17986	12.55	906	88.82	167.35	80	95.54	7645	749.51
BL4244S-18V26K230W-B1X0N	12.0-24.0	18.0V CONSTANT	26200	3.30	22371	18.75	1208	118.43	236.17	75	117.33	7570	742.16

馬達的出軸長度及性能參數，EMC 對策可依客人要求做調整，詳情可詢問相關業務人員。
Please inquire your sales representative for output, performance and EMC solution.

