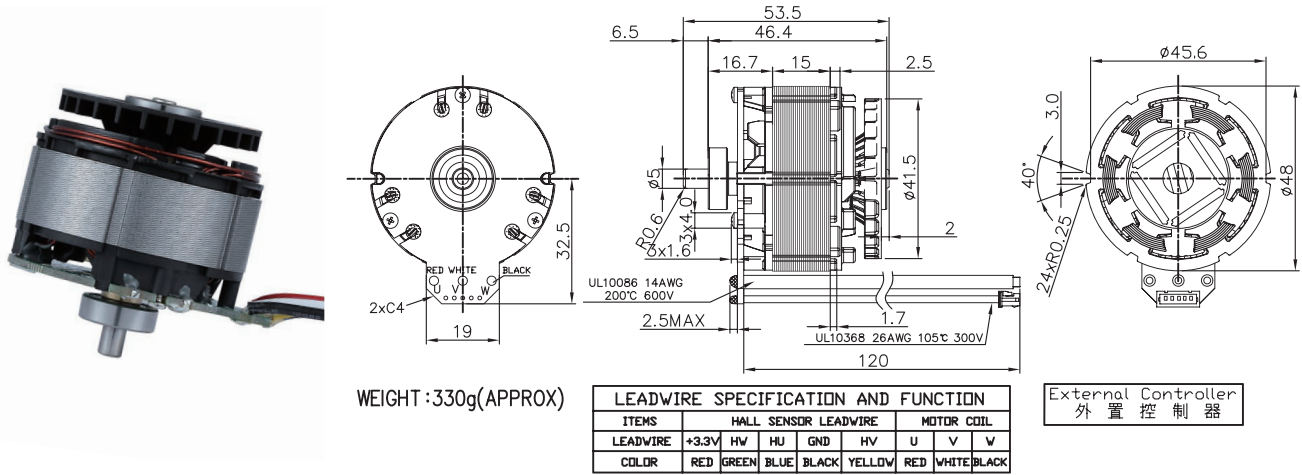


# BL48F15

Brushless DC Motor

Application : Power Tools

用途：電動工具



WEIGHT: 330g (APPROX)

MODEL	VOLTAGE		NO LOAD		AT MAXIMUM EFFICIENCY					STALL			
	OPERATING RANGE	NOMINAL	SPEED	CURRENT	SPEED	CURRENT	TORQUE		OUTPUT	EFF	CURRENT	TORQUE	
			rpm	A	rpm	A	Kg-cm	N-m	W	%	A	Kg-cm	N-m
BL48F15S-18V16K180W-B1X0N	14.4-21.6V	18.0V CONSTANT	16150	2.13	13966	14.37	1.28	0.13	183.73	78	92.37	9.38	0.92
BL48F15S-21.6V21K240W-B1X0N	14.4-21.6V	21.6V CONSTANT	20500	2.40	18051	15.42	1.30	0.13	240.99	73	98.59	8.73	0.86

馬達的出軸長度及性能參數，EMC 對策可依客人要求做調整，詳情可詢問相關業務人員。  
Please inquire your sales representative for output, performance and EMC solution.

