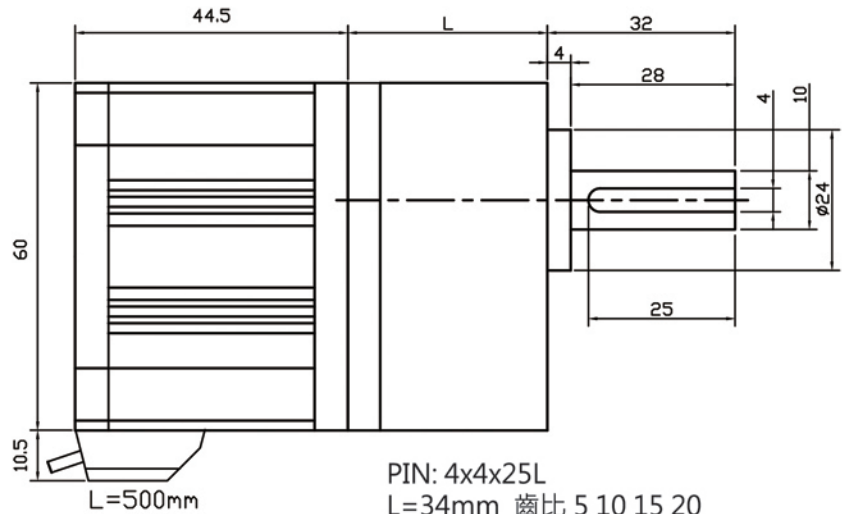
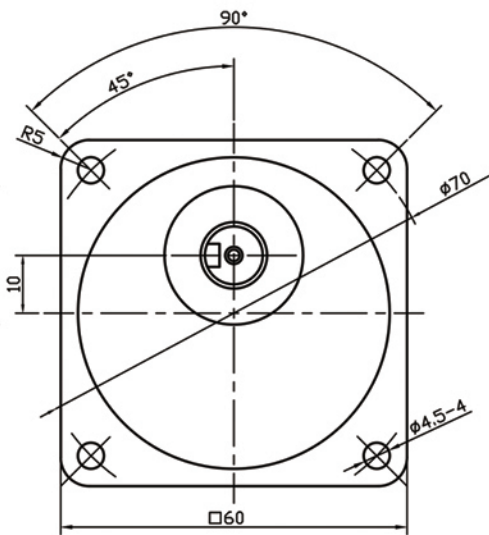
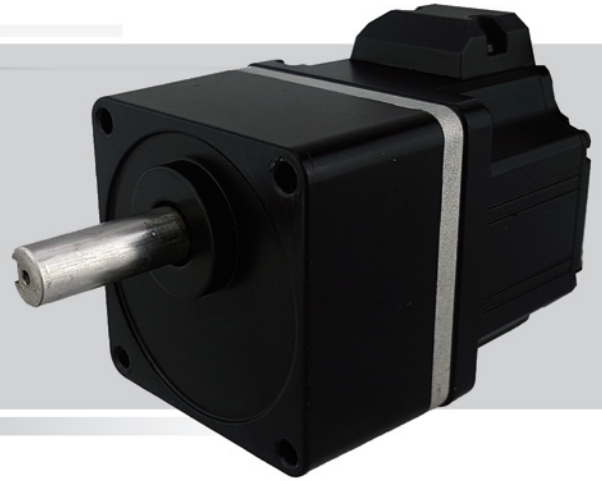


無刷 / 平行軸減速機

2RG Geared brushless Motor



PIN: 4x4x25L
 L=34mm 齒比 5 10 15 20
 L=38mm 齒比 30 50 100
 L=43mm 齒比 200

2RG

額定電壓	DC24 / AC110 / AC220	Rated voltage	DC24 / AC110 / AC220
額定轉速	2500 r/min	Rated R.P.M	2500 r/min
額定輸出	30 W	Rated output power	30 W
重量	1.5 kg	Weight	1.5 kg
轉向	CW / CCW	Direction	CW / CCW
噪音	50cm – 50db	Noise	50cm – 50db
使用溫度/濕度	-15C~60C / RH85%↓	Using temp. / humidity	-15C~60C / RH85%↓
防護等級	IP545	Grade of protection	IP545
絕緣等級	E	Insulation class	E
絕緣抗壓	500V/3mA – 60sec	Voltage resistance	500V/3mA – 60sec
絕緣阻抗	10MΩ>	Insulation resistance	10MΩ>

規格表 Specification

		DC24V	AC110V	AC220V
驅動器搭配	Driver system match	DBM24V	DBC110V	DBC220V
額定轉速	Rated R.P.M	r/min		2500
最高轉速	Max speed	r/min		3000
額定輸出	Rated out put	W		30
額定轉矩	Rated torque	N/m (kgf-cm)		0.12 (1.2)
起動轉矩	Start torque	N/m (kgf-cm)		0.15 (1.5)
速度控制範圍	Speed control range	r/min		15 ~ 3000
輸入電源 In put				
電壓	Voltage	V	DC24±10%	AC110±15% AC220±15%
額定電流	Rated current	A	1.8	1 0.5
最大輸入電流	Max unput current	A	2.1	1.5 1
轉速變動率 Rating of R.P.M fluctuation				
負載	Loading	T	±0.5%	
電壓	Voltage	A	0.2~4% ± 10%	
溫度	Temperature	°C	0~3% (0~50°C)	

2GS 減速比 2GS reduction ratio	5	10	15	20	30	50	100	200
速度範圍 r/min Speed ratio	20-600	10-300	6.67-200	5-150	3.34-100	2-60	1-30	0.5-15
容許轉矩 Nm Rated torque	0.45	0.90	1.4	1.8	*2.6	*4.3	*6	6
容許懸吊載重(軸端 10mm)N Max axis radial load (10mm from axis)	100	150	150	150	200	200	200	200
容許懸吊載重(軸端 20mm)N Max axis radial load (20mm from axis)	150	200	200	200	300	300	300	300
容許推力載重 N Permissible thrust force	40	40	40	40	40	40	40	40
容許負載慣性慣量 10-4kg.m2 Max Moment of Inertia	12	50	110	200	370	920	2500	5000
瞬間停止或反轉 Instantly stop or reverse	1.55	6.2	14	24.8	55.8	155	155	155

*30/50/100 Contrary to the direction of operation of the motor.

*30/50/100 運轉方向與馬達反方向

動力測試圖 R.P.M performance curve

