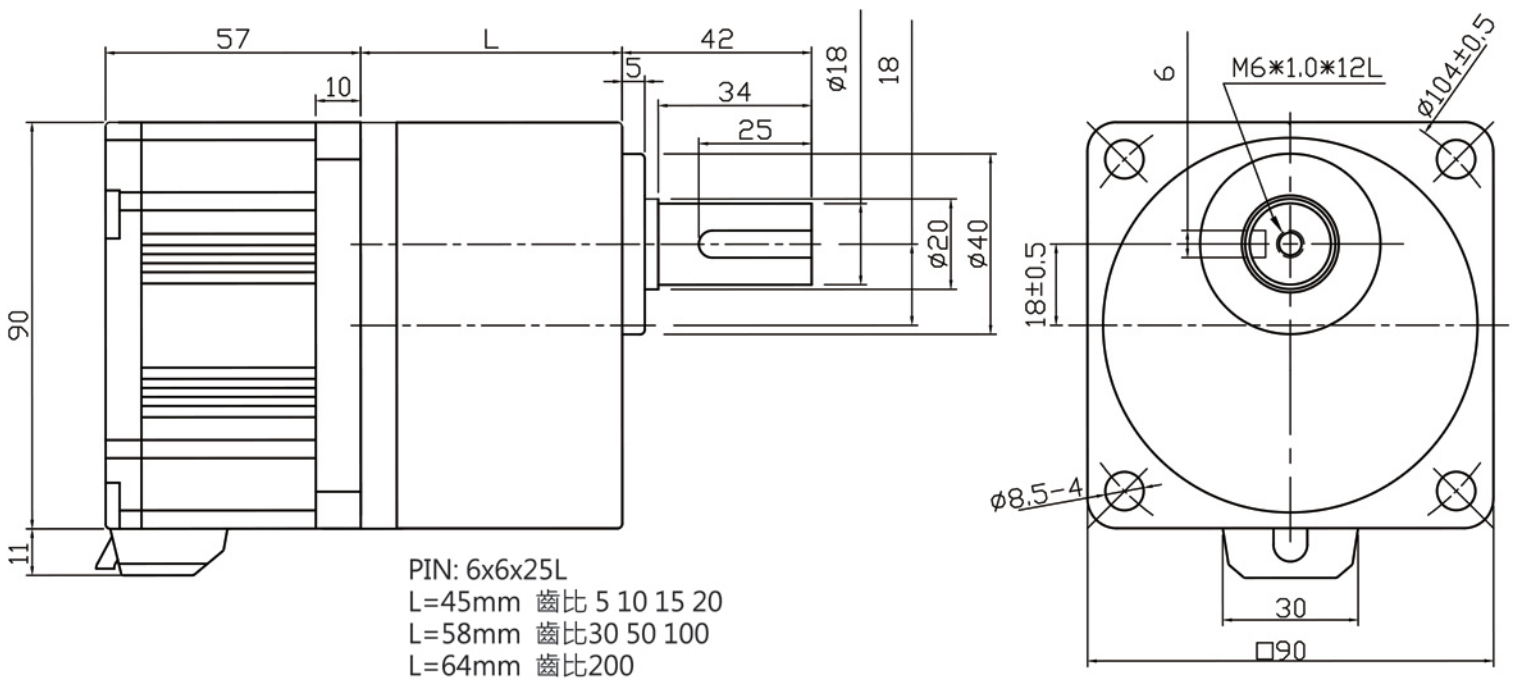
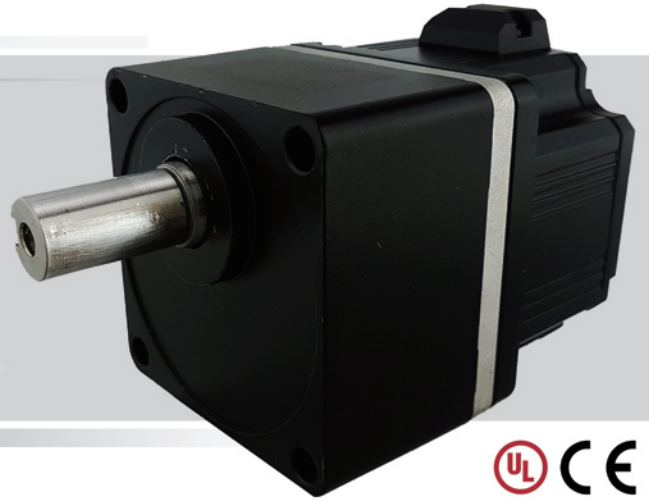


無刷 / 平行軸減速機
5RG Geared brushless Motor



5RG

額定電壓	DC24 / AC110 / AC220	Rated voltage	DC24 / AC110 / AC220
額定轉速	2500 r/min	Rated R.P.M	2500 r/min
額定輸出	100 W	Rated output power	100 W
重量	3.1 kg	Weight	3.1 kg
轉向	CW / CCW	Direction	CW / CCW
噪音	50cm – 50db	Noise	50cm – 50db
使用溫度/濕度	-15C~60C / RH85%↓	Using temp. / humidity	-15C~60C / RH85%↓
防護等級	IP54S	Grade of protection	IP54S
絕緣等級	E	Insulation class	E
絕緣抗壓	500V/3mA – 60sec	Voltage resistance	500V/3mA – 60sec
絕緣阻抗	10MΩ>	Insulation resistance	10MΩ>

規格表 Specification

		DC24V	AC110V	AC220V
驅動器搭配	Driver system match	DBM100W24V	DBC110V	DBC220V
額定轉速	Rated R.P.M	r/min	2500	
最高轉速	Max speed	r/min	3000	
額定輸出	Rated out put	W	100	
額定轉矩	Rated torque	N/m (kgf-cm)	0.4 (4)	
起動轉矩	Start torque	N/m (kgf-cm)	0.5 (5)	
速度控制範圍	Speed control range	r/min	150 ~ 3000	
輸入電源		In put		
電壓	Voltage	V	DC24±10%	AC110±15% AC220±15%
額定電流	Rated current	A	6	3 1.8
最大輸入電流	Max unput current	A	9	6 3.6
轉速變動率		Rating of R.P.M fluctuation		
負載	Loading	T	±0.5%	
電壓	Voltage	A	0.2~4% ± 10%	
溫度	Temperature	°C	0~3% (0~50°C)	

5GS 減速比 5GS reduction ratio	5	10	15	20	30	50	100	200
速度範圍 r/min Speed ratio	20-600	10-300	6.67-200	5-150	3.34-100	2-60	1-30	0.5-15
容許轉矩 Nm Rated torque	1.8	3.6	5.4	7.2	*10.3	*17.2	*30	30
容許懸吊載重(軸端 10mm)N Max axis radial load (10mm from axis)	300	400	400	400	500	500	500	500
容許懸吊載重(軸端 20mm)N Max axis radial load (20mm from axis)	400	500	500	500	650	650	650	650
容許推力載重 N Permissible thrust force	150	150	150	150	150	150	150	150
容許負載慣性慣量 10-4kg.m2 Max Moment of Inertia	45	190	420	700	1600	4500	12000	25000
瞬間停止或反轉 Instantly stop or reverse	25	100	225	400	900	2500	2500	2500

*30/50/100 Contrary to the direction of operation of the motor.

*30/50/100運轉方向與馬達反方向

動力測試圖 R.P.M performace curve

