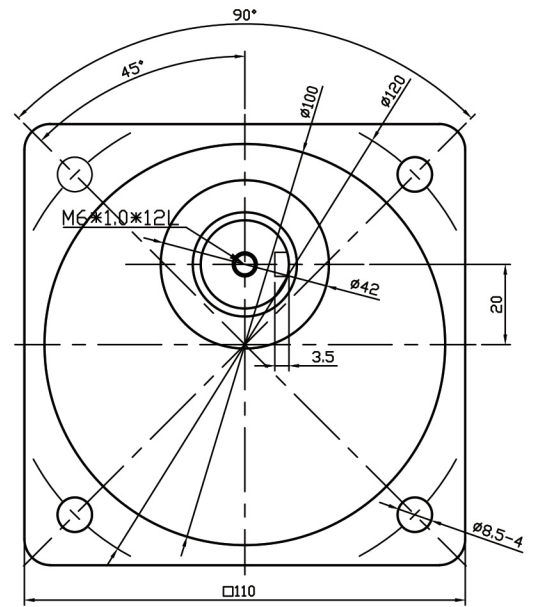
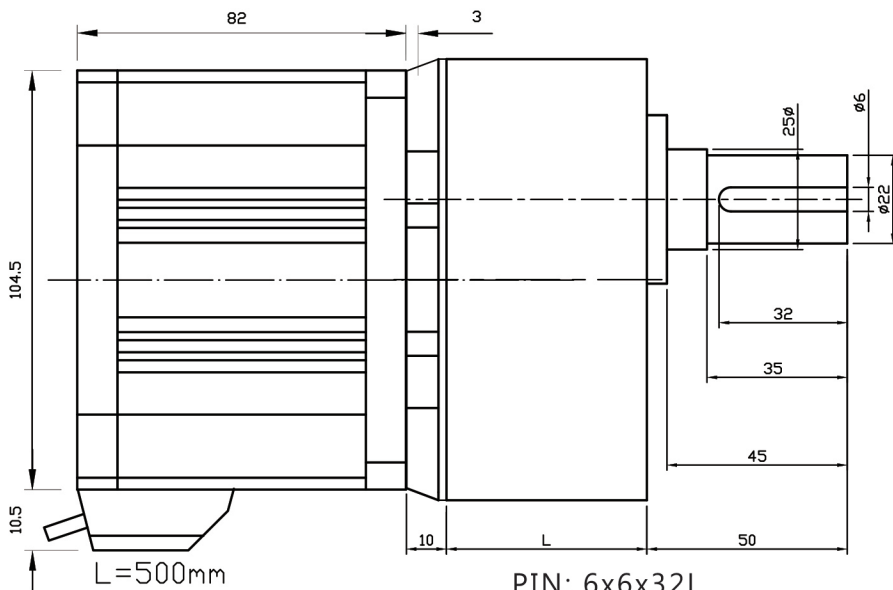
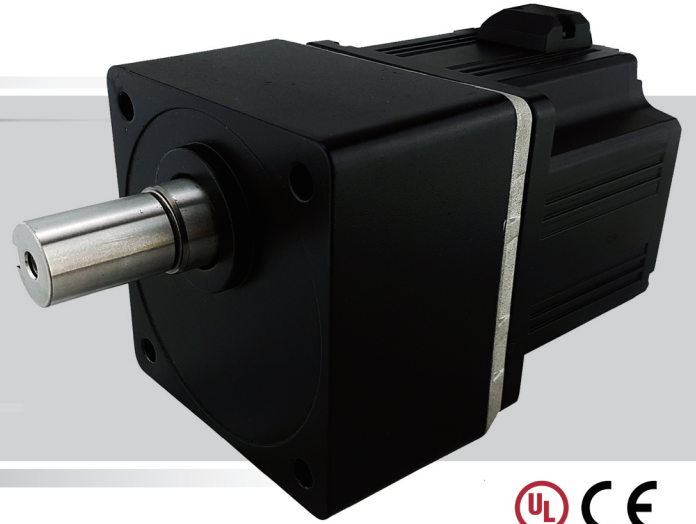


無刷 / 平行軸減速機
6RG Geared brushless Motor



PIN: 6x6x32L
 L=50mm 齒比 5 10 15 20
 L=62mm 齒比 30 50
 L=76mm 齒比 100 200

6RG

| | |
|---------|-------------------|
| 額定電壓 | AC220 |
| 額定轉速 | 2500 r/min |
| 額定輸出 | 200 / 400 W |
| 重量 | 5.5 kg |
| 轉向 | CW / CCW |
| 噪音 | 50cm – 50db |
| 使用溫度/濕度 | -15C~60C / RH85%↓ |
| 防護等級 | IP545 |
| 絕緣等級 | E |
| 絕緣抗壓 | 500V/3mA – 60sec |
| 絕緣阻抗 | 10MQ> |

| | |
|------------------------|-------------------|
| Rated voltage | AC220 |
| Rated R.P.M | 2500 r/min |
| Rated output power | 200 / 400 W |
| Weight | 5.5 kg |
| Direction | CW / CCW |
| Noise | 50cm – 50db |
| Using temp. / humidity | -15C~60C / RH85%↓ |
| Grade of protection | IP545 |
| Insulation class | E |
| Voltage resistance | 500V/3mA – 60sec |
| Insulation resistance | 10MQ> |

規格表 Specification

AC220V

| | | | |
|--------|-----------------------------|--------------|-------------------|
| 驅動器搭配 | Driver system match | DBC220V | |
| 額定轉速 | Rated R.P.M | r/min | 2500 |
| 最高轉速 | Max speed | r/min | 3000 |
| 額定輸出 | Rated out put | W | 200 |
| 額定轉矩 | Rated torque | N/m (kgf-cm) | 0.65(6.5) 1.3(13) |
| 起動轉矩 | Start torque | N/m (kgf-cm) | 1.3(13) 2.6(26) |
| 速度控制範圍 | Speed control range | r/min | 150-3000 |
| 輸入電源 | In put | | |
| 電壓 | Voltage | V | AC220±15% |
| 額定電流 | Rated current | A | 2.3 4 |
| 最大輸入電流 | Max unput current | A | 4.2 7.2 |
| 轉速變動率 | Rating of R.P.M fluctuation | | |
| 負載 | Loading | T | ±0.5% |
| 電壓 | Voltage | A | 0.2~4% ± 10% |
| 溫度 | Temperature | °C | 0~3% (0~50°C) |

| 5GS 減速比 5GS reduction ratio | 5 | 10 | 15 | 20 | 30 | 50 | 100 | 200 |
|---|--------|--------|----------|-------|----------|-------|-------|--------|
| 速度範圍 r/min Speed ratio | 20-600 | 10-300 | 6.67-200 | 5-150 | 3.34-100 | 2-60 | 1-30 | 0.5-15 |
| 容許轉矩 Nm Rated torque 200W | 2.9 | 5.9 | 8.8 | 11.7 | *16.8 | *28.0 | *52.7 | 70 |
| 容許轉矩 Nm Rated torque 400W | 5.9 | 11.7 | 17.6 | 23.4 | 33.5 | 55.9 | 70 | 70 |
| 容許懸吊載重(軸端 10mm)N Max axis radial load (10mm from axis) | 550 | 550 | 550 | 550 | 1000 | 1000 | 1400 | 1400 |
| 容許懸吊載重(軸端 20mm)N Max axis radial load (20mm from axis) | 800 | 800 | 800 | 800 | 1250 | 1250 | 1700 | 1700 |
| 容許推力載重 N Permissible thrust force | 200 | 200 | 200 | 200 | 300 | 300 | 400 | 400 |
| 容許負載慣性慣量 10-4kg.m2 Max Moment of Inertia | 100 | 460 | 1000 | 1700 | 3900 | 9300 | 18000 | 37000 |
| 瞬間停止或反轉 Instantly stop or reverse | 37.5 | 150 | 338 | 600 | 1350 | 3750 | 3750 | 3750 |

*30/50 Contrary to the direction of operation of the motor.

*30/50 運轉方向與馬達反方向

動力測試圖 R.P.M performace curve

