



## SM-73BP-N

|           |  |                        |  |
|-----------|--|------------------------|--|
| 額定電壓      | DC12 / DC24 / AC110<br>AC115 / AC220 / AC230 / AC240 | Rated voltage          | DC12 / DC24 / AC110<br>AC115 / AC220 / AC230 / AC240 |
| 額定轉速      | 18000 r/min  | Rated R.P.M            | 18000 r/min  |
| 額定輸出      | 90 W   | Rated output power     | 90 W   |
| 重量        | 1640 g   | Weight                 | 1640 g   |
| 轉向        | CW / CCW   | Direction              | CW / CCW   |
| 噪音        | 50cm – 85db  | Noise                  | 50cm – 85db  |
| 使用溫度 / 濕度 | -15C~60C / RH85%↓                                    | Using temp. / humidity | -15C~60C / RH85%↓                                    |
| 防護等級      | IP545  | Grade of protection    | IP545  |
| 絕緣等級      | E  | Insulation class       | E  |
| 絕緣抗壓      | 1200V – 60sec  | Voltage resistance     | 1200V – 60sec  |
| 絕緣阻抗      | 20MΩ>  | Insulation resistance  | 20MΩ>  |

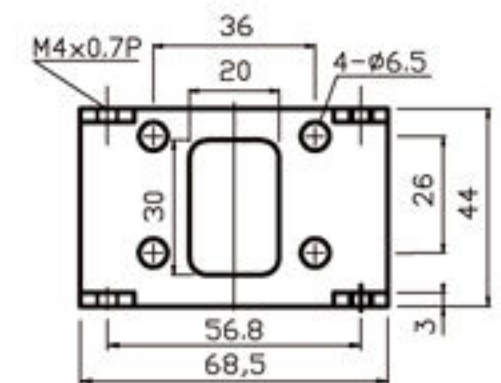
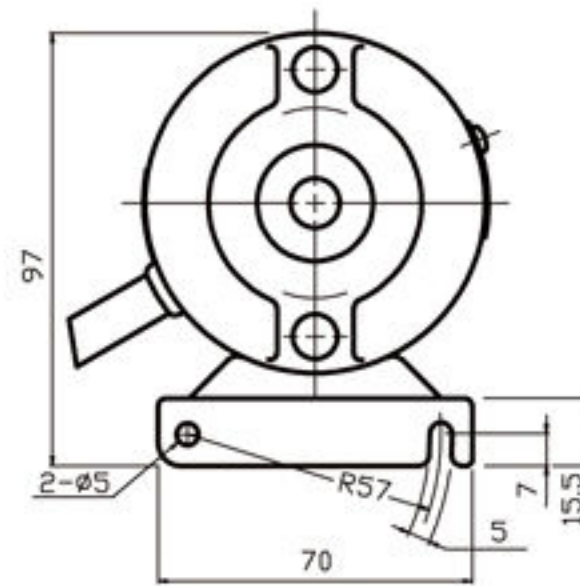
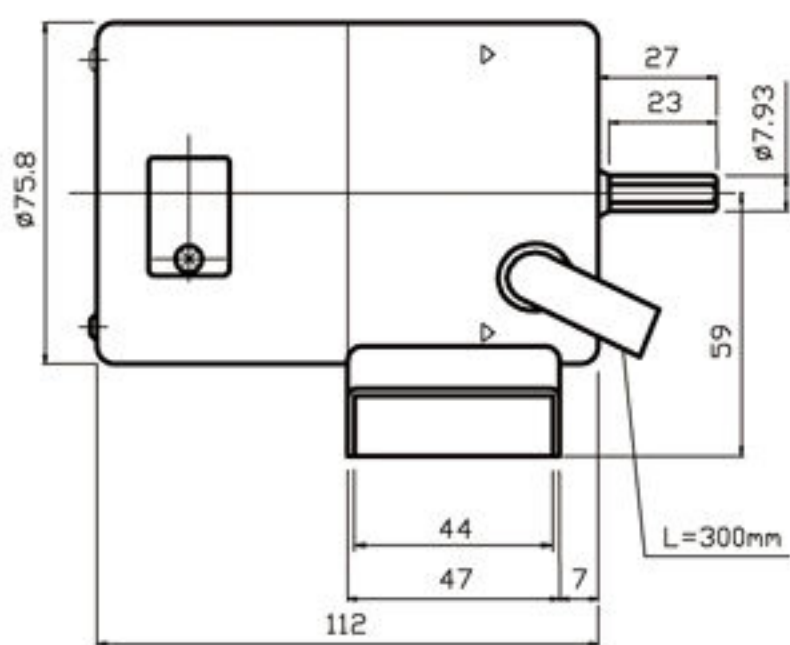


交直流串激式馬達 A.C.&D.C. Series Motor

規格表 Specifications

| 馬達規格 / Motor Specifications |                         |        |       |       |       |       |       |       |       |
|-----------------------------|-------------------------|--------|-------|-------|-------|-------|-------|-------|-------|
| 額定電壓                        | Rated voltage           | V      | 12    | 24    | 110   | 115   | 220   | 230   | 240   |
| 空載轉速                        | No load R.P.M           | R.P.M. | 18000 | 18000 | 18000 | 18000 | 18000 | 18000 | 18000 |
| 額定功率                        | Rated power             | W      | 90    | 90    | 90    | 90    | 90    | 90    | 90    |
| 停動扭力                        | Stall torque            | kgf-cm | 3.5   | 3.5   | 3.6   | 3.6   | 3.75  | 3.75  | 3.75  |
| 空載電流                        | No load current         | A      | 8.6   | 4.3   | 0.6   | 0.57  | 0.3   | 0.28  | 0.27  |
| 最大容許迴轉速                     | Max permissible speed   | R.P.M. | 19800 | 19800 | 19800 | 19800 | 19800 | 19800 | 19800 |
| 最大連續電流                      | Max. continuous current | A      | 12.84 | 6.42  | 1.4   | 1.34  | 0.7   | 0.67  | 0.64  |
| 最大連續扭力                      | Max. continuous torque  | kgf-cm | 0.8   | 0.8   | 0.8   | 0.8   | 0.8   | 0.8   | 0.8   |
| 額定電壓時最大功率                   | Rated voltage max power | W      | 135   | 135   | 135   | 135   | 135   | 135   | 135   |
| 最大效率                        | Max efficiency          | %      | 63%   | 65%   | 66%   | 67%   | 68%   | 68%   | 69%   |
| 轉速電壓係數                      | Speed constant          | rpm/V  | 1500  | 750   | 163.6 | 156.5 | 81.8  | 78.3  | 75    |

尺寸圖 Appearance size



動力測試圖 R.P.M performace curve

