

DC Brush Motor

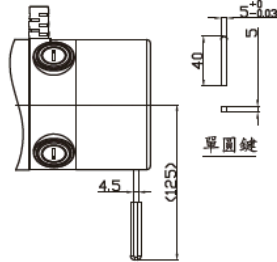
Scooter-SCA5 Series (4Poles)
差速器馬達 / Transaxle Motor



● 圖紙 / Drawing

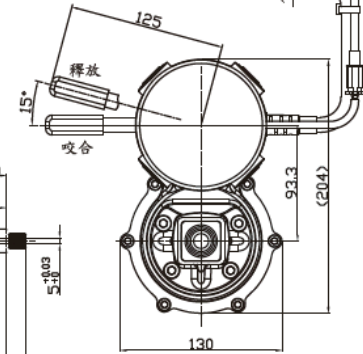
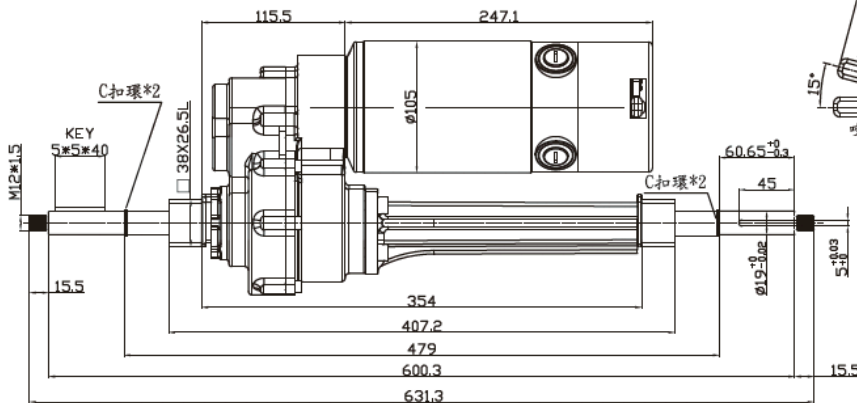
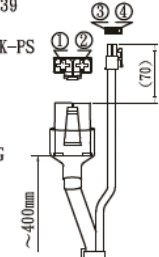
MODEL:
RATIO: 1:19
MOTOR: DC24V 9.0A(max)
OUTPUT: 950W
SPEED: 4800±150rpm(CCW)
BRAKE: DC24V 0.78A 80Kgf-cm
NOISE: 68dB (max)

附件:(放入出力軸尾端)
5*5*40單圓鍵*2pcs
M12-P1.5尼龍螺帽*2pcs
平華司φ27*φ13.2*2.0t*2Pcs

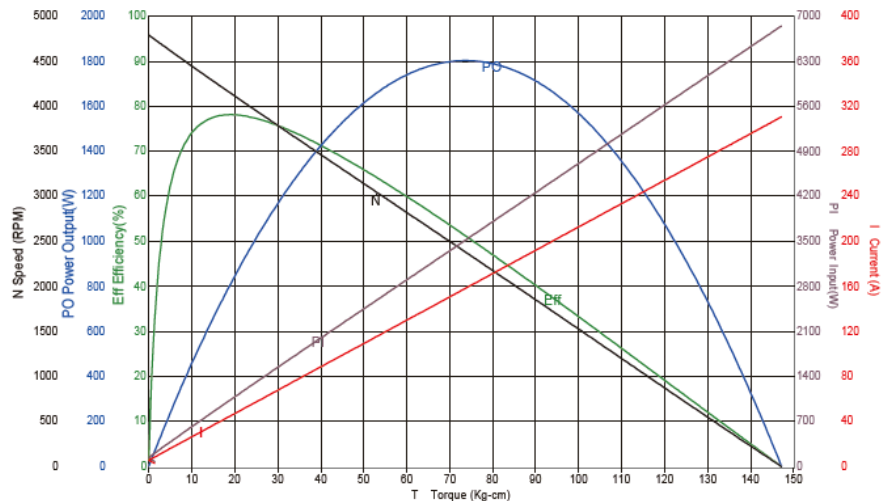


BRAKE:
H: 39-01-3028
T: 39-00-0039
MOTOR:
IPG-10206UK-PS
D51059UK

- ① MTR+(Red*2)#12AWG
- ② MTR-(Black*2)#12AWG
- ③④ BRAKE(White*2)#20AWG



● 曲線圖 / Curve



● 規格 / Spec.

馬達機種 / Motor Type	Model SCA5 系列 (4 極) / SCA5 Series (4Poles)
外徑 Diameter	Φ105
IP 等級 IP Degree	IP44
電壓 Voltage	12V / 24V / 36V / 48V
輸出功率 Output Watt	500W ~ 950W
減速比 Gearbox Ratio	13.8:1 / 16.5:1 / 19.05:1 / 20:1 / 22:1 / 26:1 / 34:1 / 43.9:1
轉速 RPM	2500 - 5700
額定載重 Rated Loading	350KG