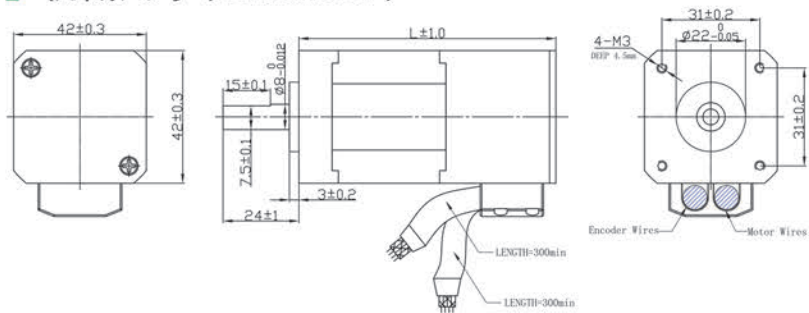
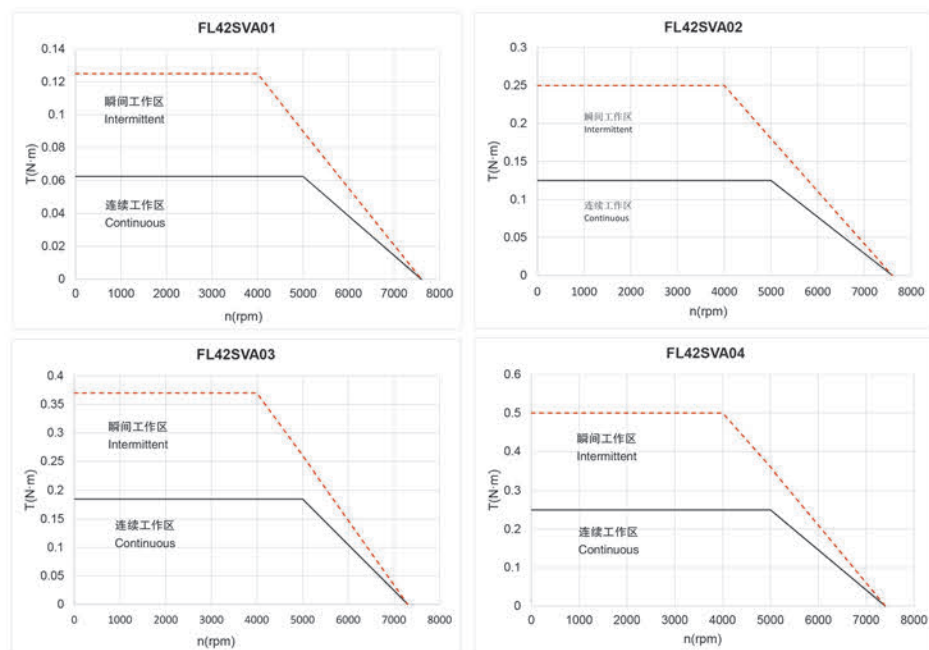


直流无刷伺服电机 Closed-Loop Brushless DC Motor

机械尺寸 (Dimension)



性能曲线 (Performance Curve)



接线说明 (Electric Connection)

序号 No.	引出线颜色 Lead Color	引出线型号 Lead Gauge	功能 Function	说明 Description
1	红白色(Red/White)	Cable AWG26	GND	Signal Power negative
2	红色(Red)		VCC:+5VDC	Signal Power positive
3	蓝色(Blue)		EA-	Two-channel differential signal (Three-channel differential signal can be provided).
4	蓝黑色(Blue/Black)		EA+	
5	黑色(Black)		EB-	
6	黑白色(Black/White)		EB+	
7	棕色(Brown)		霍尔 HALL A	
8	橙色(Orange)		霍尔 HALL B	
9	黄色(Yellow)		霍尔 HALL C	
1	黄色(Yellow)	Cable AWG18	U相(Phase U)	
2	红色(Red)		V相(Phase V)	
3	黑色(Black)		W相(Phase W)	

编码器接线定义请向富兴机电公司咨询
Please ask for the encoder connection from FULLING MOTOR company

一般技术特性 (General Technical Information)

编码器类型 (Encoder type)	1、光电编码器 Optical encoder 2、磁编码器 Magnetic encoder 3、旋转变压器 Resolver 备注：多种分辨率可选，增量式、绝对值式可选。 Note: Multiple resolutions are available ; Incremental or absolute encoders are optional.		
径向负载 (Max radial force)	28N @ 20mm from the flange	环境条件 Environmental conditions	使用环境温度：-20°C~ +40°C ; Temperature: -20°C~ +40°C 使用环境湿度：≤90%RH (无凝露) ; Relative humidity: ≤90%RH(No dewing) 安装环境：远离腐蚀、可燃性气体，油滴，灰尘， 海拔≤1000m(1000~4000m，降额使用) ; Installation environment: Far away active gas, Combustible gas, oil drop, ash.
轴向负载 (Max axial force)	10N		altitude≤1000m(1000~4000m，Derating use) ; 存储环境：-20°C~ +60°C，≤85%RH (无凝露) 。 Storage Condition: -20°C~ +60°C，≤85%RH(No dewing).
绝缘等级 (Insulation Class)	Class B		
防护等级 (Protection level)	IP40		

电机技术性能 (Motor Technical Specification)

	单位(Unit)	FL42SVA01	FL42SVA02	FL42SVA03	FL42SVA04
额定电压(Rated voltage)	VDC	24	24	24	24
额定转速(Rated speed)	RPM	5000	5000	5000	5000
额定转矩(Rated torque)	N·m	0.0625	0.125	0.185	0.25
额定电流(Rated current)	A	2.1	4	6	8
空载转速(no load speed)	RPM	7600	7400	7300	7400
峰值扭矩(Peak torque)	N·m	0.19	0.38	0.56	0.75
峰值电流(Peak current)	A	6.25	12	18	24
电阻(Line to line resistance)	Ω	1.15	0.5	0.28	0.25
电感(Line to line inductance)	mH	1.75	0.9	0.51	0.38
反电势系数(Back EMF)	V/Krpm	2.23	2.3	2.32	2.28
转矩系数(Torque constant)	Nm/A	0.03	0.031	0.031	0.031
极数(Number of poles)		8	8	8	8
编码器(Encoder)	CPR	1000	1000	1000	1000
转动惯量(Rotor inertia)	g.cm ²	24	48	72	96
机身长度(Motor length) L	mm	61.3	81.3	101.3	121.3
重量(Weight)	Kg	0.3	0.45	0.65	0.8

该款电机可以根据客户需求定制。
The motor can be designed & manufactured with customized request.