

**ISO 9001
REGISTERED**

1.0 CHARACTERISTIC

Easy installation into existing pipe
For a wide range of pipe size from diameter 25 to 200
Reed switch provide a SPDT contact function
Max. pressure rating 1500 psi (st. steel)

2.0 DESCRIPTION

Service: For "Non-Corrosive" liquid fluid available
Operation Temperature: -30~+120°C
Reed Switch: SPST: 250VAC, 100VDC, 10VA (max.) (Flow ON);
SPDT: 150VAC/DC, 20VA (max.)
Carrying Current: 1A (max.)
Wire Conduit: ½" NPTF, ¾" NPTF, and option available
Protection Class: FS25R: Weather Proof type / FS25X: Explosion Proof type
Material: Housing— Aluminum alloy (SS316 available for FS25X);
Body— SS316+Teflon; Plate— Stainless Steel 301
Optional: other materials available upon request

Approvals:






TD0400TJ
工電(2016)第00428號
(ITRI)2017第07-00104號



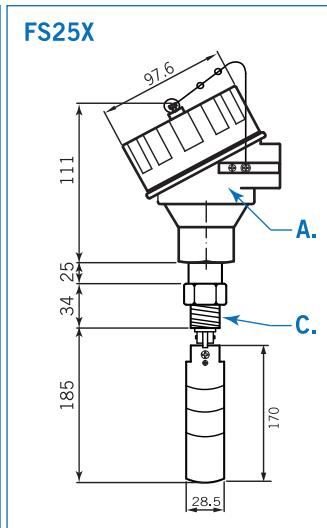
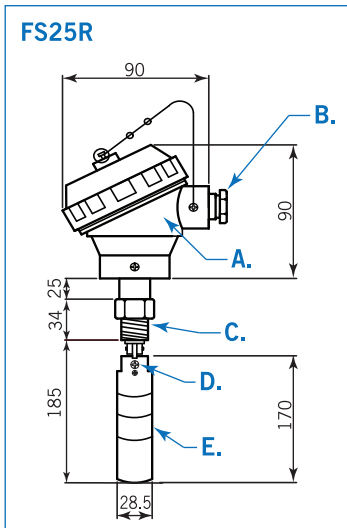
Switches with Intertek
Test Report, refer to
UL508 Standard.



Reminder before ordering:

In general, We DON'T recommend using FS25 for the seawater application!
But, if it is necessary, please let us know before placing an order, we can customize the special magnet with lining to match up!

3.0 DIMENSIONS—mm



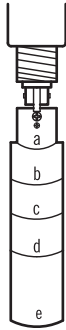
Parts List

No.	Part Name	Material
A.	Head Housing	Aluminum
B.	Conduit Connection ½"NPT(F)	—
C.	Process Connection 1"NPT(M)	SS316
D.	Screw Bolt	SS304
E.	Paddles, 5pce	SS301

4.0 5PCE PADDLE NUMBERS FOR SUITABLE PIPE SIZE

No.	Pipe Size
a	1"
b	1½"
c	2½"
d	4"
e	8" and upper

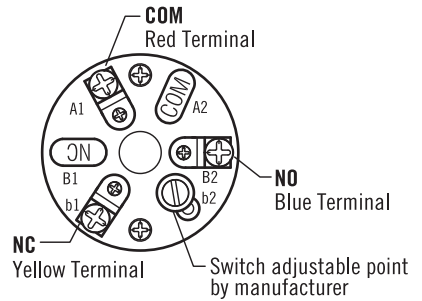
NOTE.
The paddles could be cut the length to matching the other pipe size is requested as 1¼", 3", 5", 6".



5.0 WIRE DRAWING

Reed switch: 250VAC/DC 60W/VA

Carrying current: 1A



6.0 INSTALLATION INSTRUCTION

