

**ISO 9001**  
REGISTERED

### 1.0 DESCRIPTION 規範

**Protection Class:** IP65  
**Process Connection:** 1" NPT male  
**Material: Housing:** Plastic (Other wetted part: brass or stainless steel)  
**Application:** Liquid  
**Installation:** Easily mounted directly in a pipe  
**Pipe Size Range:** 25~200 (1"~8"), large size is available  
**Microswitch:** SPDT, 15A 125, 250V 480 VAC, ½A 125 VDC, ¼A 250 VDC  
**Conduit Connection:** PG11, other thread available with adaptor  
**Temperature Limit:** -30~+120°C  
**Pressure Limit:** 15 kg/cm²- stainless steel ; 10 kg/cm²- brass

**Option Function (Extra Cost):**

**LED Alarm Light:** Red color (Bilateral side conduit connection available)  
**Power Supply for LED Alarm Light:** AC 110V, AC 220V; option available



PATENT NO.  
M290239



### 2.0 5PCS PADDLE NUMBER FOR SUITABLE PIPE SIZE

5片擋片可依管徑大小使用

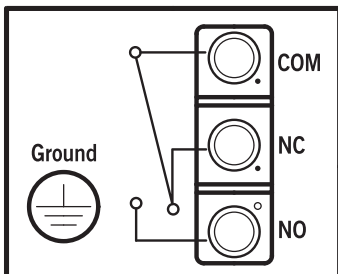
Item 項目	Pipe Size 管徑	Length 長度
a	1"	28
b	1½"	34,1
c	2"~2½"	58
d	3"	85
e	4"~8"	165

\*4"~8", cutting length available.  
4"~8"可依插入長度裁剪。

\*The paddle could be cut the length to matching the other pipe size is requested as 1¼", 3", 5", 6".  
可配合其他管徑裁剪擋片長度。

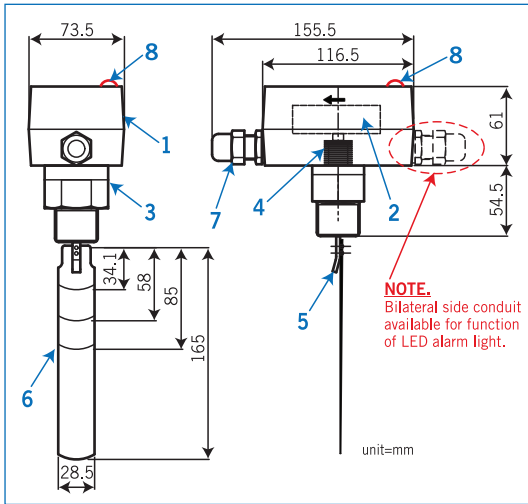
unit=mm

### 3.0 WIRE DRAWING 接線圖



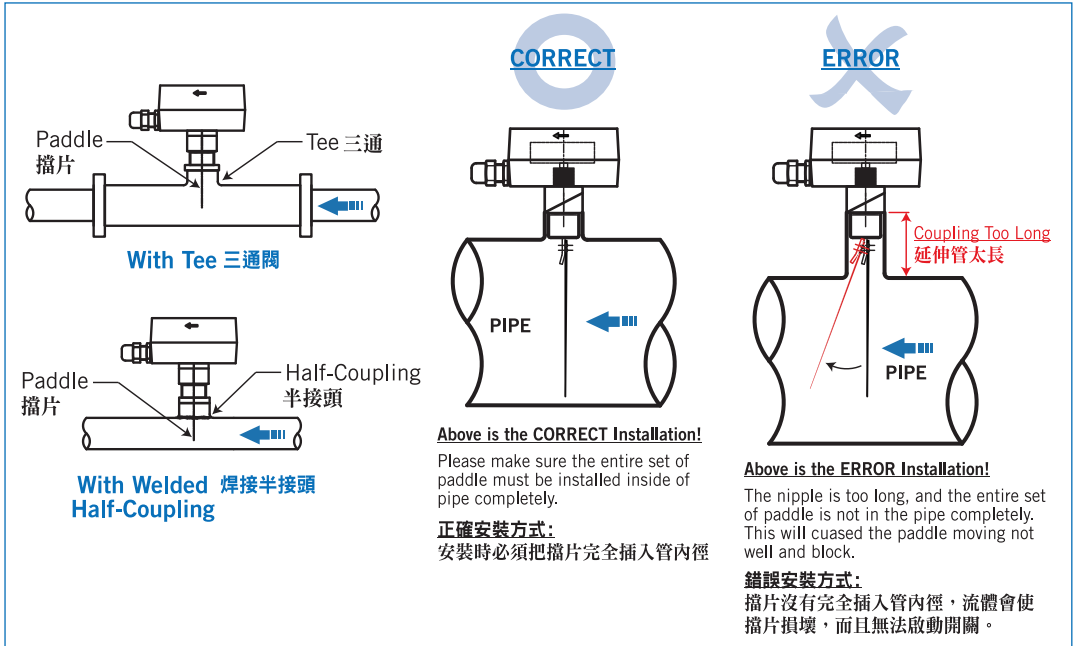
Max. 15A 125, 250 or 480VAC  
 Ambient Temperature: max. -85°C  
 Medium Temperature: max. 120°C  
 IP65

## 4.0 DIMENSIONS / PARTS LIST 尺寸圖及配件說明



Item		FS-30RB	FS-30RS
1	Housing 殼體	Plastic	Plastic
2	Switch Mechanism 開關本體	Microswitch Unit 微動開關	Microswitch Unit 微動開關
3	Connection 接頭	Brass	SS316
4	Bellows 伸縮管	Brass	SS316
5	Paddle Guide 擋片支架	Brass	SS316
6	Paddle 擋片	SS301	SS301
7	Conduit 出線口	Plastic	Plastic
8	LED Alarm Light (option function) LED警報指示燈	Plastic	Plastic

## 5.0 INSTALLATION INSTRUCTION 安裝方法



## 6.0 CONTACT OPERATION CONDITION (Option Function) 可選擇功能: 接點操作狀況

### LED Alarm Light Use:

Contacts "make" during normal (WITH FLOW).  
Contacts "break" during alarm (NO FLOW).

### LED警示燈使用:

正常時(管路內水流通)接點在“閉合”位置。  
警報時(管路內水未流通)接在“斷開”位置。