



ISO 9001
REGISTERED

NEW-FLOW

MANUFACTURE OF PISTON TYPE FLOW SWITCH
FS35R SERIES
AND CONTROL INSTRUMENTS

流動開關操作說明書

Instruction Manual



FS35R

NEW-FLOW TECHNOLOGIES, INC.

No.9 Lane 133, Xing-Hua St., Chien Chen Dist., Kaohsiung 806, Taiwan

TEL: 886-7-8135500 FAX: 886-7-8225588 / 8159758

Email: info@new-flow.com www.new-flow.com

TABLE OF CONTENTS

1.0~3.0	Description & Flow Rate	page 1
4.0~7.0	Wire Drawing & Operation	page 2

TEL: 886-7-8135500 FAX: 886-7-8225588
e-mail: info@new-flow.com
<http://www.new-flow.com>
Instruction No.: 20160321-fs35r-00



1.0 DESCRIPTION

Technical Data • 規範

Protection Class: IP65

Process Connection: ¼" to 1" female, thread PF and NPT available

Wetted Parts Material: Brass or Stainless Steel

Micro Switch: Rating 3A/250VAC, 5A/125VAC

Conduit Connection: DIN43 650 / EN 175301-803

Accuracy: ±5% of Full Scale

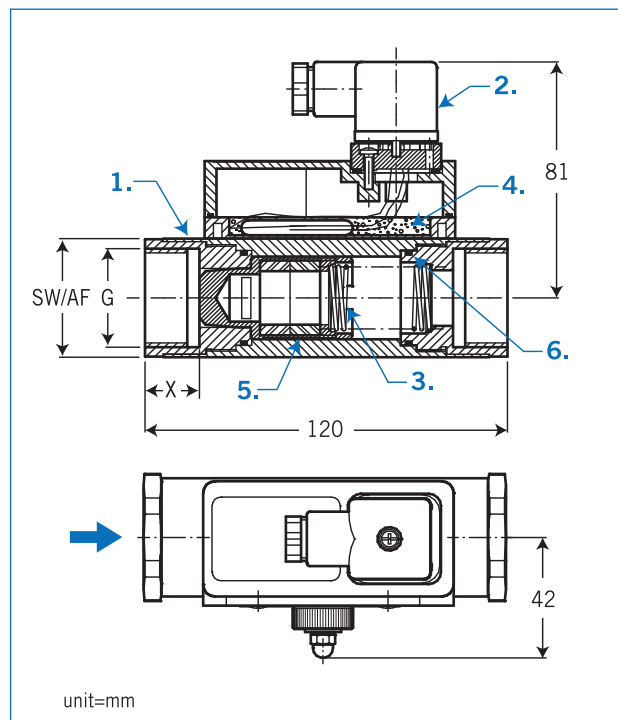
Temperature Limited: Max. 120°C

Pressure Limited: Average pressure loss 0.5 Bar at Qmax

Hysteresis: Depending on switch value from 15~20% F.S.

2.0 DIMENSIONS / PARTS LIST

Dimensions • 尺寸圖



Parts List • 配件說明及材質

ITEM	PARTS NAME	FS35RB	FS35RS
1.	Body • 殼體	Stainless Steel 316	Stainless Steel 316
2.	Conduit Connection • 接線接頭本體	Polycarbonate	Polycarbonate
3.	Spring • 彈簧	Stainless Steel 316	Stainless Steel 316
4.	Magnet • 磁鐵	Bariumferrite	Bariumferrite
5.	Piston • 活塞	Brass	Stainless Steel 316L
6.	Seal • 墊片	Viton	Viton

3.0 FLOW RATE TABLE

(W) Water:

Model	Size	PN	Qmax. Recom. (L/Min H ₂ O)	Adjustable Range (L/Min H ₂ O)			AF (mm)	X (mm)	Weight (KG)
FS35RB & FS35RS	¼"	200 bar	10	0.5~5	1~10		40	15	1.3
	⅜"	200 bar	20	0.5~5	1~10	1.8~18	40	15	1.3
	½"	200 bar	40	1.6~16	2~20	3.5~35	40	15	1.2
	¾"	200 bar	60	2~20	4~40	6~60	40	18	1.2
	1"	200 bar	80	2~20	4~40	6~60	40	18	1.1

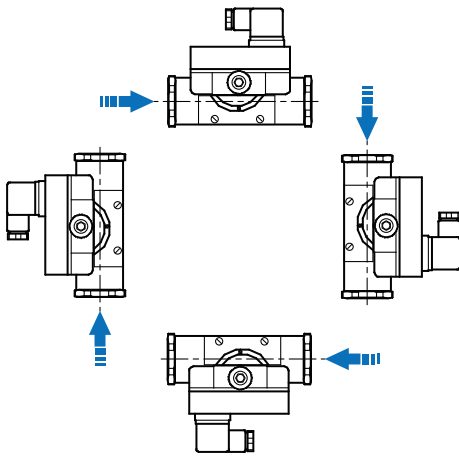
(O) Oil:

Model	Size	PN	Qmax. Recom. (L/Min H ₂ O)	Adjustable Range (L/Min)			AF (mm)	X (mm)	Weight (KG)
FS35RB & FS35RS	¼"	200 bar	10	0.5~5	0.8~8	1~10	40	15	1.3
	⅜"	200 bar	20	1~10	1.5~15	2~20	40	15	1.3
	½"	200 bar	40	2~20	2.5~25	4~40	40	15	1.2
	¾"	200 bar	60	2.5~25	5~50	6~60	40	18	1.2
	1"	200 bar	80	2.5~25	5~50	6~60	40	18	1.1

NOTE.
Adjustable range is indicated for horizontally decreasing flow.

4.0 FLOW DIRECTION

Flow Direction • 安裝流向



NOTE.

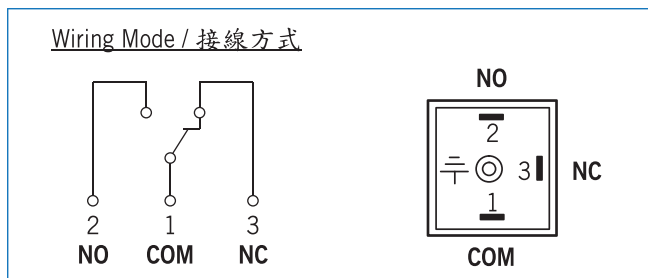
Installation position may influence switch value.
• 安裝位置可能會影響開關切換值及流量。

5.0 WIRE DRAWING

Wiring • 接線方式

Micro Switch: Rating 3A/250VAC, 5A/125VAC

Hysteresis: Depending on switch value from 15~20% F.S.



Wiring mode is in the DIN 43 650 / EN 175301-803 plug.
• 接線方式在DIN 43 650 / EN 175301-803接頭中。

6.0 OPERATION NOTICE

Notice • 操作注意事項

1. Include straight length section of 5 x diameter of pipe line in inlet and outlet.
2. If the media are dirty, install a strainer (use magnetic strainer).
3. It must be ensured that the values given for voltage, current, and power are not exceeded.

- 包含5 x 直管部於入口及出口處。
- 如果流體媒介很髒，請加裝過濾器。(磁性過濾器)
- 請確保供應的電壓、電流和電源值不得超過產品的設定值。

7.0 ADJUSTMENT

Adjustment Flow Rate • 調整流量方式

If it is necessary to set the switching value, the switching head can be adjusted by adjustment with a pinion. When the switching value is reached, the switching unit is fixed in place by a fastening bolt.

- 如需設定流量值，可轉動本體上的小齒輪來調整流量。
當流量已達所需的設定值時，請使用緊固螺栓來固定。

