



ISO 9001  
REGISTERED

# ***NEW-FLOW***

MANUFACTURE OF FLOW SWITCH  
FS40R SERIES  
AND CONTROL INSTRUMENTS

流動開關操作說明書

## ***Instruction Manual***



**FS40R**

***NEW-FLOW TECHNOLOGIES, INC.***

No.9 Lane 133, Xing-Hua St., Chien Chen Dist., Kaohsiung 806, Taiwan

TEL: 886-7-8135500 FAX: 886-7-8225588 / 8159758

Email: [info@new-flow.com](mailto:info@new-flow.com) [www.new-flow.com](http://www.new-flow.com)

## TABLE OF CONTENTS

1.0~3.0	Description & Installation.....	page 1
4.0~5.0	Flow Rate & Wire Drawing.....	page 2

TEL: 886-7-8135500 FAX: 886-7-8225588  
e-mail: [info@new-flow.com](mailto:info@new-flow.com)  
<http://www.new-flow.com>  
Instruction No.: 20160226-fs40r-00



# 1.0 DESCRIPTION

## Technical Data 規範

**Protection Class:** IP65

**Process Connection:** ½", ¾" Female (Tee), NPT and PT available

**Material: Housing:** Plastic (Other wetted part: brass or stainless steel)

**Application:** Liquid

**Installation:** Easily mounted directly on a pipe

**Microswitch:** SPDT, 15A 125, 250V 480 VAC, ½A 125 VDC, ¼A 250 VDC

**Conduit Connection:** PG11, other thread available with adaptor

**Temperature Limit:** -30~+120°C

**Pressure Limit:** 15 kg/cm<sup>2</sup>- stainless steel ; 10 kg/cm<sup>2</sup>- brass

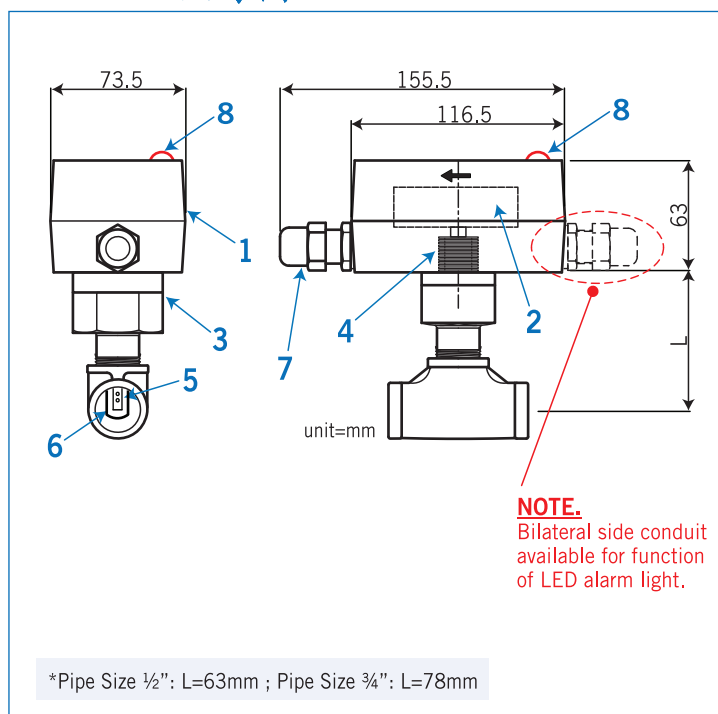
### Option Function (Extra Cost):

**LED Alarm Light:** Red color (Bilateral side conduit connection available)

**Power Supply for LED Alarm Light:** AC 110V, AC 220V; option available

# 2.0 DIMENSIONS / PARTS LIST

## Dimensions 尺寸圖

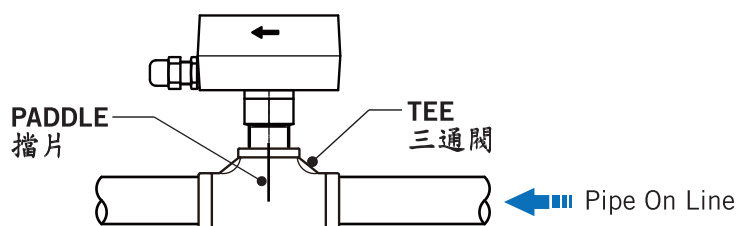


## Parts List 配件說明及材質

Item		FS-40RB	FS-40RS
1	<b>Housing</b> 殼體	Plastic	Plastic
2	<b>Switch Mechanism</b> 開關本體	Microswitch Unit 微動開關	Microswitch Unit 微動開關
3	<b>Connection</b> 接頭	Brass	SS316
4	<b>Bellows</b> 伸縮管	Brass	SS316
5	<b>Paddle Guide</b> 擋片支架	Brass	SS316
6	<b>Paddle</b> 擋片	SS301	SS301
7	<b>Conduit</b> 出線口	Plastic	Plastic
8	<b>LED Alarm Light</b> (option function) 警報LED指示燈	Plastic	Plastic

# 3.0 INSTALLATION INSTRUCTION

## Installation Instruction 安裝方式



## 4.0 FLOW RATE TABLE

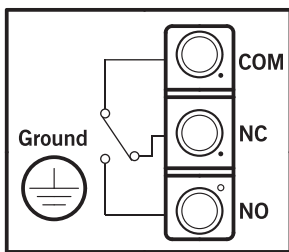
### Flow Rate Table 流量作動參考表格

Flow Rates Required to Actuate, Deactuate Litter per Hour (L/H) Water at 25°C				
Pipe Size	Actuate (on)		Deactuate (OFF)	
	FS-40RB	FS-40RS	FS-40RB	FS-40RS
½"	590~600	610~630	370~390	390~410
¾"	760~780	790~810	465~480	490~520

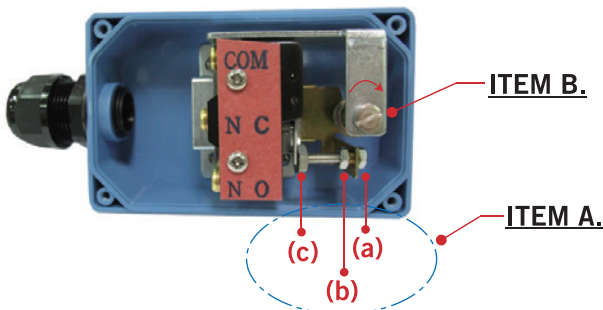
## 5.0 WIRE DRAWING

### Micro Switch Type Only 微動開關操作方式

#### Wire Drawing 接線圖



Max. 15A 125, 250 or 480VAC  
Ambient Temperature: max. -85°C  
Medium Temperature: max. 120°C  
IP65



#### ITEM A.

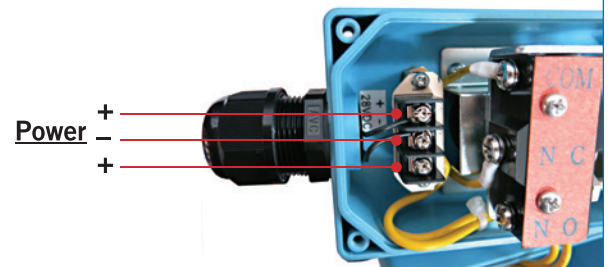
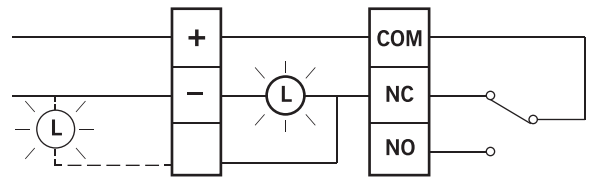
1. Regulation screw for ON-OFF Gap in the first step, unfasten nut (a) and nut (b).  
間距調整螺絲。首先鬆開螺母(a)及(b)。  
接著順時針方向旋轉螺母(c)，則On Set Point延遲。
2. In the second step, regulator nut (c) clockwise. On Set Point time would be delay.
3. To tight nut (a) and nut (b) while finish regulating ON-OFF Gap.  
完成ON-OFF間距調整後，將螺母(a)及(b)鎖緊。

#### ITEM B.

1. OFF set point sensibility regulation screw clockwise. OFF set times would be fast.  
順時針小心的調整OFF Set Point。OFF Set Point會加快。

### LED Alarm Light 警報燈操作方式

#### Wire Drawing 接線圖



- a. Connects the wires to + and - separately.  
分別連接正極+及負極-。
- b. Power Supply: AC 110v, AC 220V and DC24V available.  
電壓：AC 110v, AC 220V and DC24V皆可。

#### LED Alarm Light Use:

Contacts "MAKE" during normal (WITH FLOW).  
Contacts "BREAK" during normal (NO FLOW).

#### LED 警示燈使用:

正常時（管路內水流通）接點在「閉合」的位置。  
警報時（管路內水未流通）接點在「斷開」的位置。