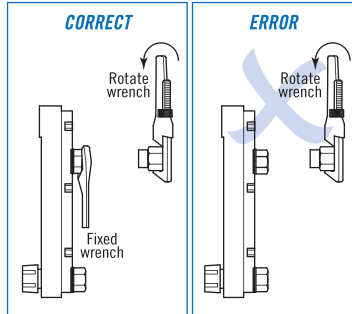


**ISO 9001  
REGISTERED**

#### DESCRIPTION.

**Service:** gas & liquid  
**Wetted parts material:** Body—Polycarbonate (PC);  
 O-Ring— Viton (standard);  
 Float— SS316, POM Plastic  
**Valve material:** SS316  
**Connection material:** SS316  
**Connection size:**  
**Pressure limit:** 150 psig (10bar)@100°F (38°C)  
**Temperature limit:** -10°C~+60°C  
**Accuracy:** ±3% full scale  
**Mounting:** vertical position  
**Weight:** 75 g

#### CAUTION.

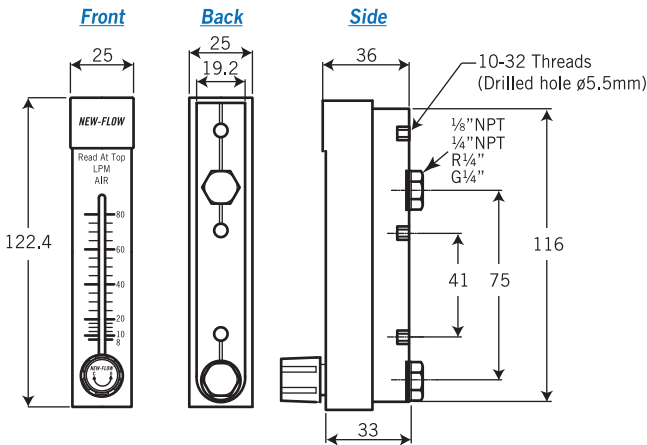


#### Correct- Use Two Wrenches:

The body process connection must be fixed by one of the wrench at first, and then rotating the other wrench. This is in order to avoid making the plastic body broken-down.



#### DIMENSIONS-mm.



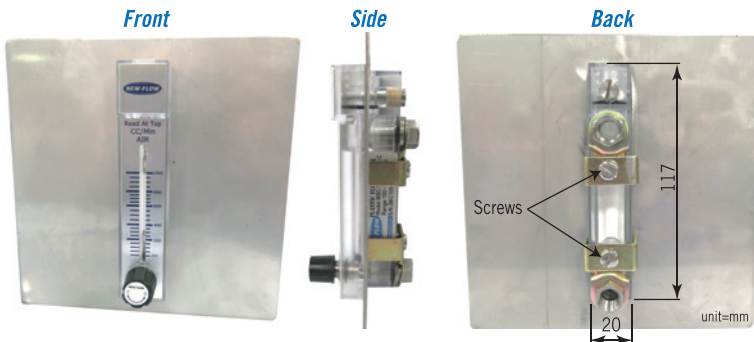
#### INSTALLATION.

- Panel cutout mounting
- Cutout size: high- 11.75mm; Wide- 22.2mm

#### READ TOP TO THE FLOAT.



#### MOUNTING METHOD.



#### Correct Mounting Method:

1. Cutting W20 x H117mm on the plate.
2. Put the MBC into the cut place.
3. And use the flathead screwdriver to fasten the screws tightly and finish the mounting.