

ISO 9001 REGISTERED

1.0 DESCRIPTION

Service: Water, Air

Wetted parts material: Body: Polycarbonate (P.C); O-ring: Viton; Float: SS316; Connection: SS316

Connection size: 1/4" and 3/8" NPT or PT female available

Mounting: Vertical position

Max. working pressure limit: 1.2 MPa (12 kg/cm²)

Max. test pressure: 2.0 MPa (20 kg/cm²) (water 25°C)

Max. working temperature limit: -10°C to 60°C (for PC body)

Accuracy: ±5% full scale

Alarm switch: One setting point, form A N.O. type bistable reed switch

Switch rating: AC 125V 0.5A / DC 100V 10W / Max. DC 250V < 40mA

Weight: 0.3–0.4 kg (Contact setting point should be within 10% to 80% of FS)

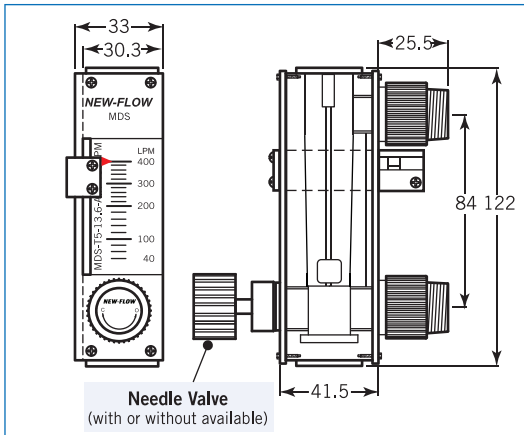
Needle valve: With or Without available



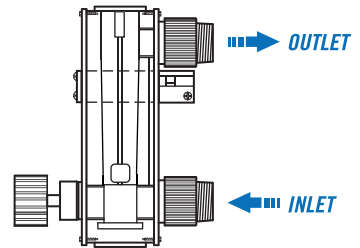
Approvals:



2.0 DIMENSIONS



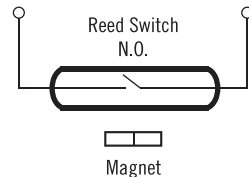
5.0 FLOW DIRECTION TYPES



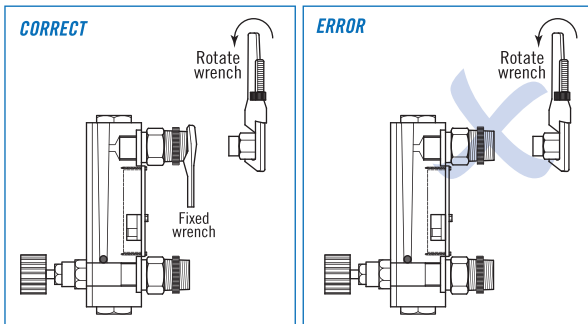
3.0 READ COACTION TO THE FLOAT



6.0 CIRCUIT DIAGRAM



4.0 CAUTION



Correct- Use Two Wrenches:

The body process connection must be fixed by one of the wrench at first, and then rotating the other wrench. This is in order to avoid making the plastic body broken-down.