

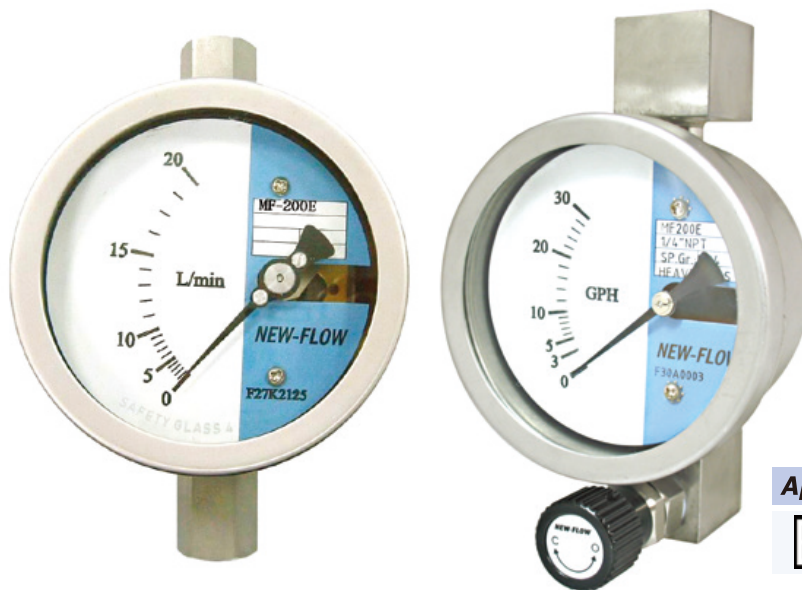


ISO 9001
REGISTERED

NEW-FLOW

MANUFACTURE OF METAL TUBE FLOW METER
MF-200E SERIES

Instruction Manual



Approvals:
 

NEW-FLOW TECHNOLOGIES, INC.

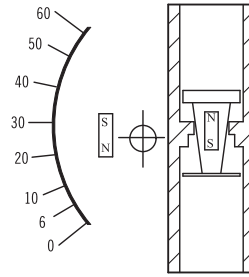
No.9 Lane 133, Xing-Hua St., Chien Chen Dist., Kaohsiung 806, Taiwan
TEL: 886-7-8135500 FAX: 886-7-8225588 / 8159758
Email: info@new-flow.com www.new-flow.com

INSTALLATION

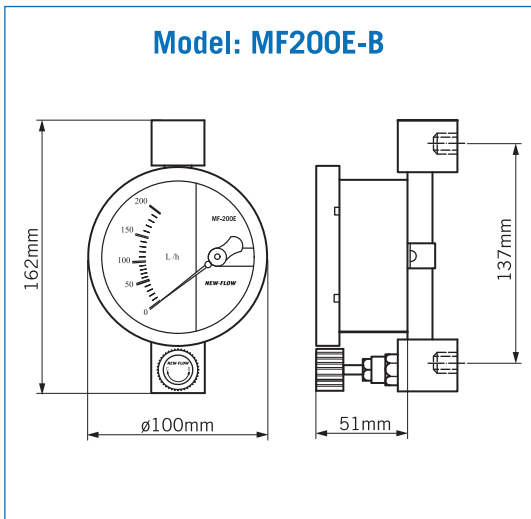
Instructions Manul

MF200E flow meter consist of fixed orifice, float and indicator. Float and indicator provide one set of magnetic coupling in each side. Fluid turn thought float affects another magnet in mechanical indicator to indicating flow rate on dial scale.

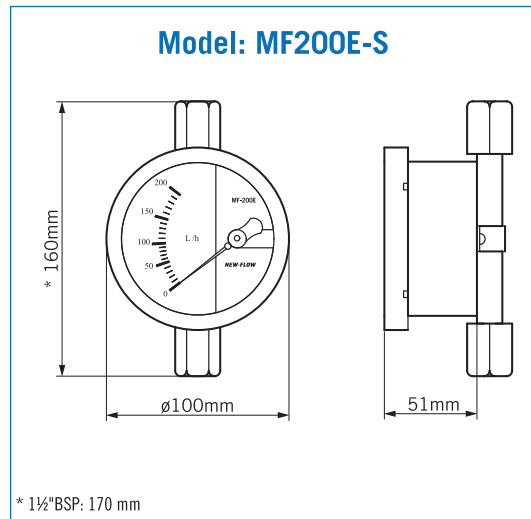
Principle



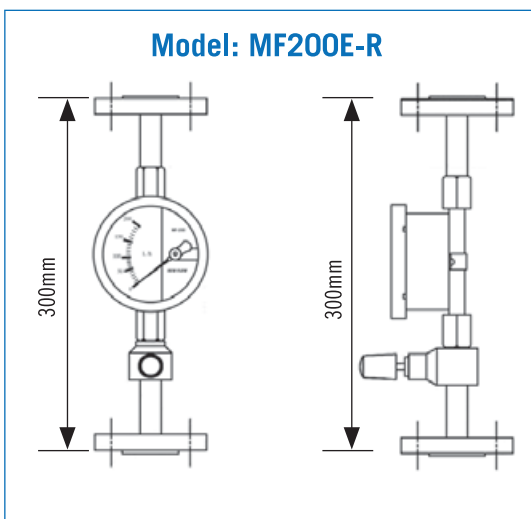
Dimensional Drawings



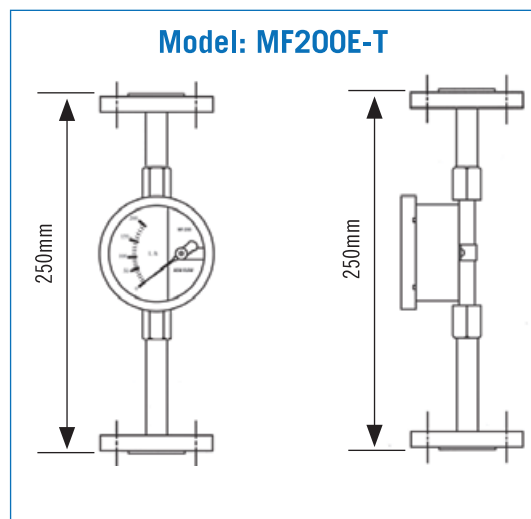
MF200E-B
Basic Model:
Rear connection + needle valve



MF200E-S
Basic Model:
Thread connection



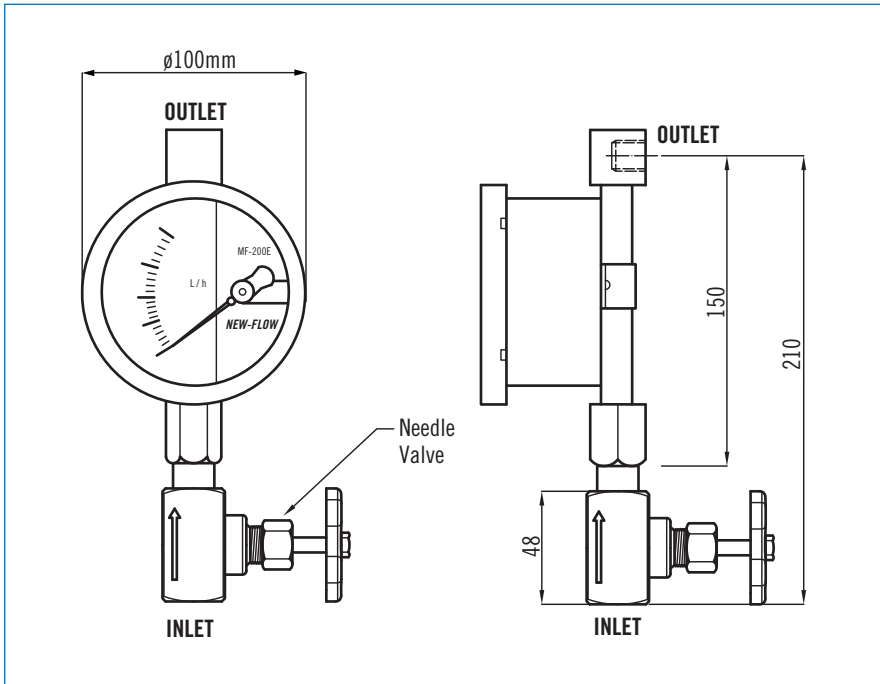
MF200E-R
Flange-needle Model:
flange connection + needle valve



MF200E-T
Flange Model:
flange connection

INSTALLATION

Flow Meter With Needle Valve



Installation

