



ISO 9001  
REGISTERED

# NEW-FLOW

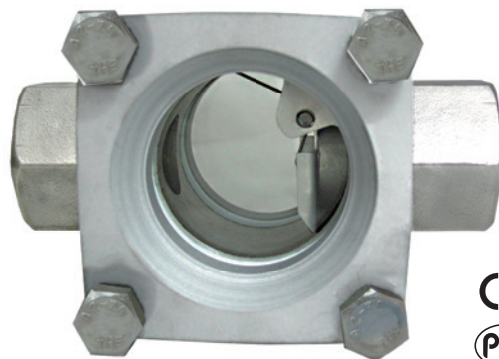
MANUFACTURE OF FLOW SIGHT GLASS INDICATOR

T SERIES

## *Instruction Manual*



**TA TYPE**



**TB TYPE**



**NEW-FLOW TECHNOLOGIES, INC.**

No.9 Lane 133, Xing-Hua St., Chien Chen Dist., Kaohsiung 806, Taiwan

TEL: 886-7-8135500 FAX: 886-7-8225588 / 8159758

Email: [info@new-flow.com](mailto:info@new-flow.com) [www.new-flow.com](http://www.new-flow.com)

# INSTALLATION

## Technical Data

**Service:** – Compatible gas and liquid  
 – Water treatment system  
 – Industrial flow system  
 – Double window indication

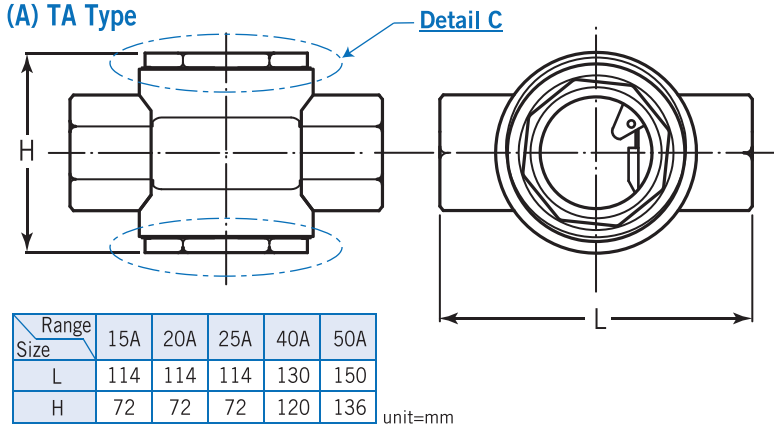
**Material:** Body–SS304, SS316, SS316L ; Paddle–SS316; Spring–SS316  
 Guge–Tempered glass; Gasket–Teflon, Gore Tex, Graphite

**Max working temperature:** 150°C (Teflon), 300°C (Gore-Tex)

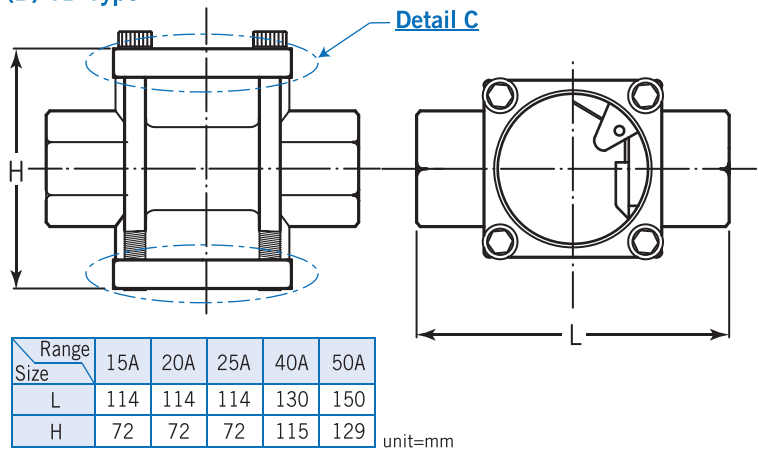
**Max working pressure:** TA type-10 kg/cm<sup>2</sup> at 25°C water  
 TB type-15 kg/cm<sup>2</sup> at 25°C water

## Dimensions

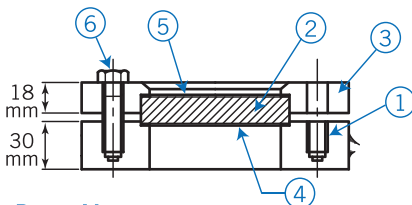
### (A) TA Type



### (B) TB Type



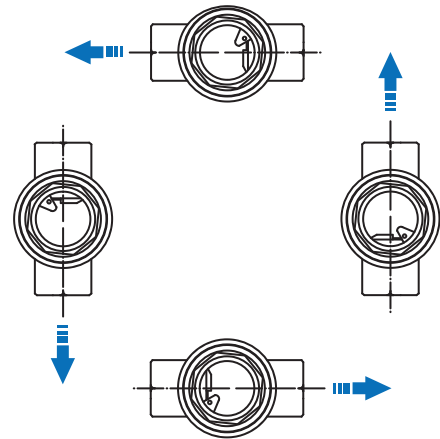
## Detail C



## Parts List

No.	Parts Name	Material
1	Body	SS304 or SS316 available
2	Sight Glass	Transparent TEMpered Glass
3	Cover	SS304, SS316
4	Gasket	NonAsbestos, t=3mm
5	Gasket	NonAsbestos, t=3mm
6	Bolt	SS304, TB Type only

## Mounting Position



## Operation Warning

1. Solid Bigger than 1.0mm in fluid. Strainer has to be installed in pipe ahead of sight glass gauge.
2. Avoid any pressure surge of fluid.