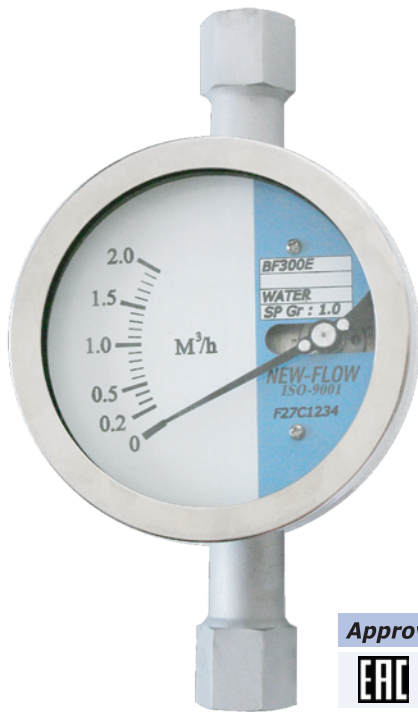


METAL TUBE FLOW METER BF300E



Technical Data

BF300E for high flows of gas, liquid and steam

Case Material: SS316

Body wetted parts: SS316, Others on request.

Indication via magnetic coupling (no sealed)

Scales calibrated: in l/h, m³/h, kg/h, %, etc.

Flow rates for:

SS316 Float:

– Water: 1 l/h up to 200,000 l/h (special ranges on request)

– Air: 0.03 Nm³/h up to 5,400 Nm³/h (special ranges on request)

PVDF Float:

– Water: 4 l/h up to 10,000 l/h (special ranges on request)

– Air: 0.13 Nm³/h up to 180 Nm³/h (special ranges on request)

Connection types: Thread type, flange type, trip clamp & sanitary (other on request)

Connection size: ½" ~ 6"

Mounting Length: 250mm standard for size ½"~5", 300mm standard for size 6"; Special length is on request

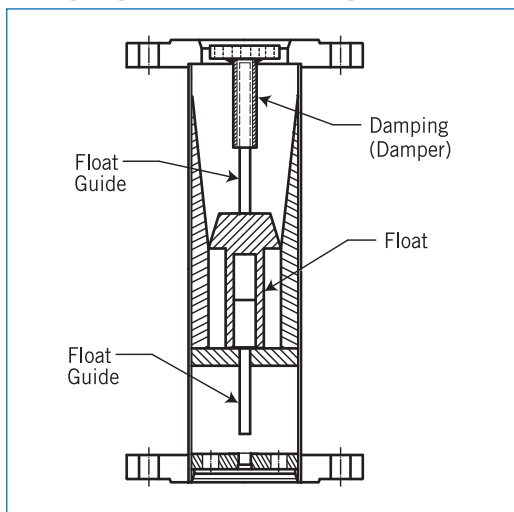
Temperature: -50°C to +200°C (300°C option)

Protection class: IP68

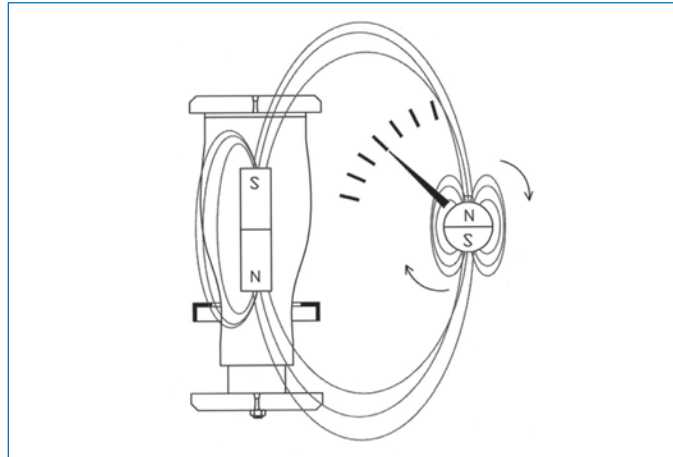
Accuracy: ±2% F.S (±1.6% F.S Option)

Max. pressure: 40 kg/cm², standard (Option: up to 100 kg/cm²)

Damping Mechanical (Option Function)

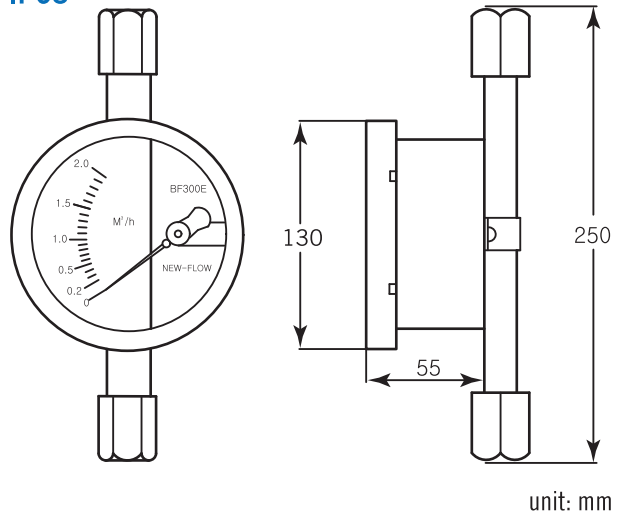


Principle

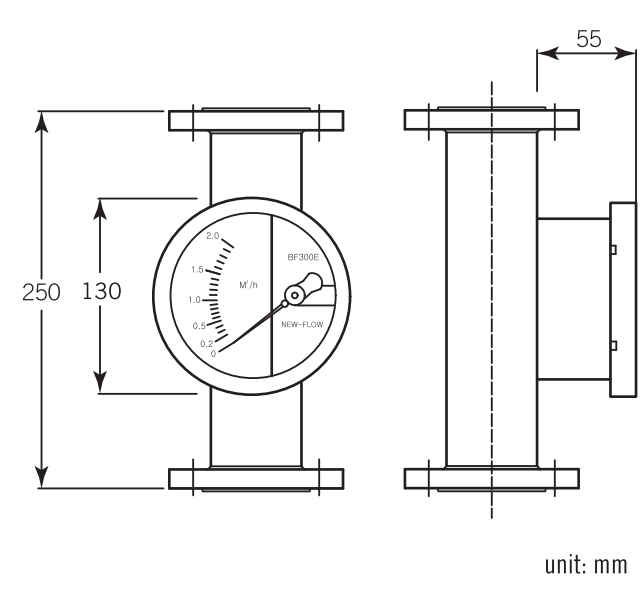


Dimensions

IP68



IP68



Standard Scales

A. Float Material: SS316, SS316L available

Tube	L/H 20°C Water	NM ³ /H Air 0°C 1.013bar	PmmWater	Connection	Accuracy (NOTE 1.)
BF300Ea	1 ~ 10	0.03 ~ 0.3	≤750	½"	±5% F.S
BF300Eb	1.8 ~ 18	0.06 ~ 0.6	≤750	½"	±5% F.S
BF300Ec	2.5 ~ 25	0.075 ~ 0.75	≤750	½"	±5% F.S
BF3001E	4 ~ 30	0.1 ~ 1	≤750	½"	±5% F.S
BF3002E	4 ~ 40	0.13 ~ 1.3	≤750	½"	±5% F.S
BF3003E	5.5 ~ 55	0.17 ~ 1.7	≤750	½"	±5% F.S
BF3004E	8 ~ 80	0.2 ~ 2	≤750	½"	±2% F.S
BF3005E	16 ~ 160	0.5 ~ 5	≤750	½"	±2% F.S
BF3006E	18 ~ 180	0.6 ~ 6	≤750	½"	±2% F.S
BF3007E	30 ~ 300	1 ~ 10	≤750	½"	±2% F.S
BF3008E	50 ~ 500	1.5 ~ 15	≤750	½"	±2% F.S
BF3009E	60 ~ 600	1.8 ~ 18	≤750	½"	±2% F.S
BF3010E	70 ~ 700	2 ~ 20	≤750	½"	±2% F.S
BF3010E-1	100 ~ 1000	2 ~ 20	≤750	½"	±2% F.S
BF3011E	100 ~ 1000	3 ~ 30	≤750	¾"	±2% F.S
BF3011E-1	200 ~ 2000	3 ~ 30	≤750	¾"	±2% F.S
BF3012E	120 ~ 1200	4 ~ 40	≤750	1"	±2% F.S
BF3013E	160 ~ 1600	5 ~ 50	≤700	1"	±2% F.S
BF3014E	200 ~ 2000	6 ~ 60	≤700	1"	±2% F.S
BF3015E	240 ~ 2400	7 ~ 70	≤700	1"	±2% F.S
BF3016E	280 ~ 2800	8.5 ~ 85	≤700	1"	±2% F.S
BF3017E	320 ~ 3200	9 ~ 90	≤700	1"	±2% F.S
BF3018E	350 ~ 3500	10 ~ 100	≤700	1"	±2% F.S
BF3018E-1	500 ~ 5000	10 ~ 100	≤700	1"	±2% F.S
BF3019E	500 ~ 5000	14 ~ 140	≤650	1½"	±2% F.S
BF3020E	600 ~ 6000	15 ~ 150	≤650	1½"	±2% F.S
BF3021E	700 ~ 7000	20 ~ 200	≤650	1½"	±2% F.S
BF3022E	800 ~ 8000	24 ~ 240	≤650	1½"	±2% F.S
BF3022E-1	1100 ~ 11000	24 ~ 240	≤650	1½"	±2% F.S
BF3023E	1000 ~ 10000	30 ~ 300	≤650	2"	±2% F.S
BF3024E	1200 ~ 12000	35 ~ 350	≤650	2"	±2% F.S
BF3025E	1400 ~ 14000	40 ~ 400	≤650	2"	±2% F.S
BF3026E	1500 ~ 15000	45 ~ 450	≤1000	2"	±2% F.S
BF3026E-1	1800 ~ 18000	45 ~ 450	≤1000	2"	±2% F.S
BF3027E	1800 ~ 18000	60 ~ 600	≤800	2½"	±2% F.S
BF3028E	2000 ~ 20000	75 ~ 750	≤800	2½"	±2% F.S
BF3028E-1	3000 ~ 30000	75 ~ 750	≤800	2½"	±2% F.S
BF3029E	2300 ~ 23000	90 ~ 900	≤850	3"	±2% F.S
BF3030E	2500 ~ 25000	120 ~ 1200	≤1000	3"	±2% F.S
BF3031E	2800 ~ 28000	-----	≤1100	3"	±2% F.S
BF3032E	3000 ~ 30000	-----	≤1200	3"	±2% F.S
BF300Ed	4000 ~ 40000	120 ~ 1200	≤2000	3"	±2% F.S
BF300Ee	6000 ~ 60000	180 ~ 1800	≤2200	3"	±2% F.S
BF3033E	3500 ~ 35000	-----	≤1000	4"	±2% F.S
BF3034E	4000 ~ 40000	-----	≤1000	4"	±2% F.S
BF3035E	5000 ~ 50000	-----	≤1200	4"	±2% F.S
BF3036E	6000 ~ 60000	-----	≤1500	4"	±2% F.S
BF300Ef	8500 ~ 85000	260 ~ 2600	≤2000	4"	±2% F.S
BF300Eg	10000 ~ 90000	300 ~ 2900	≤2200	4"	±2% F.S
BF300Eh	8000 ~ 80000	240 ~ 2400	≤2000	5"	±2% F.S
BF3037E	10000 ~ 100000	300 ~ 3000	≤2000	5"	±2% F.S
BF3038E	12000 ~ 120000	360 ~ 3600	≤2000	5"	±2% F.S
BF3039E	15000 ~ 150000	450 ~ 4500	≤2500	6"	±2% F.S
BF3040E	20000 ~ 200000	500 ~ 5400	≤2500	6"	±2% F.S

B. Float Material: PVDF (only SS316+PTFE lining wetted parts available)

Tube	L/H 20°C Water	NM ³ /H Air 0°C 1.013bar	PmmWater	Connection	Accuracy (NOTE 1.)
BF3001EP	4 ~ 40	0.13 ~ 1.3	≤750	½"	±5% F.S
BF3002EP	5.5 ~ 55	0.17 ~ 1.7	≤750	½"	±5% F.S
BF3003EP	8 ~ 80	0.2 ~ 2	≤750	½"	±2% F.S
BF3004EP	16 ~ 160	0.5 ~ 5	≤750	½"	±2% F.S
BF3005EP	28 ~ 280	0.9 ~ 9	≤750	¾"	±2% F.S
BF3006EP	35 ~ 350	1.1 ~ 11	≤750	¾"	±2% F.S
BF3007EP	40 ~ 400	1.3 ~ 13	≤750	¾"	±2% F.S
BF3008EP	50 ~ 500	1.5 ~ 15	≤750	1"	±2% F.S
BF3009EP	70 ~ 700	2 ~ 20	≤700	1"	±2% F.S
BF3010EP	90 ~ 900	2.5 ~ 25	≤700	1"	±2% F.S
BF3011EP	100 ~ 1000	3 ~ 30	≤700	1"	±2% F.S
BF3012EP	120 ~ 1200	4 ~ 40	≤700	1"	±2% F.S
BF3013EP	160 ~ 1600	5 ~ 50	≤700	1"	±2% F.S
BF3014EP	200 ~ 2000	6 ~ 60	≤700	1"	±2% F.S
BF3015EP	250 ~ 2500	7 ~ 70	≤650	1"	±2% F.S
BF3016EP	300 ~ 3000	9 ~ 90	≤650	1½"	±2% F.S
BF3017EP	350 ~ 3500	10 ~ 100	≤650	1½"	±2% F.S
BF3018EP	450 ~ 4500	12 ~ 120	≤650	1½"	±2% F.S
BF3019EP	450 ~ 4500	13 ~ 130	≤650	1½"	±2% F.S
BF3020EP	500 ~ 5000	14 ~ 140	≤650	1½"	±2% F.S
BF3021EP	650 ~ 6500	18 ~ 180	≤650	2"	±2% F.S
BF3022EP	700 ~ 7000	-----	≤650	2"	±2% F.S
BF3023EP	800 ~ 8000	-----	≤650	2"	±2% F.S
BF3024EP	900 ~ 9000	-----	≤650	2½"	±2% F.S
BF3025EP	1000 ~ 10000	-----	≤650	2½"	±2% F.S

NOTE.

- The accuracy ±5% F.S for tube BF300Ea/b/c and BF3001E(P)-BF3003E(P). The accuracy ±2% F.S for tube BF3004E~BF3040E and BF3004EP~BF3025EP; option ±1.6% F.S on request.
- Performance Technical Data are effective with date of issue and are subject to change without prior notice.

Ordering Information

BF300E	Code	Type	Code	Connection size	
	G	Indicating only	2B	1/2" BSP (Female)	
			2N	1/2" NPT (Female)	
		Code	Body & wetted parts		
	A	SS316, standard	6B	3/4" BSP (Female)	
	B	SS316L	6N	3/4" NPT (Female)	
	C	PTFE lining + stainless steel	10B	1" BSP (Female)	
	D	option	10N	1" NPT (Female)	
		Code	Float material	4F	1/2" Flange
	A	SS316	6F	3/4" Flange	
	B	SS316L	10F	1" Flange	
	C	PVDF	12F	1 1/2" Flange	
	D	option	20F	2" Flange	
		Code	Connection rating	22F	2 1/2" Flange
	0	Thread connection	30F	3" Flange	
	5	JIS 5K	40F	4" Flange	
	10	JIS 10K	50F	5" Flange	
	20	JIS 20K	60F	6" Flange	
	15	ANSI 150#			
	30	ANSI 300#			
	60	ANSI 600#			
	90	ANSI 900#			
	T	Other: _____			
		Code	Protection Class		
		IP	IP68		
		Code	Fluid		
		G	Gas		
		O	Oil		
		L	Liquid		
		S	Steam		
		Code	Range		
		S	Standard range		
		Please directly fill out the flow range in the order code.			
		Code	Damper		
		D	With		
		N	Without		

BF300E

+

NOTE:

1. Custom-made flow range and flange size upon request.
2. Please fill in the ordering information and service condition, and fax this sheet along with your inquiry to 886-7-8225588.

Special instruction, if any:

Service Condition:

Fluid name: _____
 Sp. Gr. (density): _____
 Viscosity: _____
 Press.: _____
 Temp.: _____
 Full scale: _____