

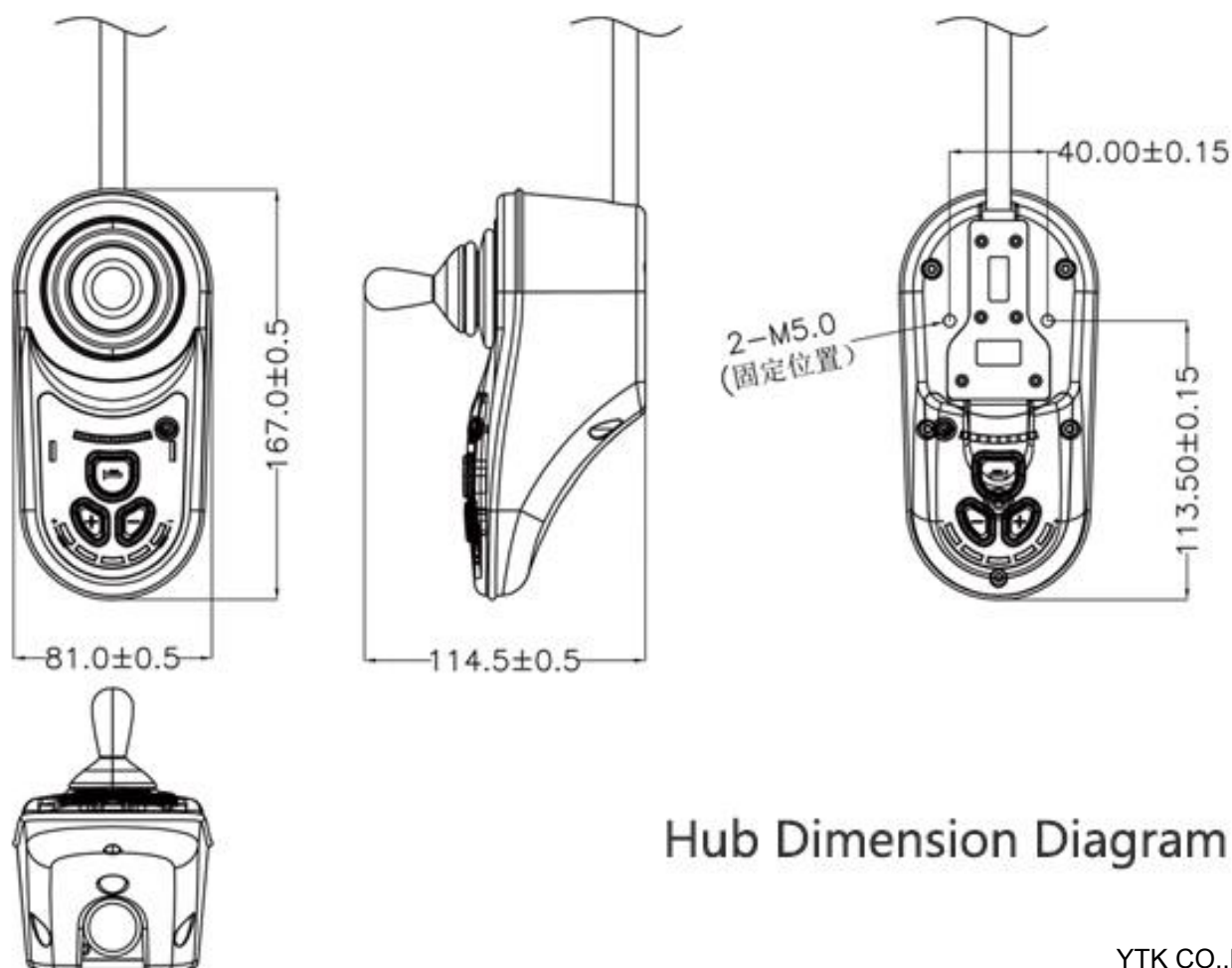
Wheelchair Kits



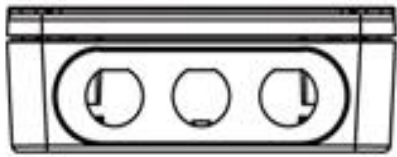
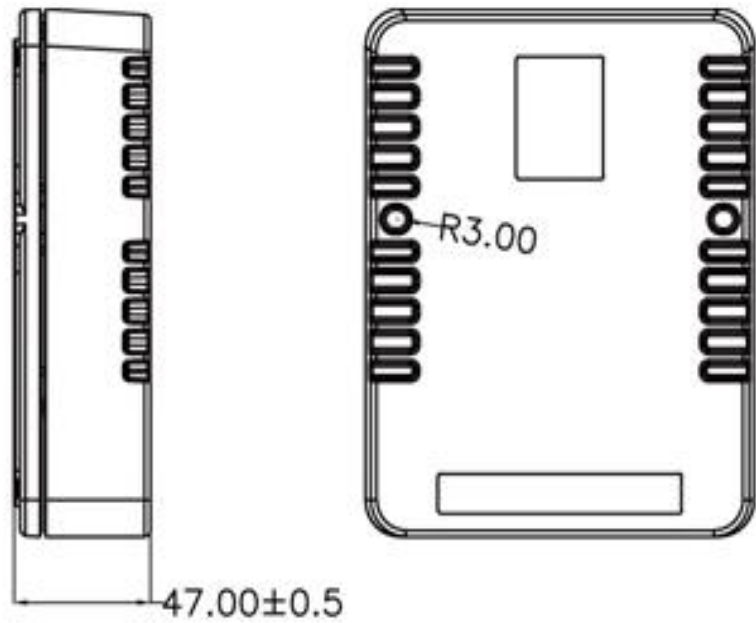
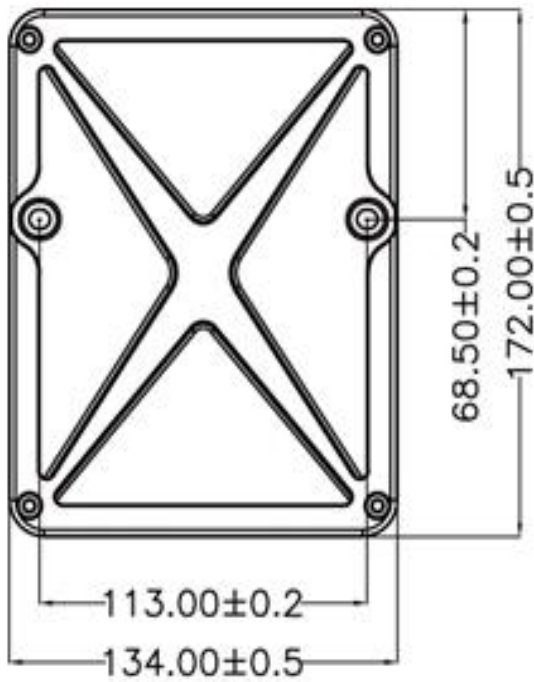
YL-K1+M10

Core Data :

Voltage	24V
Under-voltage	21V±0.5
Power	250W
No-load current	1.5A
Current limited	(17A±1)*2
Brake type	Electromagnetic brake
Control voltage	0.5-4.5V
Speed limited	< 6km/h
Operating temperature	—30C°—80C°
Weight	1041g (control box)
Size (joystick handle)	167mm*81mm*115mm
Size (control box)	176mm*135mm*47mm



Hub Dimension Diagram



Motor Dimension Diagram

Further specifications :

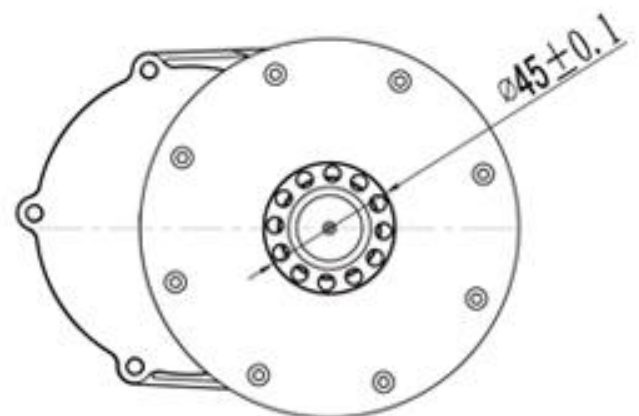
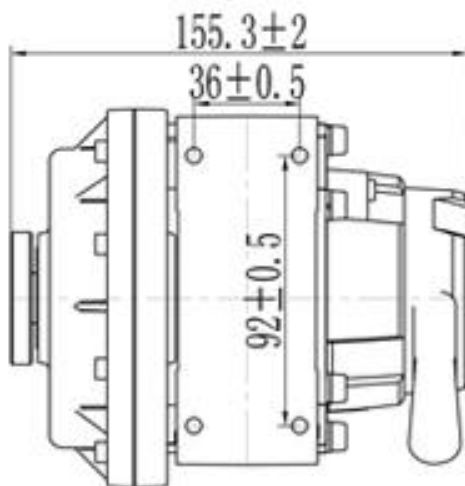
- EMC anti - interference
- Panel parameter setting
- Runaway protection
- Over current protection
- Over voltage protection
- Under voltage protection
- Short circuit protection
- Over temperature protection
- Locked rotor protection for motor

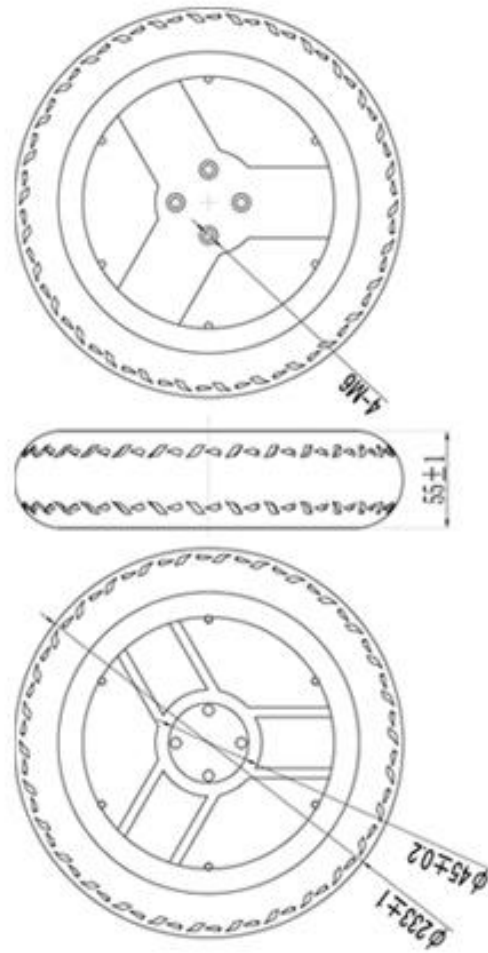
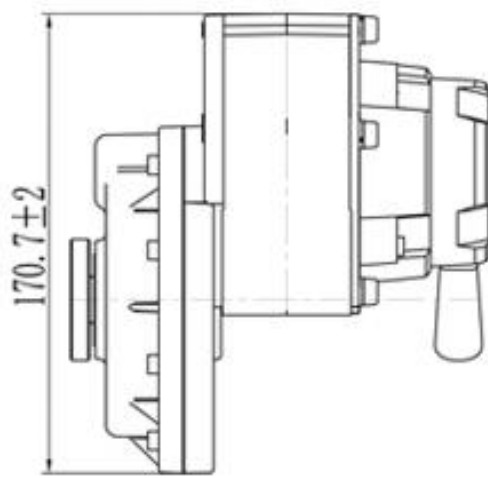
Tests&Certifications

IP65

CE/EN61000/EN60950/ISO90001

Voltage	24V dc
Power	250W
Structure	Gear Drive
No-load speed	3100 rpm
Output speed	130rpm
Start current	$\leq 1.8A$ max
No-load current	$\leq 1.1A$
Efficiency (%)	≥ 85
Tyre type	10 inch solid tire
Weight(KG/piece)	4.48 (including the wheels)
Operating temperature	$-30C^{\circ}-80C^{\circ}$
Brake type	Electromagnetic brake
Brake level	3N.m 24Vdc
Reduction Ratio	23:1
Noise Grade (dB)	≤ 60
Torque	0-30 N.M
Insulation Class	F
Insulation voltage	0 ~ 550Vac/1mA/1sec





Further specifications :

Brake type	Electromagnetic brake
Brake level	3N.m 24Vdc
Reduction Ratio	23:1
Noise Grade (dB)	≤60
Torque	0-30 N.M
Insulation Class	F
Insulation voltage	0 ~ 550Vac/1mA/1sec

Tests&Certifications

IP65

CE/EN61000/EN60950/ISO90001



Wiring

