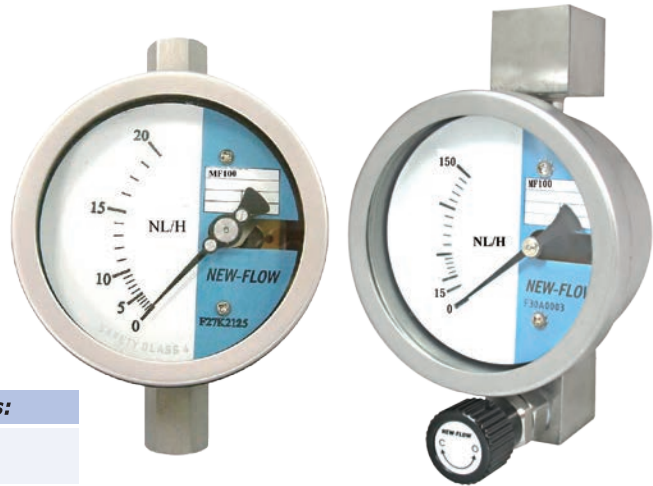


METAL TUBE MINI FLOW METER MF100E

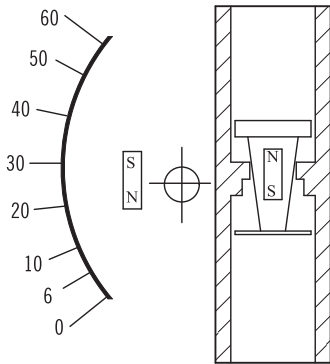
Technical Data

MF100E for mini low flow of gas, and liquid
Material: 316 stainless steel for case and body.
Indication: via magnetic coupling (no seals)
Flow rate: air- 8~150 NL/H
 water- 0.1~2.5 L/H
Working Temperature:
 Combine without electronic parts: -40°C~+180°C
Working Pressure: Standard 100 kg/cm²;
 other options upon request
Connection size: ¼" NPT or BSP available
Protection Class: IP66 / IP68
Accuracy: ± 5% FS

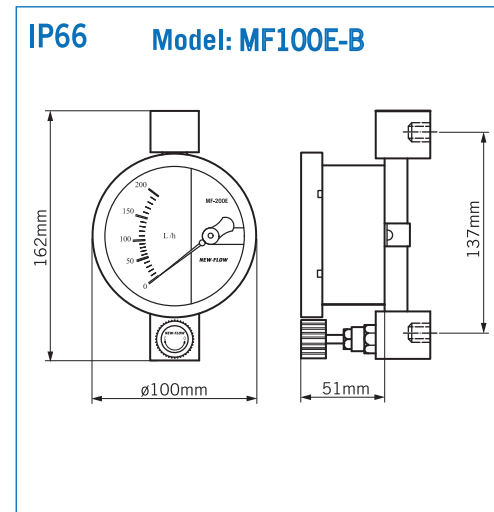
Approvals:



Principle



Dimensions



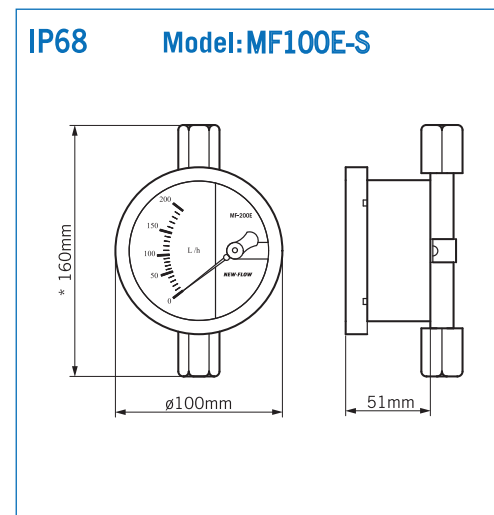
MF100E-B
 Basic Model:
 Rear connection + needle valve

Standard Scales

Tube	NL/H Air 0°C 1.013bar	L/H Water 20°C	Accuracy
MF1001	8~40 NL/H	0.1~0.5 L/H	±5% F.S
MF1002	10~70 NL/H	0.3~1.5 L/H	±5% F.S
MF1003	15~90 NL/H	0.4~2.0 L/H	±5% F.S
MF1004	15~150 NL/H	0.5~2.5 L/H	±5% F.S

NOTE.

Performance Technical Data are effective with date of issue and are subject to change without prior notice.



MF100E-S
 Basic Model:
 Thread connection

