

# METAL TUBE FLOW METER MF200E

## Technical Data

**MF200E for low flow of gas, liquid and steam**

**Material:** 316 stainless steel for case and body or option.

**Indication:** via magnetic coupling (no seals)

**Scales:** calibrated in l/h, m<sup>3</sup>/h, kg/h, %

**Flow rate:** water-0.4 l/h up to 4000 l/h

air-21 NL/h up to 120,000 NL/h

**Connection types:** BSP, NPT, flange type on request

**Working Temperature:**

Combine with electronic parts: -40°C~+150°C

Combine without electronic parts: -40°C~+180°C

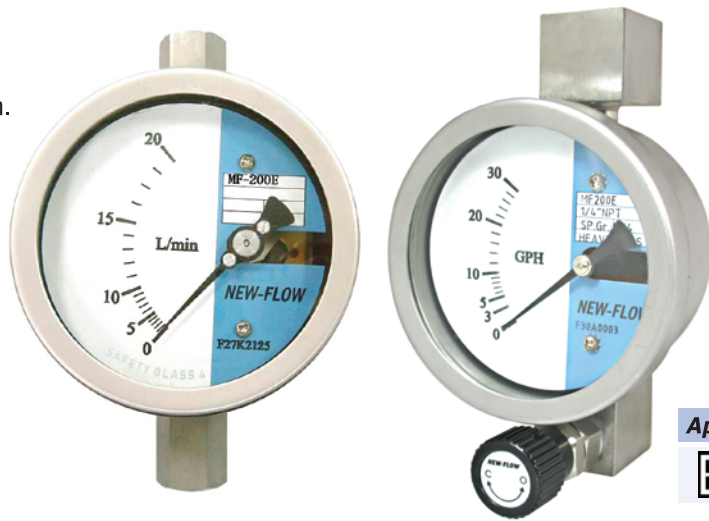
**Working Pressure:** Standard 100 kg/cm<sup>2</sup>;

other options upon request

**Connection size:** 1/4" ~ 1 1/2"

**Protection Class:** IP66 / IP68

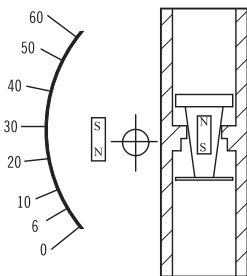
**Accuracy:** ± 2% FS (± 1.6% FS option)



**Approvals:**



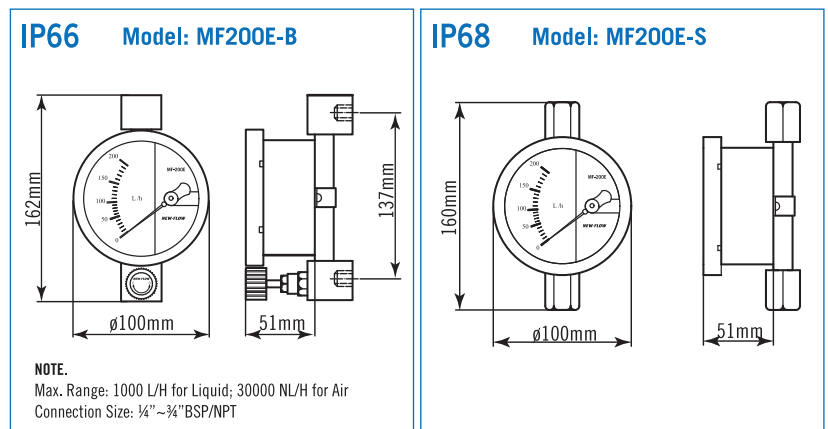
## Principle



## Standard Scales

| Tube    | L/H 20°C Water | NL/H Air 0°C 1.013 bar | ΔPmm Water | BSP /NPT | Accuracy (NOTE 1.) |
|---------|----------------|------------------------|------------|----------|--------------------|
| MF2001E | 0.4 ~ 4        | 21 ~ 210               | 340        | 1/4"     | ±6% F.S            |
| MF2002E | 0.6 ~ 6        | 33~330                 | 340        | 1/4"     | ±3% F.S            |
| MF2003E | 1 ~ 10         | 48~480                 | 340        | 1/4"     | ±2% F.S            |
| MF2004E | 1.5 ~ 15       | 60~600                 | 340        | 1/4"     | ±2% F.S            |
| MF2005E | 2 ~ 20         | 72~720                 | 340        | 1/4"     | ±2% F.S            |
| MF2006E | 3 ~ 30         | 90~900                 | 340        | 1/4"     | ±2% F.S            |
| MF2007E | 5 ~ 50         | 120~1200               | 340        | 1/4"     | ±2% F.S            |
| MF2008E | 6 ~ 60         | 180~1800               | 340        | 1/4"     | ±2% F.S            |
| MF2009E | 10 ~ 100       | 300~3000               | 340        | 1/4"     | ±2% F.S            |
| MF2010E | 15 ~ 150       | 500~5000               | 340        | 1/2"     | ±2% F.S            |
| MF2011E | 25 ~ 250       | 750~7500               | 340        | 1/2"     | ±2% F.S            |
| MF2012E | 45 ~ 450       | 1500 ~ 15000           | 340        | 1/2"     | ±2% F.S            |
| MF2013E | 75~750         | 2000~20000             | 340        | 3/4"     | ±2% F.S            |
| MF2014E | 100~1000       | 3000~30000             | 340        | 1"       | ±2% F.S            |
| MF2015E | 150~1500       | 5000~50000             | 450        | 1-1/2"   | ±2% F.S            |
| MF2016E | 200~2000       | 7500~75000             | 450        | 1-1/2"   | ±2% F.S            |
| MF2017E | 300~3000       | 9000~90000             | 450        | 1-1/2"   | ±2% F.S            |
| MF2018E | 350~3500       | 11000~110000           | 450        | 1-1/2"   | ±2% F.S            |
| MF2019E | 400~4000       | 12000~120000           | 450        | 1-1/2"   | ±2% F.S            |

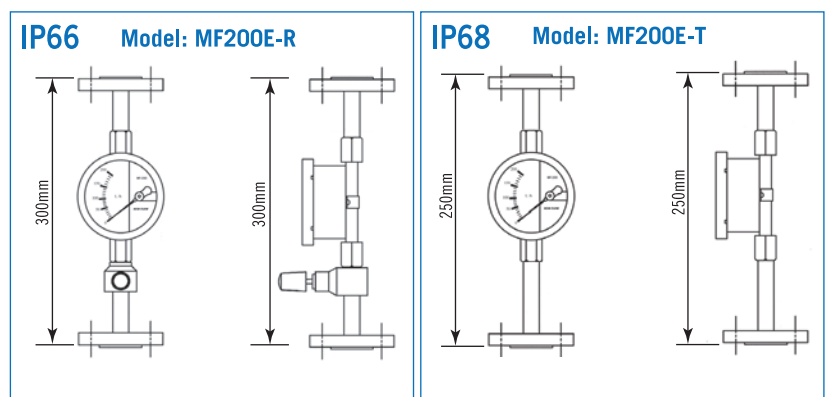
## Dimensions



**NOTE.**  
Max. Range: 1000 L/H for Liquid; 30000 NL/H for Air  
Connection Size: 1/4"~3/4" BSP/NPT

**MF200E-B**  
Basic Model:  
Rear connection + needle valve

**MF200E-S**  
Basic Model:  
Thread connection



**MF200E-R**  
Flange-needle Model:  
flange connection + needle valve

**MF200E-T**  
Flange Model:  
flange connection

### NOTE.

- The accuracy ±6% F.S for tube MF2001E; The accuracy ±3% F.S for tube MF2002E.  
The accuracy ±2% F.S for tube MF2003E~MF2019E and option ±1.6% F.S on request.
- Performance Technical Data are effective with date of issue and are subject to change without prior notice.

