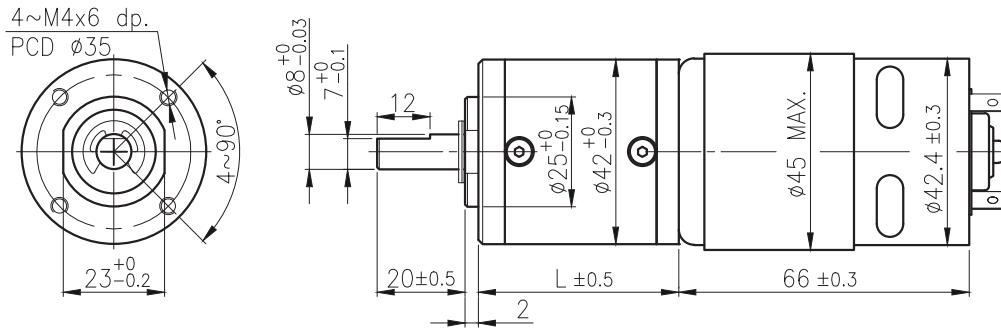


IG-42C



外形尺寸 & 馬達齒鉋合方法 / Appearance Size & Pinion Assembly Dimension



unit:mm

產品規格 / Product Specifications

| 外殼材質 Housing material | 輸出軸承型式 Bearing at output | 徑向負荷 Radial load (10mm from flange) | 軸向負荷 Shaft axial load | 主軸最大承受壓入力 Shaft press fit force, max. | 徑向間隙 Radial play of shaft | 軸向間隙 Thrust play of shaft | 背隙 (無負荷時) Backlash, at no-load |
|--------------------------|-----------------------------|--|--------------------------|--|------------------------------|------------------------------|-----------------------------------|
| 金屬 Metal | 含油軸承 Sleeve bearings | ≤ 5 kgf | ≤ 3 kgf | ≤ 15 kgf | ≤ 0.08 mm | ≤ 0.3 mm | $\leq 3^\circ$ |
| 金屬 Metal | 滾珠軸承 Ball bearings | ≤ 8 kgf | ≤ 3 kgf | ≤ 15 kgf | ≤ 0.05 mm | ≤ 0.3 mm | $\leq 3^\circ$ |

馬達齒輪型式 / Pinion Specifications

| 模數 Module | 齒數 No. of teeth | 壓力角 Pressure angle | 孔徑 (mm) Hole diameter | 減速比 Reduction ratio |
|--------------|--------------------|-----------------------|--------------------------|---|
| 0.6 | 12 | 20° | $\phi 3.98$ | 1/24, 1/144, 1/864 |
| 0.6 | 15 | 20° | $\phi 4.98$ | 1/720, 1/1062, 1/1470, 1/2500, 1/3000, 1/3600 |
| 0.6 | 18 | 20° | $\phi 4.98$ | 1/17, 1/61, 1/104, 1/212, 1/624 |
| 0.6 | 24 | 20° | $\phi 4.98$ | 1/14, 1/49, 1/84, 1/294, 1/504 |
| 0.6 | 20 | 20° | $\phi 4.98$ | 1/4 |

標準減速比型式 / Gearboxes Specifications

| 減速比 Reduction ratio | 1/4 | 1/14 | 1/17 | 1/24 | 1/49 | 1/61 | 1/84 | 1/104 | 1/144 | 1/212 | 1/294 | 1/504 | 1/624 | 1/720 | 1/864 | 1/1062 | 1/1470 | 1/2500 | 1/3000 | 1/3600 |
|---|------|------|------|------|------|------|------|-------|-------|-------|-------|-------|-------|-------|-------|--------|--------|--------|--------|--------|
| 定格容許扭力 (kgf-cm Max.) Rated tolerance torque | 3 | 8 | 8 | 8 | 18 | 18 | 18 | 20 | 20 | 25 | 25 | 30 | 30 | 30 | 30 | 30 | 30 | 30 | 30 | 30 |
| 瞬間容許扭力 (kgf-cm) Max momentary tolerance torque | 9 | 24 | 24 | 24 | 54 | 54 | 54 | 60 | 60 | 75 | 75 | 90 | 90 | 90 | 90 | 90 | 90 | 90 | 90 | 90 |
| 效率 Efficiency | 80% | 70% | 70% | 70% | 60% | 60% | 60% | 60% | 60% | 50% | 50% | 50% | 50% | 50% | 50% | 40% | 40% | 40% | 40% | 40% |
| 長度 Length (L) | 32.5 | 39.2 | 39.2 | 39.2 | 45.9 | 45.9 | 45.9 | 45.9 | 45.9 | 52.6 | 52.6 | 52.6 | 52.6 | 52.6 | 52.6 | 59.6 | 59.6 | 59.6 | 59.6 | 59.6 |
| 重量 (含油軸承) Weight (g) / Sleeve bearings | 141 | 193 | 193 | 193 | 233 | 233 | 233 | 233 | 233 | 283 | 283 | 283 | 283 | 283 | 283 | 328 | 328 | 328 | 328 | 328 |
| 重量 (滾珠軸承) Weight (g) / Ball bearings | 139 | 191 | 191 | 191 | 231 | 231 | 231 | 231 | 231 | 281 | 281 | 281 | 281 | 281 | 281 | 326 | 326 | 326 | 326 | 326 |

- 使用相對溼度：20%~85%RH
Operating relative humidity
- 使用溫度範圍：-10°C~+60°C
Operating temperature range