

# PLASTIC FLOW METER

**VF350** with alarm switch type  
without alarm switch type

Approvals:



## Technical Data

**Service:** Liquid, Air

**Wetted parts material:**

Body: Polycarbonate (P.C); Polysulfone (PSU) available

O-ring: Viton

Float: SS316

Connection: SS316

**Connection size:** ¾", 1", 1¼", 1½"NPT female available

**Mounting:** Vertical position

**Max. working pressure limit:** 1.2 MPa (12 kg/cm<sup>2</sup>)

**Max. test pressure:** 2.0 MPa (20 kg/cm<sup>2</sup>) (water 25°C)

**Max. working temperature limit:** -10°C to 60°C (for PC body)  
-10°C to 110°C (for PSU body)

**Accuracy:** ±5% full scale

**Alarm switch:** One setting point,  
form A N.O. type bistable reed switch

**Switch rating:** AC 125V 0.5A / DC 100V 10W /  
Max. DC 250V < 40mA

**Weight:** 0.45~0.5 kg

(Contact setting point should be within 10% to 80% of FS)



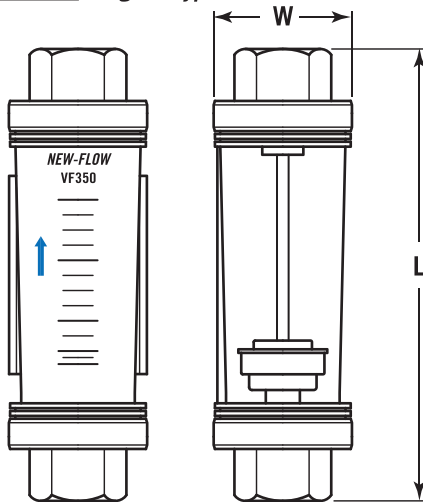
Fixed Type



Original Type

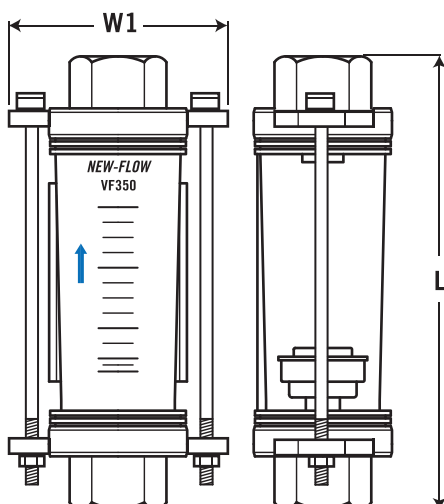
## Dimensions-mm

### VF-350-G: Original Type



Size (NPT)	L (mm)	W (mm)
¾"	165.5	55
1"	165.5	55
1¼"	175	60
1½"	175	60

### VF-350-F: Fixed Type



Size (NPT)	L (mm)	W1 (mm)
¾"	165.5	85
1"	165.5	85
1¼"	175	92
1½"	175	92

## Flow Direction Types



## Ordering Information

VF350	Code	Type
	<b>G</b>	Original Type
	<b>F</b>	Fixed Type
	<b>Code</b>	<b>Flow Range</b>
	<b>A</b>	Air, 100~600 LPM (Normal Litter per Minute) (only for connection size ¾" or 1")
	<b>B</b>	Water, 200~1000 LPH (Litter per Hour) (only for connection size ¾" or 1")
	<b>C</b>	Air, 250~1000 LPM (Normal Litter per Minute) (only for connection size 1¼" or 1½")
	<b>D</b>	Water, 500~2000 LPH (Litter per Hour) (only for connection size 1¼" or 1½")
	<b>E</b>	Air, 2~20 SCFM (Standard Cubic Feet per Minute) (only for connection size ¾" or 1")
	<b>F</b>	Water, 50~250 GPH (Gallon (us) per Hour) (only for connection size ¾" or 1")
	<b>G</b>	Air, 10~35 SCFM (Standard Cubic Feet per Minute) (only for connection size 1¼" or 1½")
	<b>H</b>	Water, 150~500 GPH (Gallon (us) per Hour) (only for connection size 1¼" or 1½")
	<b>Code</b>	<b>Alarm Switch</b>
	<b>1R</b>	One setting point
	<b>O</b>	Without alarm
	<b>Code</b>	<b>Body Material</b>
	<b>PC</b>	Polycarbonate
	<b>PSU</b>	Polysulfone
	<b>Code</b>	<b>Connection Material</b>
	<b>1</b>	SS316
	<b>Code</b>	<b>Process Connection (Female)</b>
	<b>A</b>	¾"NPT
	<b>B</b>	1"NPT
	<b>C</b>	1¼"NPT
	<b>D</b>	1½"NPT
	<b>Code</b>	<b>Flow Direction</b>
	<b>BT</b>	Bottom to Top

VF350									Complete Ordering Code
-------	--	--	--	--	--	--	--	--	------------------------