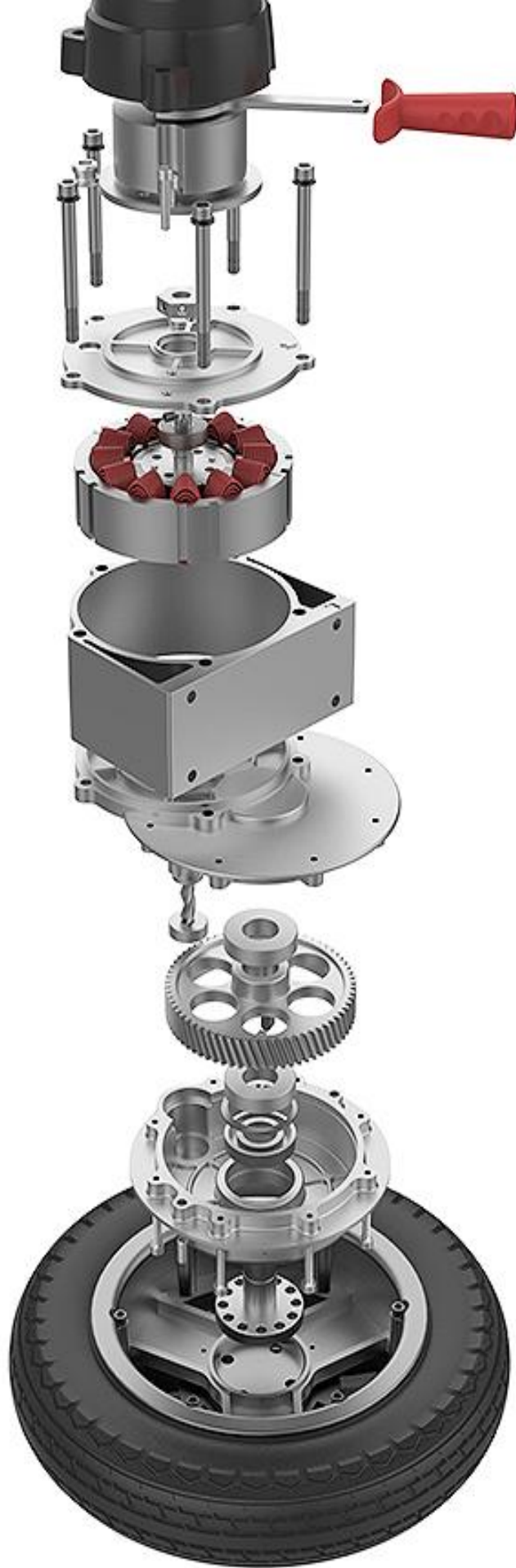


Wheelchair Motor



YLM-10





Further specifications:

Brake type
Electromagnetic brake

Brake level
3N.m 24Vdc

Reduction Ratio
23:1

Noise Grade (dB)
≤60

Torque
0-30 N.M

Insulation Class
F

Insulation voltage
0 ~ 550Vac/1mA/1sec

Core Data:

YLM-10

Voltage	24V dc
Power	250W
Structure	Gear Drive
No-load speed	3100 rpm
Output speed	130rpm
Start current	$\leq 1.8A$ max
No-load current	$\leq 1.1A$
Efficiency (%)	≥ 85
Tyre type	10 inch solid tire
Weight(KG/piece)	4.48 (including the wheels)
Operating temperature	$-30C^{\circ}$ — $80C^{\circ}$
Brake type	Electromagnetic brake
Brake level	3N.m 24Vdc
Reduction Ratio	23:1
Noise Grade (dB)	≤ 60
Torque	0-30 N.M
Insulation Class	F
Insulation voltage	0 ~ 550Vac/1mA/1sec

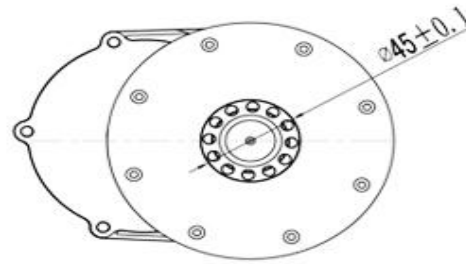
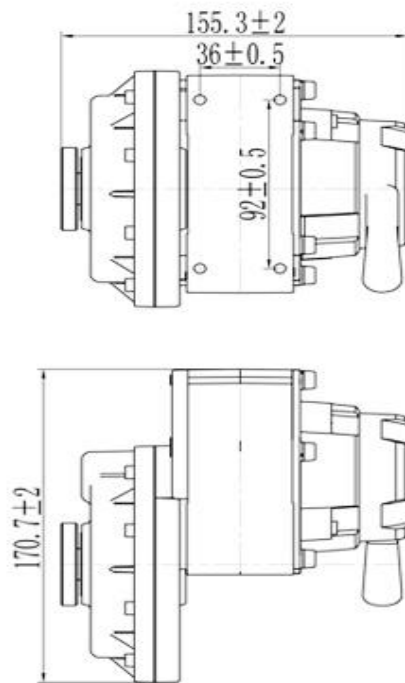
Tests&Certifications

IP65

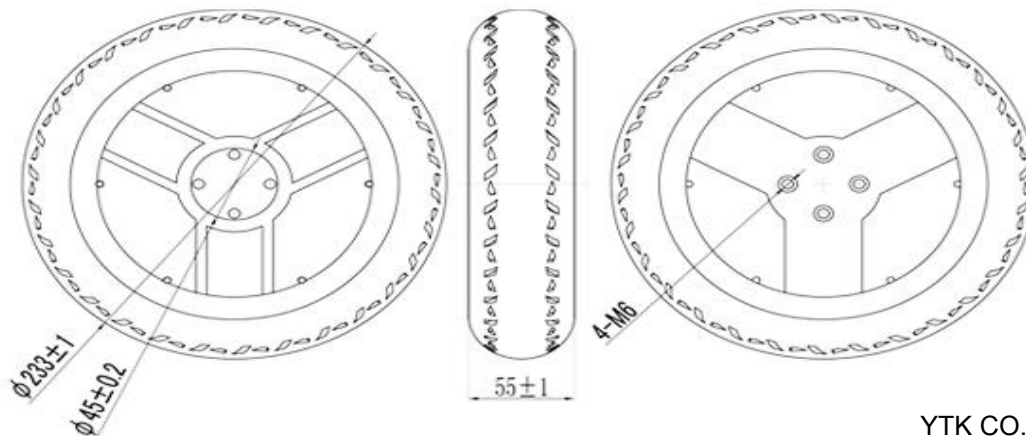
CE/EN61000/EN60950/ISO90001



Dimension



Motor Dimension Diagram



Hub Dimension Diagram

