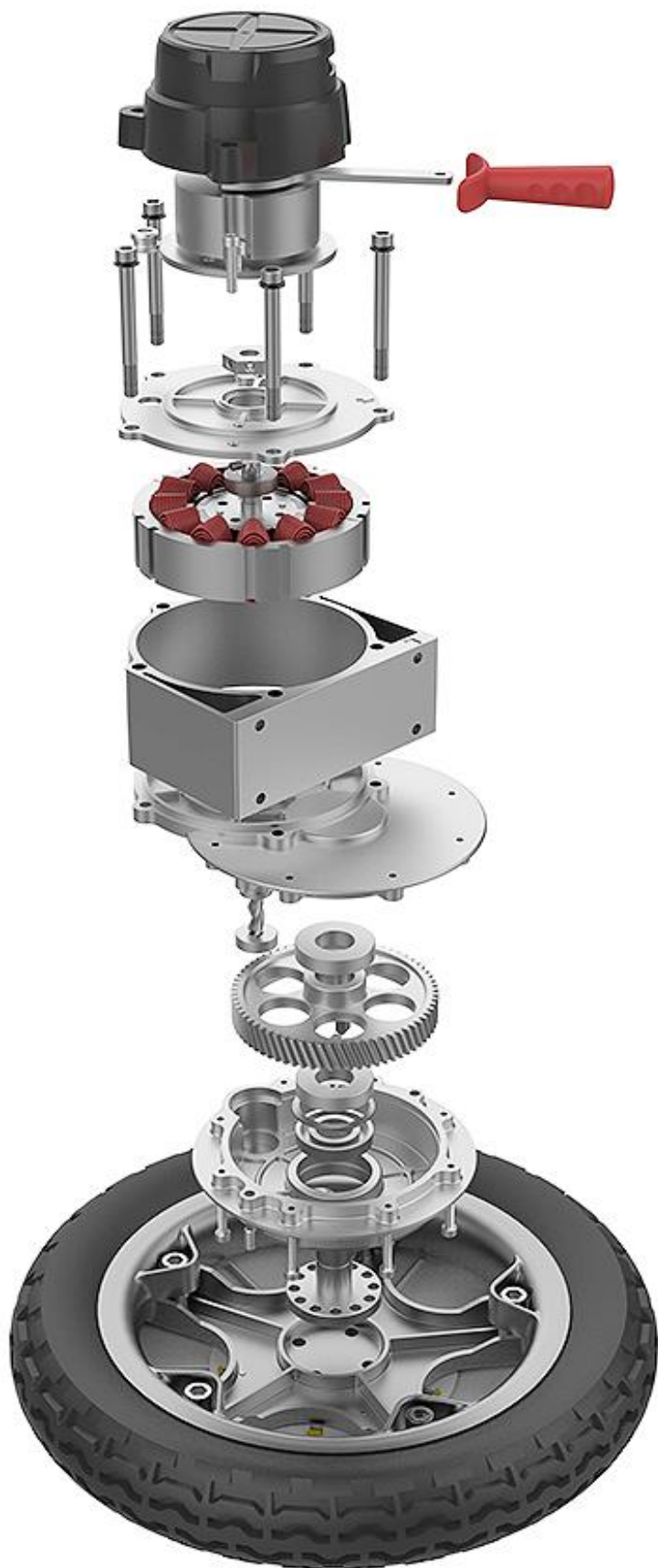


Wheelchair Motor



YLM-12





Further specifications:

Brake type
Electromagnetic brake

Brake level
3N.m 24Vdc

Reduction Ratio
23:1

Noise Grade (dB)
≤60

Torque
0-30 N.M

Insulation Class
F

Insulation voltage
0 ~ 550Vac/1mA/1sec

YLM-12-1

Core Data:

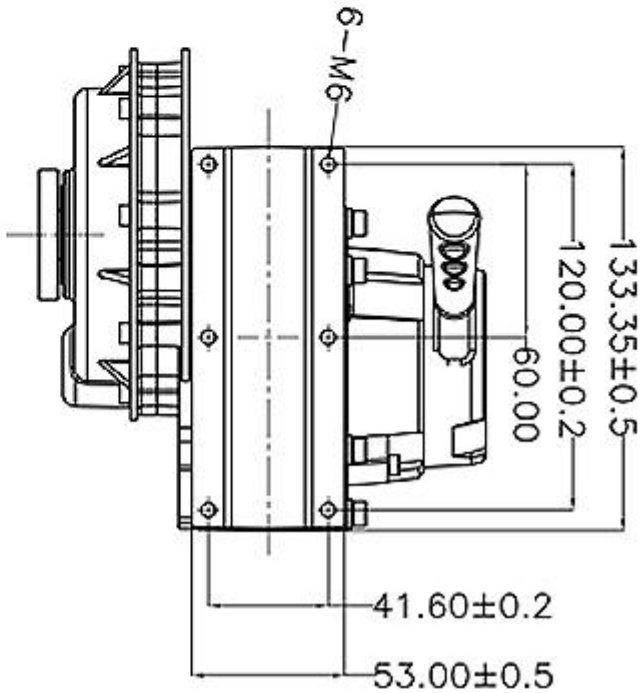
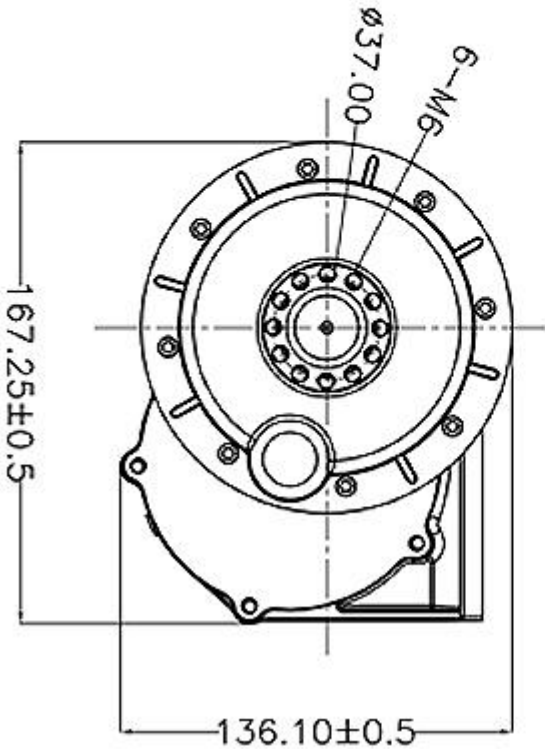
Voltage	24V dc
Power	250W
Structure	Gear Drive
No-load speed	2200 rpm
Output speed	98rpm
Start current	$\leq 1.8A$ max
No-load current	$\leq 1.1A$
Efficiency (%)	≥ 85
Tyre type	12 inch solid tire
Weight(KG/piece)	4.88 (including the wheels)
Operating temperature	$-30C^{\circ}$ — $80C^{\circ}$
Brake type	Electromagnetic brake
Brake level	3N.m 24Vdc
Reduction Ratio	23:1
Noise Grade (dB)	≤ 60
Torque	0-30 N.M
Insulation Class	F
Insulation voltage	0 ~ 550Vac/1mA/1sec



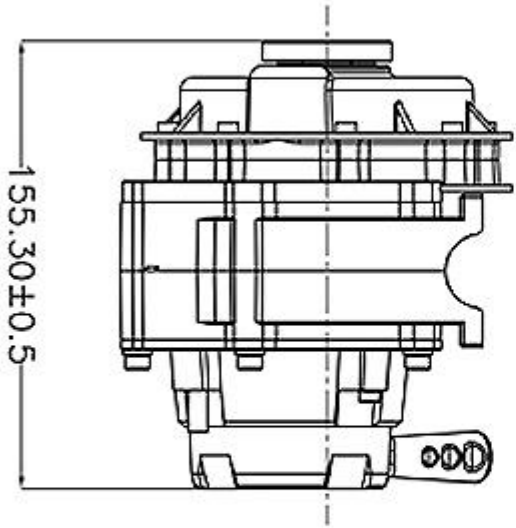
Tests&Certifications

IP65

CE/EN61000/EN60950/ISO90001



Motor Dimension Diagram



Hub Dimension Diagram

