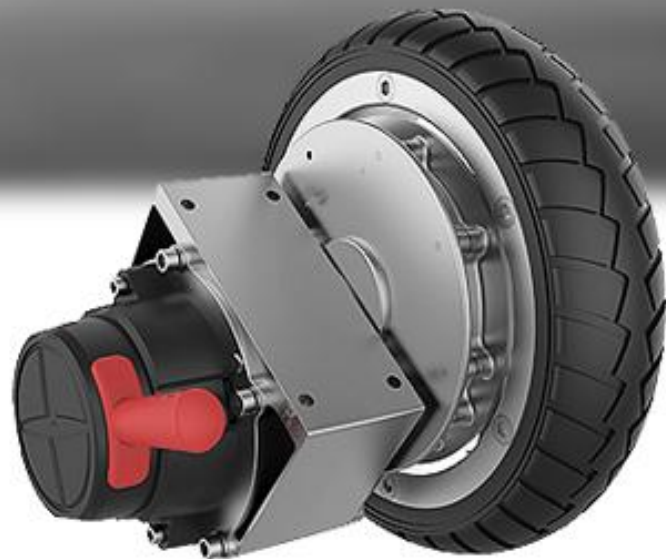


Wheelchair Motor

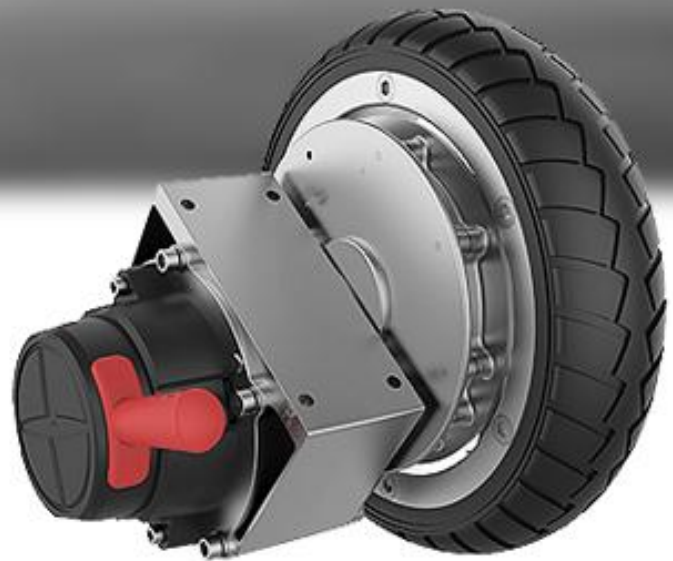


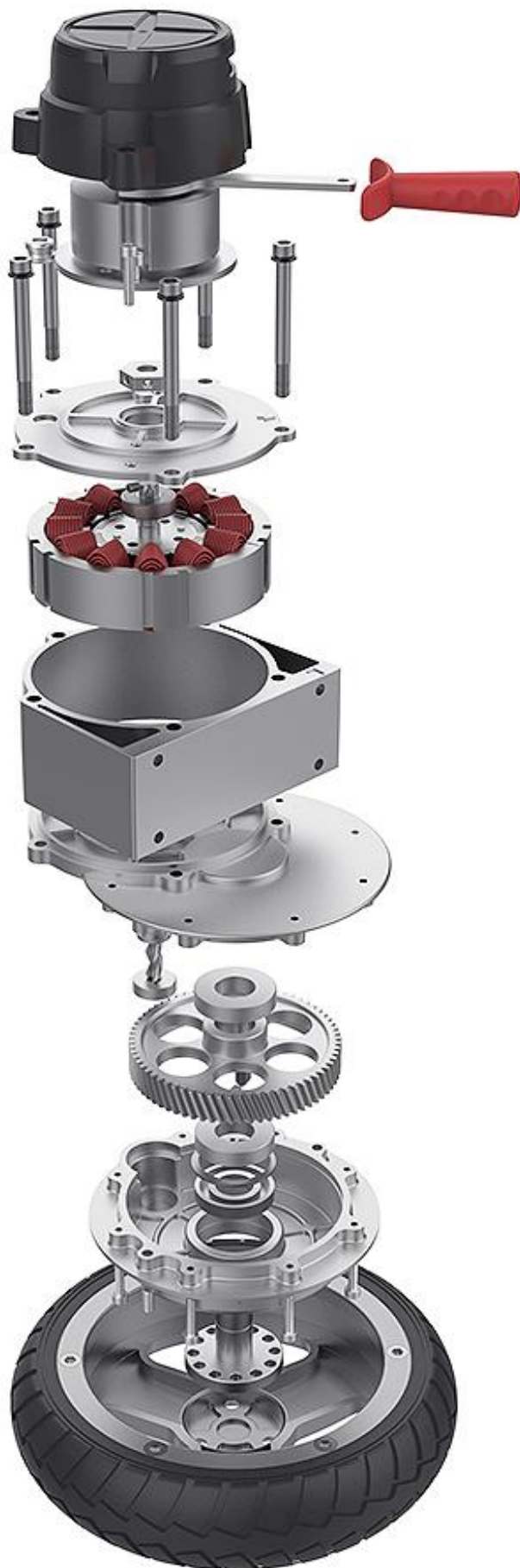
YLM-8





YLM-8





Further specifications:

Brake type
Electromagnetic brake

Brake level
3N.m 24Vdc

Reduction Ratio
23:1

Noise Grade (dB)
≤60

Torque
0-30 N.M

Insulation Class
F

Insulation voltage
0 ~ 550Vac/1mA/1sec

YLM-8

Core Data:

Voltage	24V dc
Power	250W
Structure	Gear Drive
No-load speed	3400 rpm
Output speed	150rpm
Start current	≦ 1.8A max
No-load current	≦ 1.1A
Efficiency (%)	≧ 85
Tyre type	8 inch solid tire
Weight(KG/piece)	4.26 (including the wheels)
Operating temperature	—30C°—80C°
Brake type	Electromagnetic brake
Brake level	3N.m 24Vdc
Reduction Ratio	23:1
Noise Grade (dB)	≦ 60
Torque	0-30 N.M
Insulation Class	F
Insulation voltage	0 ~ 550Vac/1mA/1sec



Tests&Certifications

IP65

CE/EN61000/EN60950/ISO90001

YTK CO.,LTD.
[Http://www.ytk-group.co.jp](http://www.ytk-group.co.jp)

