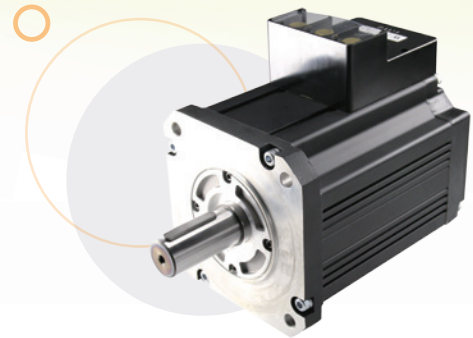


Brushless

BL180 Series specification of motor



BLJ0S

額定電壓 Rated Voltage	48VDC	155VDC±10%
額定電壓 Rated Voltage		310VDC±10%
額定功率 Rated Power	2000W	
額定轉矩 Rated Torque	96kg-cm	
額定相電流 Rated Phase Current	56A	17.2A/ 8.6A
額定轉速 Rated Speed	2000RPM	
槽極數配合 Slot-Pole	8 極 12 槽 (8P12S)	
防護等級 Degree of Protection	IP54	

BLJ0M

額定電壓 Rated Voltage	48VDC	155VDC±10%
額定電壓 Rated Voltage		310VDC±10%
額定功率 Rated Power	3500W	
額定轉矩 Rated Torque	167kg-cm	
額定相電流 Rated Phase Current	97A	30A/ 15A
額定轉速 Rated Speed	2000RPM	
槽極數配合 Slot-Pole	8 極 12 槽 (8P12S)	
防護等級 Degree of Protection	IP54	

BLJ0L

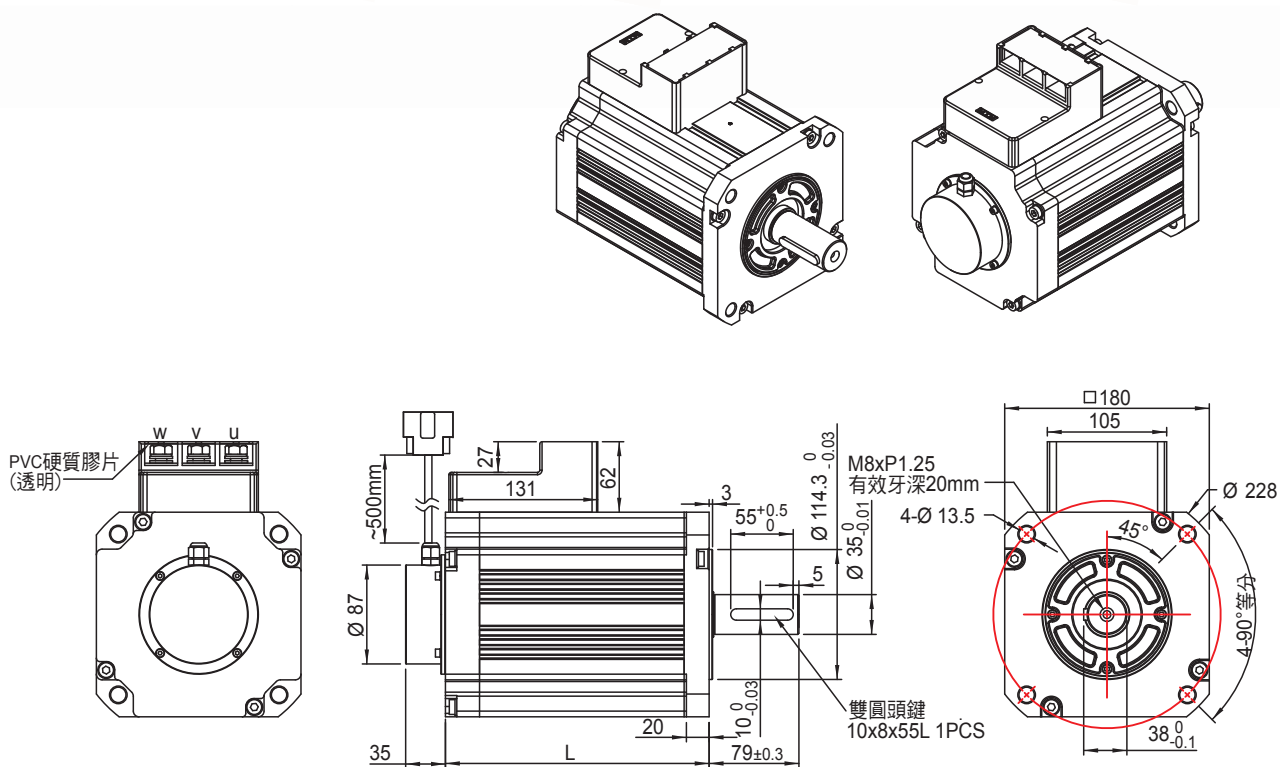
額定電壓 Rated Voltage	48VDC	155VDC±10%
額定電壓 Rated Voltage		310VDC±10%
額定功率 Rated Power	5000W	
額定轉矩 Rated Torque	239kg-cm	
額定相電流 Rated Phase Current	139A	43A/ 21.5A
額定轉速 Rated Speed	2000RPM	
槽極數配合 Slot-Pole	8 極 12 槽 (8P12S)	
防護等級 Degree of Protection	IP54	

Please contact the salesman if customer have other motor request such as motor shaft, speed or voltage.

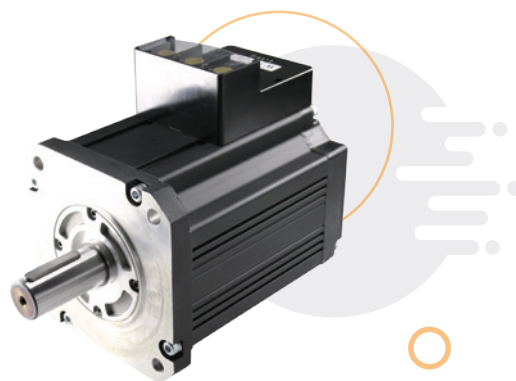
特殊規格及其他需求請洽詢業務人員

Brushless

BL180 Series outline dimension drawing



馬達 Motor	
機種 (Model)	長度 (Length) L
BLJ0S	172mm
BLJ0M	232mm
BLJ0L	292mm



Please contact the salesman if customer have other motor request such as motor shaft, speed or voltage.

特殊規格及其他需求請洽詢業務人員