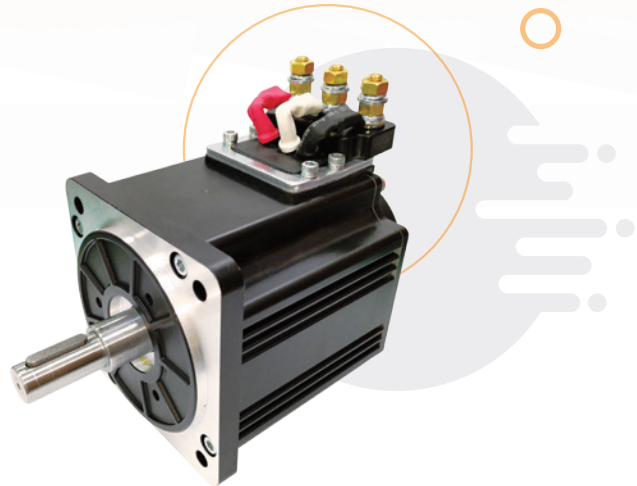


## Brushless

### BL130 Series specification of motor



#### BLD0N

額定電壓 Rated Voltage	24VDC	48VDC
額定功率 Rated Power	1000W	1500W
額定轉矩 Rated Torque	33kg-cm	48kg-cm
額定相電流 Rated Phase Current	56A	38A
額定轉速 Rated Speed	3000RPM	
槽極數配合 Slot-Pole	8 極 12 槽 (8P12S)	
防護等級 Degree of Protection	IP54	

#### BLD0M

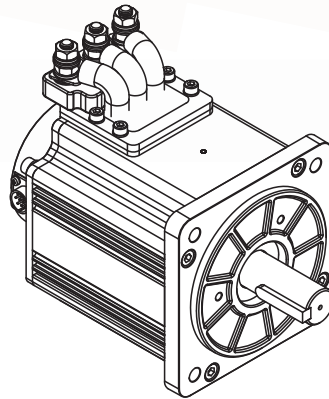
額定電壓 Rated Voltage	48VDC
額定功率 Rated Power	2000W
額定轉矩 Rated Torque	65kg-cm
額定相電流 Rated Phase Current	50A
額定轉速 Rated Speed	3000RPM
槽極數配合 Slot-Pole	8 極 12 槽 (8P12S)
防護等級 Degree of Protection	IP54

Please contact the salesman if customer have other motor request such as motor shaft, speed or voltage.

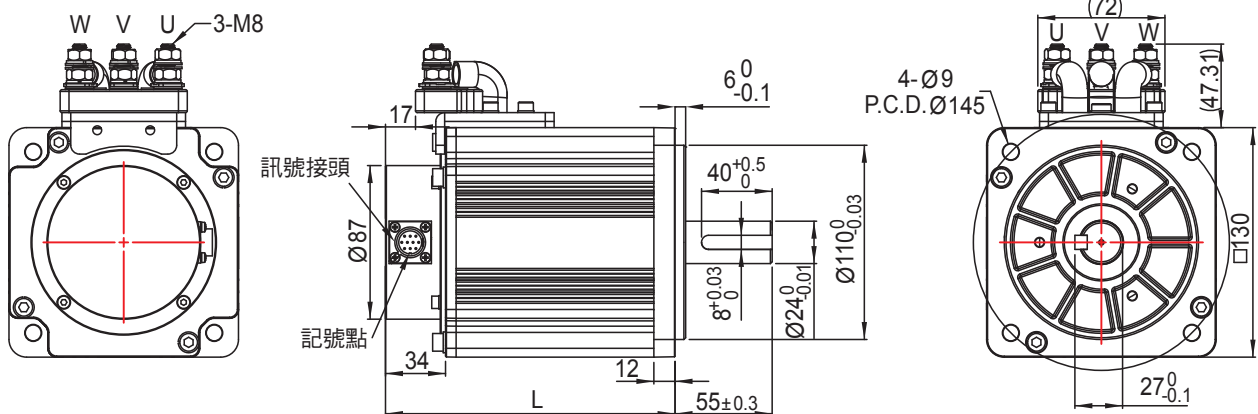
特殊規格及其他需求請洽詢業務人員

# Brushless

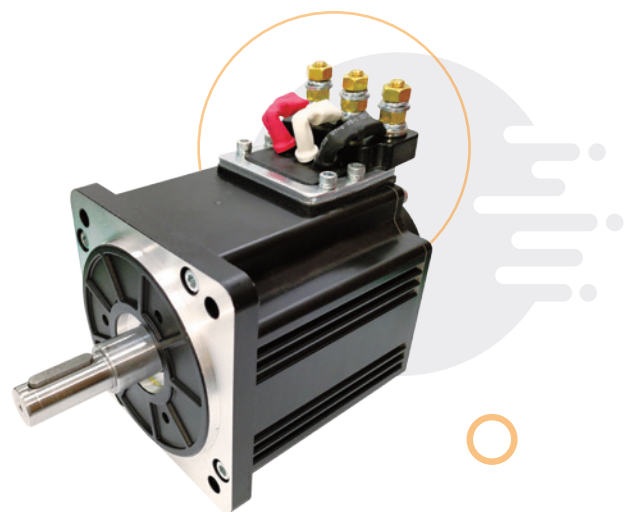
## BL130 Series outline dimension drawing



外接動力線配線建議:6AWG(截面積約13mm<sup>2</sup>)以上



馬達 Motor	
機種 (Model)	長度 (Length) L
BLD0N	164mm
BLD0M	184mm



Please contact the salesman if customer have other motor request such as motor shaft, speed or voltage.

特殊規格及其他需求請洽詢業務人員