

Brushless

BL104 Series specification of motor



BLA4S

額定電壓 Rated Voltage	48VDC	155VDC±10%
額定電壓 Rated Voltage		310VDC±10%
額定功率 Rated Power	400W	
額定轉矩 Rated Torque	12.7kg-cm	
額定相電流 Rated Phase Current	9.9A	3.0A / 1.5A
額定轉速 Rated Speed	3000RPM	
槽極數配合 Slot-Pole	8 極 12 槽 (8P12S)	
防護等級 Degree of Protection	IP54	



BLA4M

額定電壓 Rated Voltage	48VDC	155VDC±10%
額定電壓 Rated Voltage		310VDC±10%
額定功率 Rated Power	750W	
額定轉矩 Rated Torque	23.8kg-cm	
額定相電流 Rated Phase Current	18.5A	6.0A / 3.0A
額定轉速 Rated Speed	3000RPM	
槽極數配合 Slot-Pole	8 極 12 槽 (8P12S)	
防護等級 Degree of Protection	IP54	



BLA4L

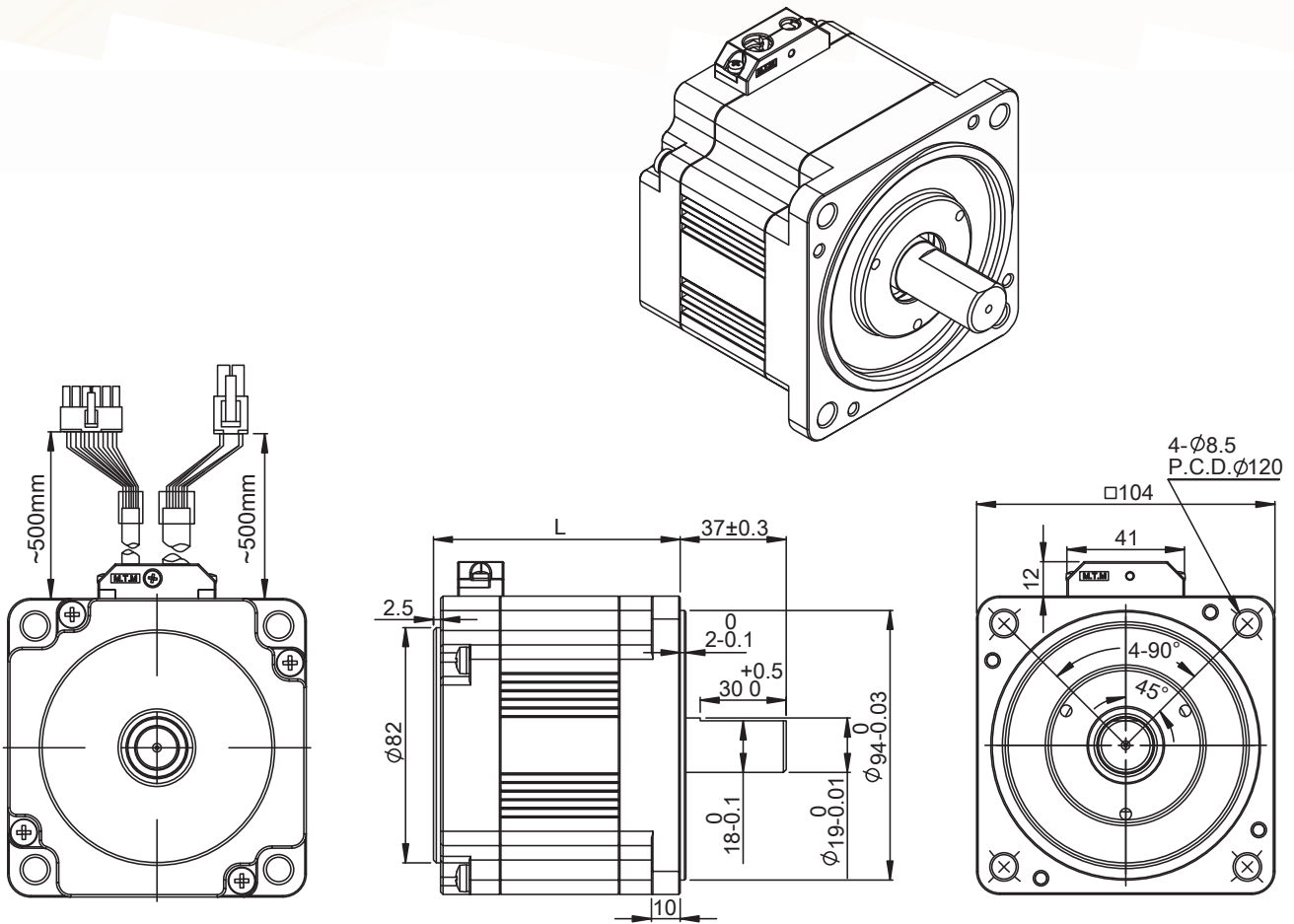
額定電壓 Rated Voltage	48VDC	155VDC±10%
額定電壓 Rated Voltage		310VDC±10%
額定功率 Rated Power	1000W	
額定轉矩 Rated Torque	31.8kg-cm	
額定相電流 Rated Phase Current	24.7A	8.3A / 4.15A
額定轉速 Rated Speed	3000RPM	
槽極數配合 Slot-Pole	8 極 12 槽 (8P12S)	
防護等級 Degree of Protection	IP54	

Please contact the salesman if customer have other motor request such as motor shaft, speed or voltage.

特殊規格及其他需求請洽詢業務人員

Brushless

BL104 Series outline dimension drawing



馬達 Motor	
機種 (Model)	長度 (Length) L
BLA4S	86mm
BLA4M	116mm
BLA4L	146mm



Please contact the salesman if customer have other motor request such as motor shaft, speed or voltage.

特殊規格及其他需求請洽詢業務人員