

Brushless

BL90 Series specification of motor



BL90X

額定電壓 Rated Voltage	24VDC	155VDC±10% 310VDC±10%
額定功率 Rated Power	100W	
額定轉矩 Rated Torque	3.2kg-cm	
額定相電流 Rated Phase Current	5.7A	0.87A/0.44A
額定轉速 Rated Speed	3000RPM	
槽極數配合 Slot-Pole	8 極 12 槽 (8P12S)	
防護等級 Degree of Protection	IP54	



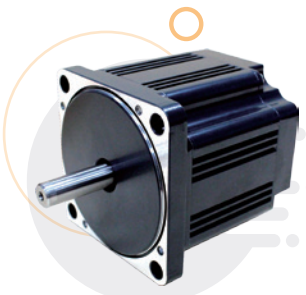
BL90S

額定電壓 Rated Voltage	24VDC	155VDC±10% 310VDC±10%
額定功率 Rated Power	150W	
額定轉矩 Rated Torque	4.8kg-cm	
額定相電流 Rated Phase Current	8.0A	1.4A/0.7A
額定轉速 Rated Speed	3000RPM	
槽極數配合 Slot-Pole	8 極 12 槽 (8P12S)	
防護等級 Degree of Protection	IP54	



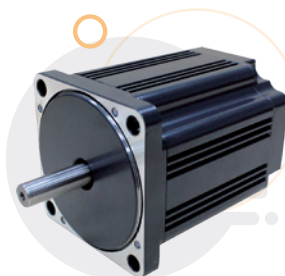
BL90N

額定電壓 Rated Voltage	24VDC	155VDC±10% 310VDC±10%
額定功率 Rated Power	200W	
額定轉矩 Rated Torque	6.4kg-cm	
額定相電流 Rated Phase Current	10.2A	1.8A/0.9A
額定轉速 Rated Speed	3000RPM	
槽極數配合 Slot-Pole	8 極 12 槽 (8P12S)	
防護等級 Degree of Protection	IP54	



BL90M

額定電壓 Rated Voltage	24VDC	155VDC±10% 310VDC±10%
額定功率 Rated Power	350W	
額定轉矩 Rated Torque	11.2kg-cm	
額定相電流 Rated Phase Current	16A	2.9A/1.45A
額定轉速 Rated Speed	3000RPM	
槽極數配合 Slot-Pole	8 極 12 槽 (8P12S)	
防護等級 Degree of Protection	IP54	



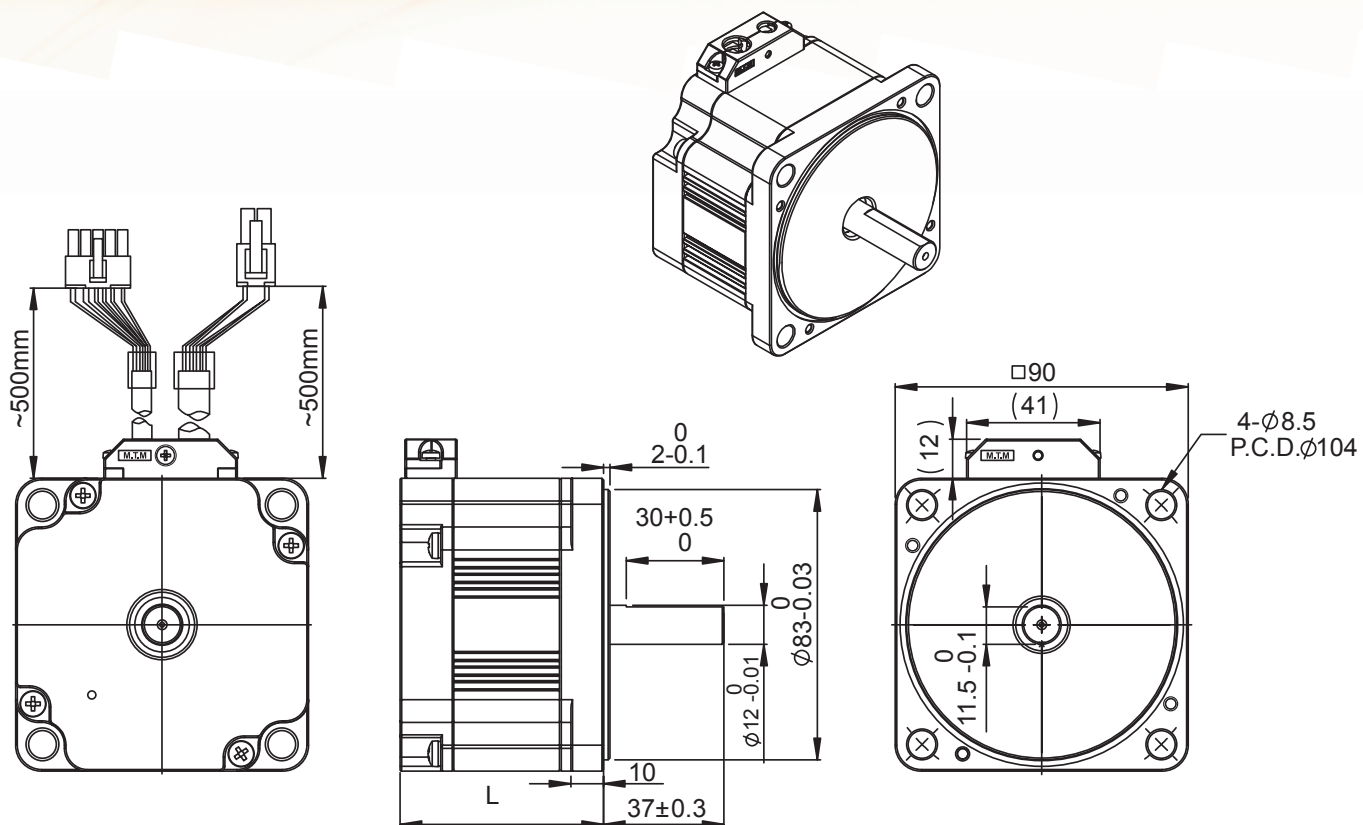
BL90L

額定電壓 Rated Voltage	48VDC	155VDC±10% 310VDC±10%
額定功率 Rated Power	500W	
額定轉矩 Rated Torque	16kg-cm	
額定相電流 Rated Phase Current	12.8A	4.4A/2.2A
額定轉速 Rated Speed	3000RPM	
槽極數配合 Slot-Pole	8 極 12 槽 (8P12S)	
防護等級 Degree of Protection	IP54	

Please contact the salesman if customer have other motor request such as motor shaft, speed or voltage.
特殊規格及其他需求請洽詢業務人員

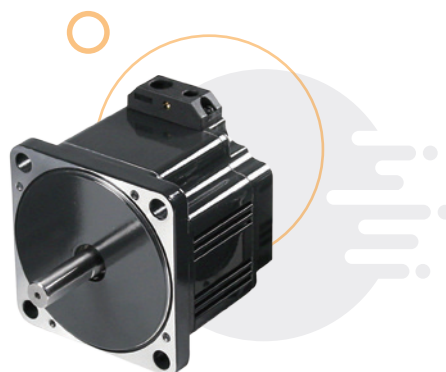
Brushless

BL90 Series outline dimension drawing



馬達 Motor

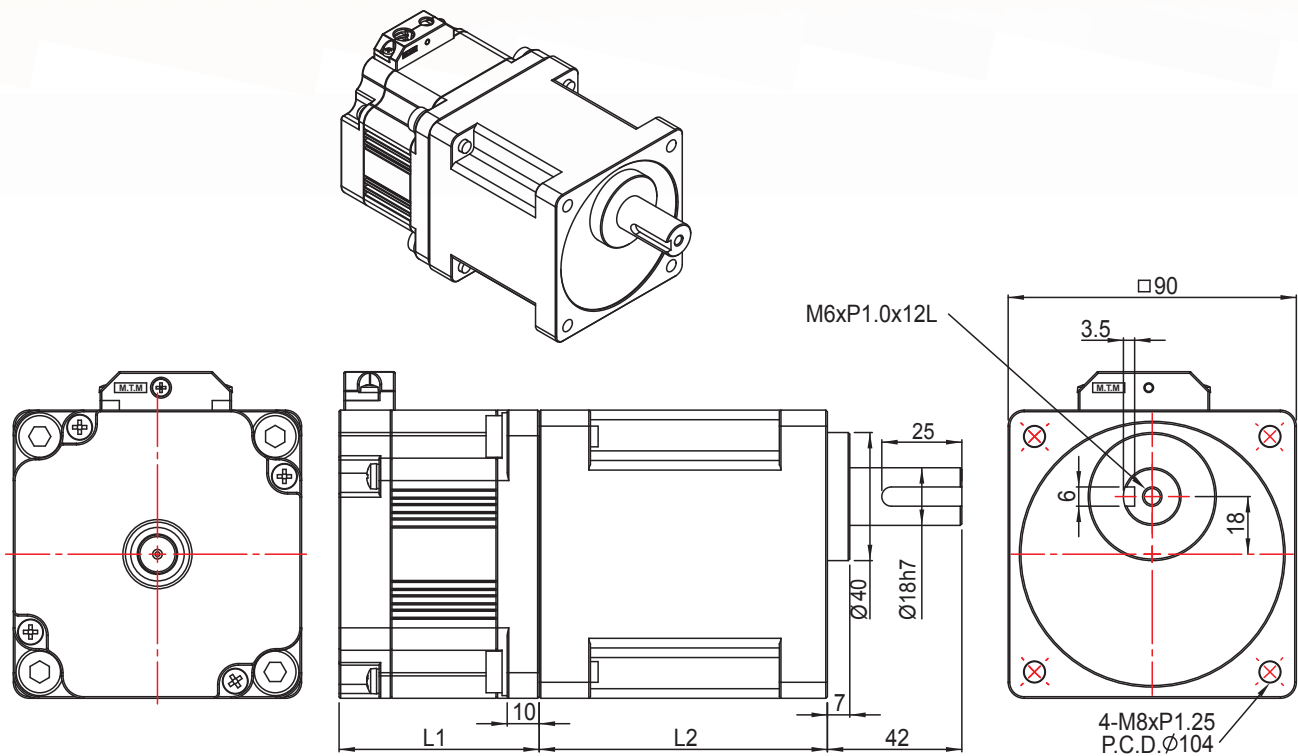
機種 (Model)	長度 (Length) L
BL90X	52.5mm
BL90S	62.5mm
BL90N	72.5mm
BL90M	87.5mm
BL90L	112.5mm



Please contact the salesman if customer have other motor request such as motor shaft, speed or voltage.

特殊規格及其他需求請洽詢業務人員

Brushless BL90 Series gearbox 5GB type

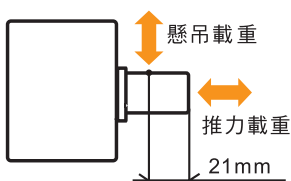


馬達 Motor	
機種 (Model)	長度 (Length) L1
BL90X	52.5mm
BL90S	62.5mm
BL90N	72.5mm
BL90M	87.5mm

減速機 Gearbox 5GB	
減速比 (Gear Ratio)	長度 (Length) L2
1:5/ 1:10/1:15	58mm
1:20/ 1:30/ 1:50/ 1:100	90mm

BL90 系列專用齒輪箱 5GB							
減速比 Gear Ratio	1:5	1:10	1:15	1:20	1:30	1:50	1:100
容許轉矩 Permissible Torque	15N-m (150kg-cm)		20N-m (200kg-cm)		35 N-m (350kg-cm)		
容許推力載重 Permissible Thrust Load	100N (10kg)						
容許懸吊載重 Permissible Overhung Load	300N (30kg)						

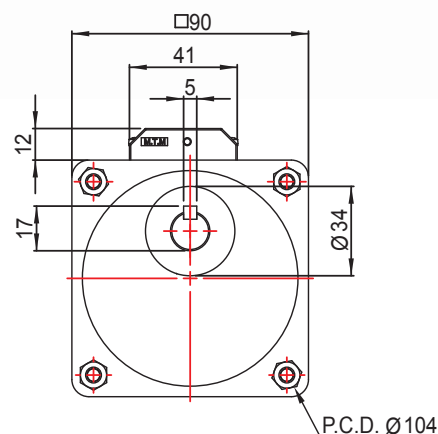
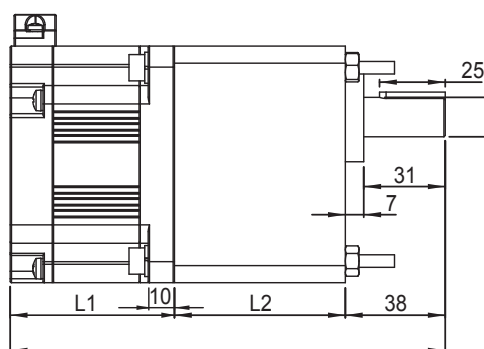
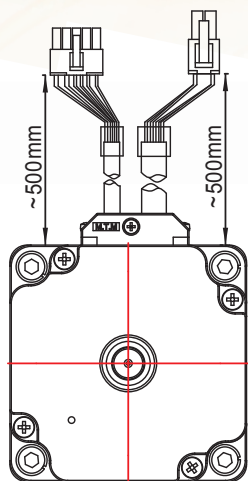
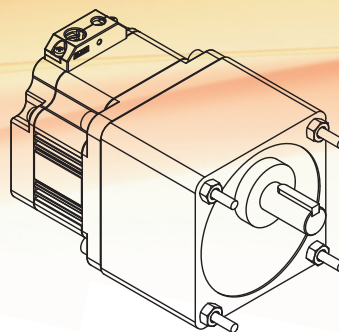
平行軸減速機



Please contact the salesman if customer have other motor request such as motor shaft, speed or voltage.
特殊規格及其他需求請洽詢業務人員

Brushless

BL90 Series gearbox 5GU type



馬達 Motor

機種 (Model)	長度 (Length) L1
BL90X	52.5mm
BL90S	62.5mm
BL90N	72.5mm

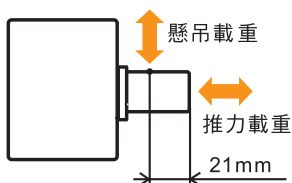
減速機 Gearbox 5GU

減速比 (Gear Ratio)	長度 (Length) L2
1:3~1:180	65mm

BL90 系列專用齒輪箱 5GU

減速比 Gear Ratio	1:5	1:10	1:15	1:20	1:25	1:30	1:40
容許轉矩 Permissible Torque	3.5N-m (35kg-cm)	7N-m (70kg-cm)	10N-m (100kg-cm)	13N-m (130kg-cm)	15N-m (150kg-cm)	18N-m (180kg-cm)	20N-m (200kg-cm)
減速比 Gear Ratio	1:50	1:75	1:90	1:100	1:120	1:150	1:180
容許轉矩 Permissible Torque	20N-m (200kg-cm)						
容許推力載重 Permissible Thrust Load	120N(12kg)						
容許懸吊載重 Permissible Suspension Load	400N(40kg)						

平行軸減速機



Please contact the salesman if customer have other motor request such as motor shaft, speed or voltage.

特殊規格及其他需求請洽詢業務人員