

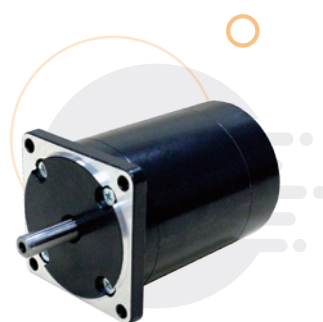
# Brushless

## BL60 Series specification of motor



### BL60S

額定電壓 Rated Voltage	24VDC
額定功率 Rated Power	40W
額定轉矩 Rated Torque	1.3kg-cm
額定相電流 Rated Phase Current	2.1A
額定轉速 Rated Speed	3000RPM
槽極數配合 Slot-Pole	8 極 12 槽 (8P12S)/10 極 12 槽 (10P12S)
防護等級 Degree of Protection	IP54



### BL60M

額定電壓 Rated Voltage	24VDC
額定功率 Rated Power	80W
額定轉矩 Rated Torque	2.6kg-cm
額定相電流 Rated Phase Current	4.4A
額定轉速 Rated Speed	3000RPM
槽極數配合 Slot-Pole	8 極 12 槽 (8P12S)/10 極 12 槽 (10P12S)
防護等級 Degree of Protection	IP54



### BL60L

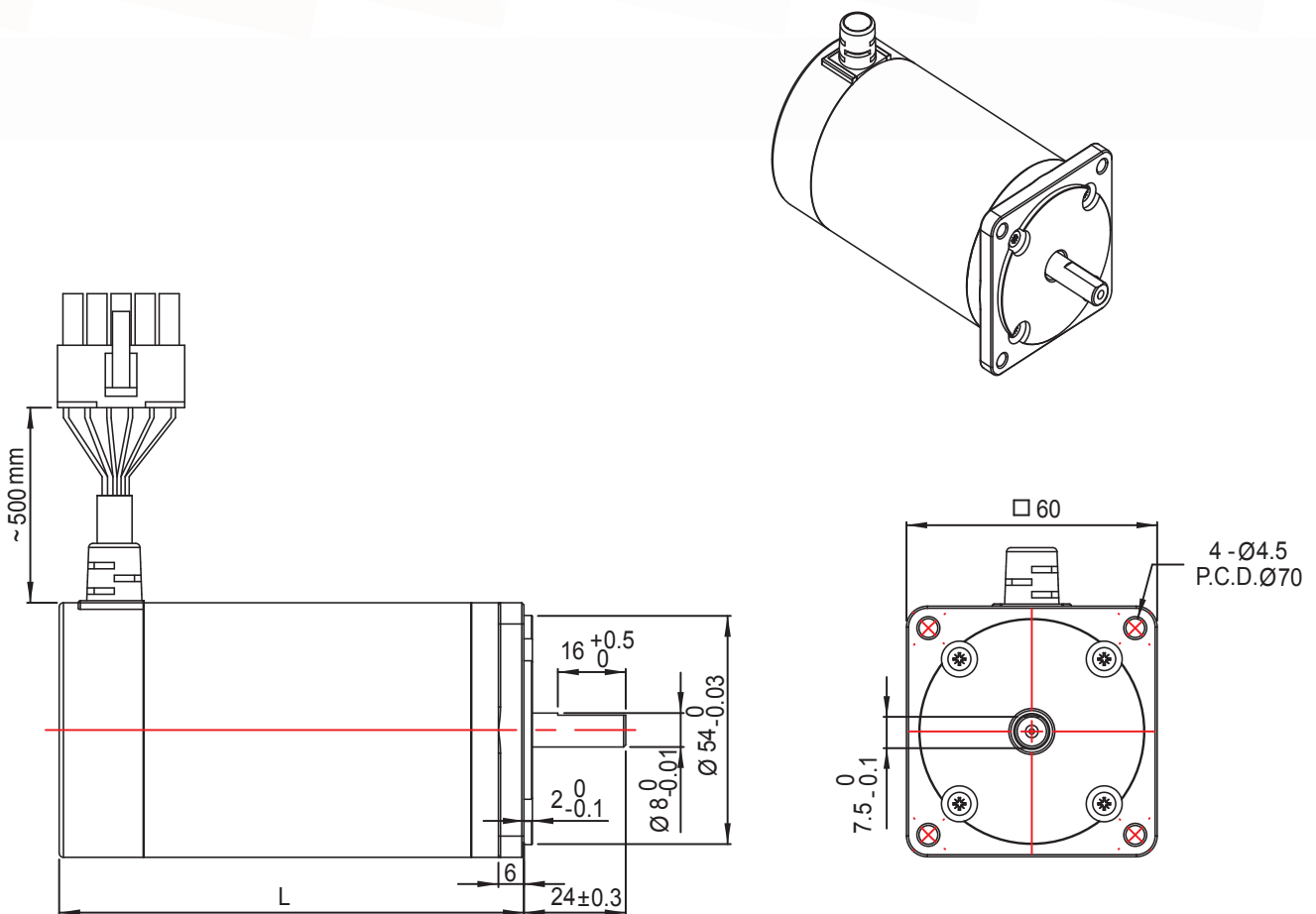
額定電壓 Rated Voltage	24VDC	155VDC±10%
額定電壓 Rated Voltage		310VDC±10%
額定功率 Rated Power	120W	
額定轉矩 Rated Torque	3.9kg-cm	
額定相電流 Rated Phase Current	6.2A	1.2A/0.6A
額定轉速 Rated Speed	3000RPM	
槽極數配合 Slot-Pole	8 極 12 槽 (8P12S)/10 極 12 槽 (10P12S)	
防護等級 Degree of Protection	IP54	

Please contact the salesman if customer have other motor request such as motor shaft, speed or voltage.

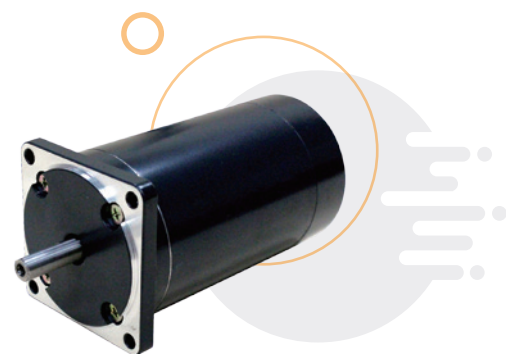
特殊規格及其他需求請洽詢業務人員

## Brushless

### BL60 Series outline dimension drawing



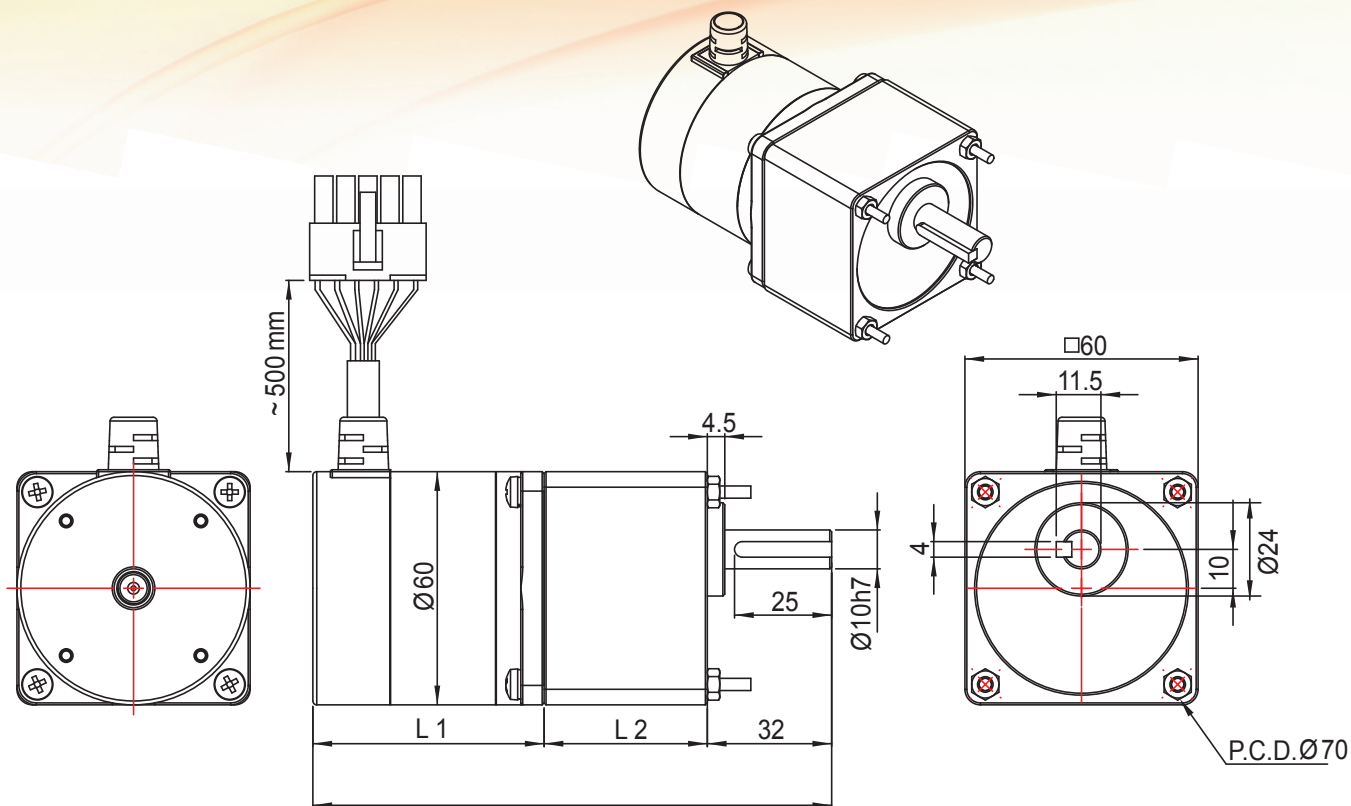
馬達 Motor	
機種 (Model)	長度 (Length) L
BL60S	59.5mm
BL60M	84.5mm
BL60L	109.5mm



Please contact the salesman if customer have other motor request such as motor shaft, speed or voltage.  
特殊規格及其他需求請洽詢業務人員

# Brushless

## BL60 Series gearbox 2GU type

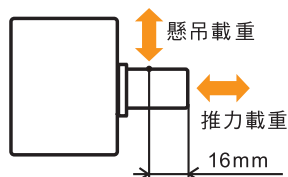


馬達 Motor	
機種 (Model)	長度 (Length) L1
BL60S	59.5mm
BL60M	84.5mm

減速機 Gearbox 2GU	
減速比 (Gear Ratio)	長度 (Length) L2
1:5、1:10	36mm
1:20、1:30	42mm
1:50、1:100	50mm

BL60 系列專用齒輪箱 2GU						
減速比 Gear Ratio	1:5	1:10	1:20	1:30	1:50	1:100
容許轉矩 Permissible Torque	3N-m (30kg-cm)		4.5N-m (45kg-cm)		6 N-m (60kg-cm)	
容許推力載重 Permissible Thrust Load	50N (5kg)					
容許懸吊載重 Permissible Overhung Load	100N (10kg)					

平行軸減速機



Please contact the salesman if customer have other motor request such as motor shaft, speed or voltage.

特殊規格及其他需求請洽詢業務人員