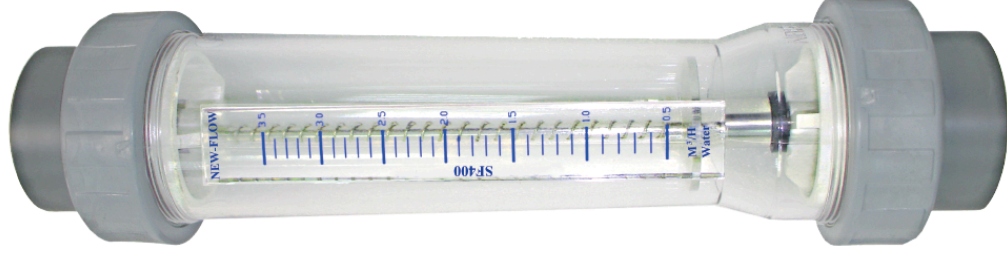


# PLASTIC FLOW METER SF400 – Spring Type – Without alarm switch type



## Technical Data

**Service:** Liquid, Oil

**Wetted parts material:**

Body: Polycarbonate (P.C); Polysulfone (PSU) available

O-ring: Viton

Float: SS316

Connection: SS316, PVC, PVDF available

Spring: SS316

**Connection size:** 1½", 2"NPT female available

**Mounting:** Vertical and Horizontal available, various flow directions

**Accuracy:** ±5% full scale

**Max. working pressure limit:** 1.2 MPa (12 kg/cm<sup>2</sup>)

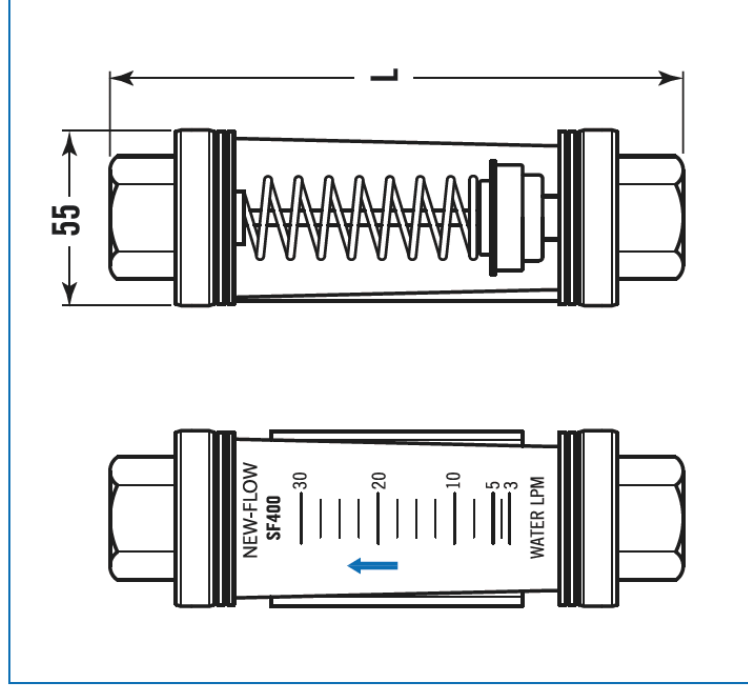
**Max. test pressure:** 2.0 MPa (20 kg/cm<sup>2</sup>) (water 25°C)

**Max. working temperature limit:** -10°C to 60°C (for PC body); -10°C to 110°C (for PSU body)

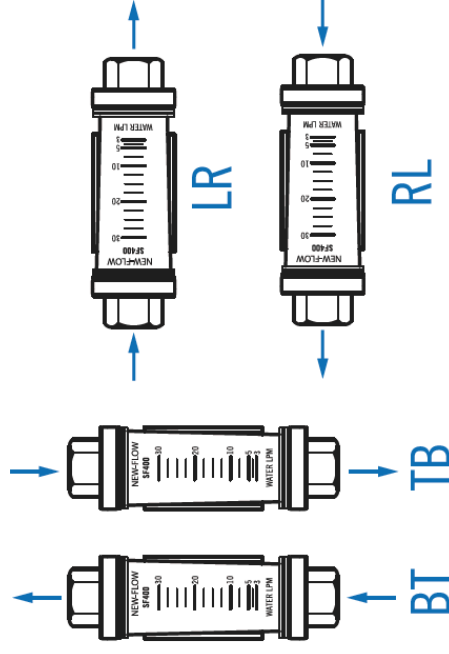
Approvals:



## Dimensions-mm



## Flow Direction Types



# Ordering Information

<b>SF400</b>	<b>Code</b>	<b>Flow Range</b> [Water-LPM (Litter per Minute)]
	<b>A</b>	25~250 LPM (only 1½" available)
	<b>B</b>	50~500 LPM (only 2" available)
	<b>Code</b>	<b>Body Material</b>
	<b>PC</b>	Polycarbonate <b>PSU</b> Polysulfone
	<b>Code</b>	<b>Connection Material</b>
		(1) SS316 (2) PVC (3) PVDF
	<b>Code</b>	<b>Process Connection in Female</b>
		(A) 1½"NPT ( L=385mm ) (B) 2"NPT ( L=415mm )
	<b>Code</b>	<b>Flow Direction</b>
	<b>BT</b>	Bottom to Top <b>TB</b> Top to Bottom <b>RL</b> Right to Left <b>LR</b> Left to Right
<b>SF400</b>	Complete ordering code	