

NEW-FLOW

**ISO 9001
REGISTERED**

NEW-FLOW

MANUFACTURE OF CAPACITIVE LEVEL SWITCH
CPLS1000 SERIES
AND CONTROL INSTRUMENTS

電容式液位開關操作說明書

Instruction Manual



NEW-FLOW TECHNOLOGIES, INC.

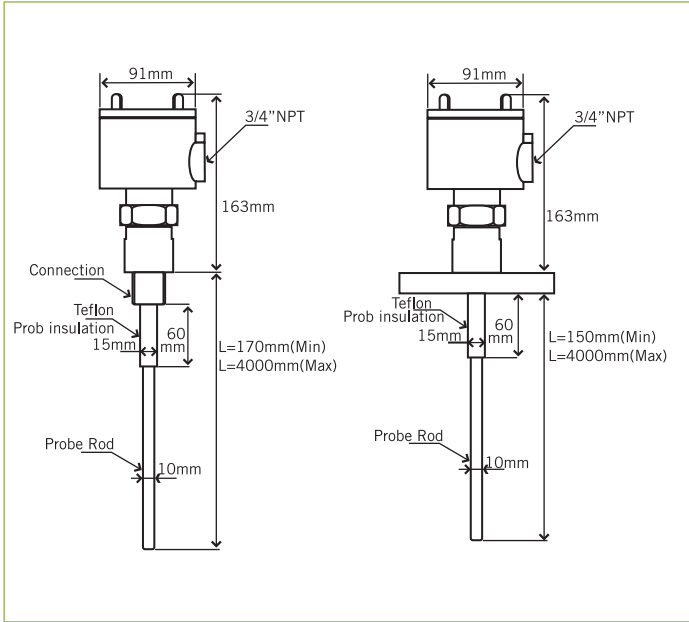
No.9 Lane 133, Xing-Hua St., Chien Chen Dist., Kaohsiung 806, Taiwan

TEL: 886-7-8135500 FAX: 886-7-8225588 / 8159758

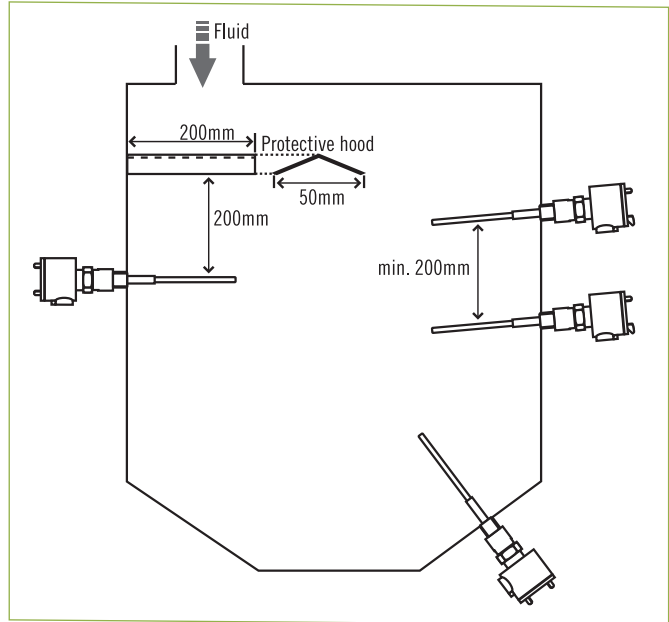
Email: info@new-flow.com www.new-flow.com

1.0 INTRODUCTION & DESCRIPTION

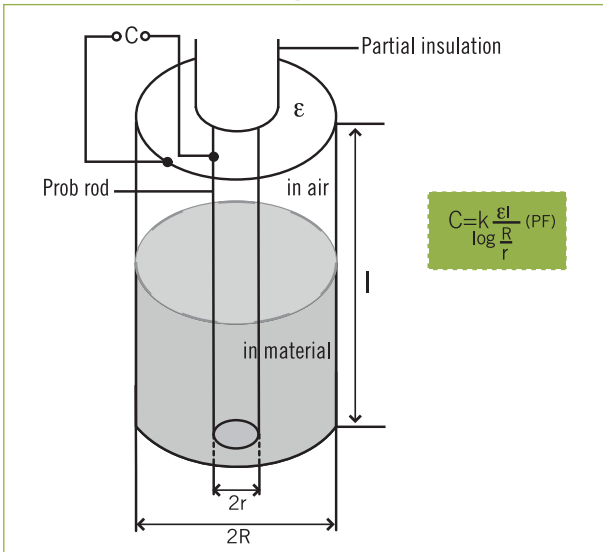
Dimensions 尺寸圖



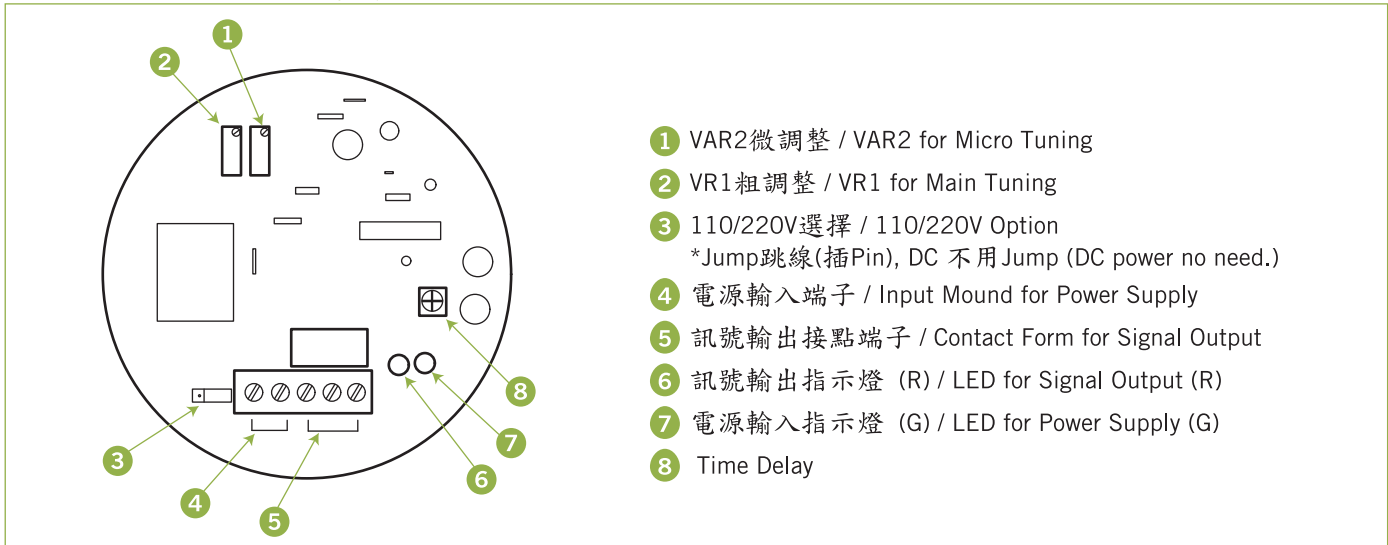
Installation Instruction 安裝說明



Measurement Principle 測量原理



Panel Board illustrate 基板說明



2.0 OPERATION & NOTICE

Operation Manual 操作說明

1. 輸入電源選擇:

請先確認輸入電源值，在確認Jump位置是否正確。當輸入電源時LED(G)燈會亮(DC24V不使用Jump)。

Power Supply Option:

At first, please confirm the voltage of power supply and the jump position is correct. LED will be lit when power supply is on. (Don't use jump when the voltage is DC24V.)

2. 敏感度調整:

VR1為粗調整，VAR2為細調整，當順時針旋轉時靈敏度較高，逆時針則反之。

Sensitivity Adjustment:

VR1 is for main tuning and VAR2 is for micro tuning. Increase the sensitivity by rotating clockwise; and decrease the sensitivity by rotating counterclockwise.

3. 測試步驟:

基本上CPLS1000 Level Switch都會先在工廠調整及測試至性能最好的狀態下才可出廠。但若因其他因素造成誤動作，客戶可依照以下的調整步驟在現場做處理。

步驟 A: VR1粗調整是用來調整Teflon Prob Insulation的部分。用手去觸摸Teflon Prob Insulation，訊號燈(R)若亮，即表示太過靈敏。此時需逆時針方向調整VR1，調整至用手去觸摸Teflon Prob Insulation，訊號燈(R)不會亮。

步驟 B: VAR2微調整是用來調整Probe Rod的部分。正常狀況是，用手去觸摸Probe Rod的尾端，訊號燈(R)即亮，手放開則訊號燈(R)即滅。若燈未滅，則表示太過靈敏，此時需逆時針方向調整VAR2，調整至燈滅，即完成動作。

步驟 C: 完成以上兩個測試步驟後，請將液位開關插入測試液體中，若訊號燈(R)燈亮即表示測試完成。

步驟 D: 如果訊號燈(R)燈未亮，請再重覆步驟A及B直到成功完成測試。

Steps of Calibration:

In the main, CPLS1000 level switch will be adjusted and calibrated in our factory to ensure the function before the shipment. But, if the malfunction caused by other factors, the customer can adjust the level switch by yourself in accordance with the following steps at the field directly.

Step A: VR1-main tuning is the part for adjusting the sensitivity of teflon prob insulation. If the LED(R) light up when you touch the teflon prob insulation by hand, which means it is too sensitive. At this moment, please adjust the VR1 by counterclockwise until the LED(R) won't light up when you touch the teflon prob insulation by hand.

Step B: VAR2-micro tuning is the part for adjusting the sensitivity of probe rod. Normally, the LED(R) will light up when you touch the bottom of probe rod; on the contrary, the light off by hands off. But, if the light isn't off, which means the probe is too sensitive. At this moment, please adjust the VAR2 by counterclockwise until the lights off.

Step C: Finished the calibrations as step A/B, and everything is no problem, then please insert the level switch into the fluid. If the LED(R) lights up that means the function of level switch is OK.

Step D: If the LED(R) doesn't light up, please repeat the step A and B until completion successfully.

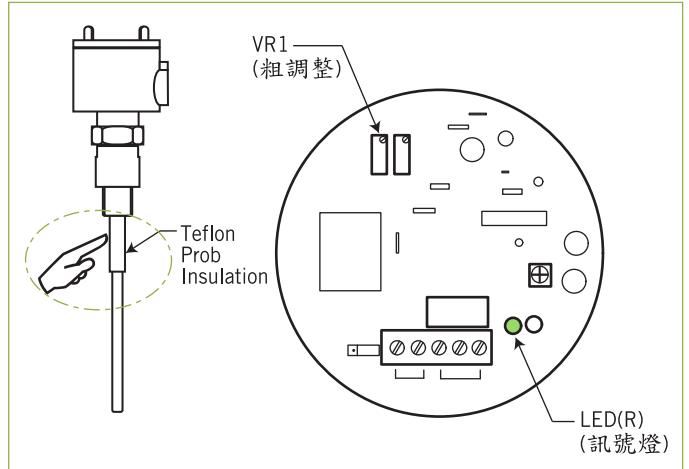
Notice 注意事項

如果動作異常，請聯絡原廠。請勿自行拆裝，以免造成液位開關損壞。

If any abnormal action is observed, please contact the factory.

Do Not disassemble the parts by yourself to avoid further damage to the level switch.

Step A.



Step B.

