

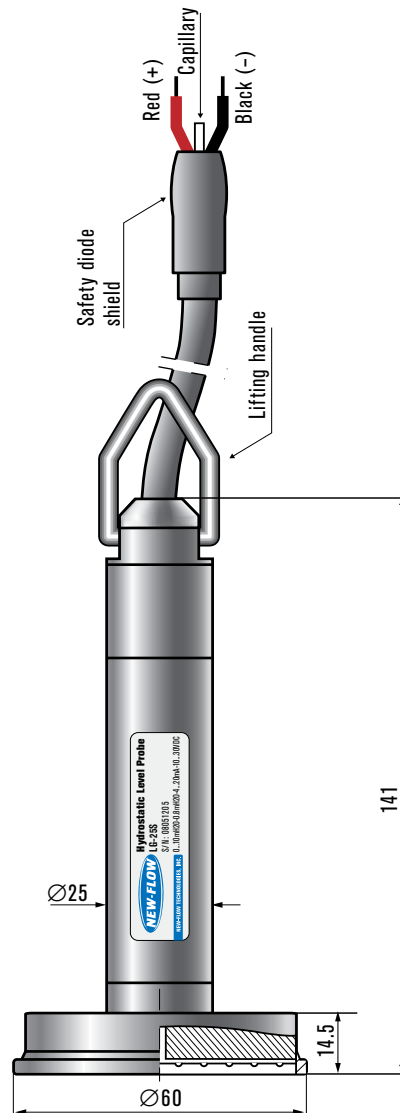
**NEW-FLOW**

**ISO 9001  
REGISTERED**

# **NEW-FLOW**

MANUFACTURE OF HYDROSTATIC LEVEL PROBES  
LG-25S  
FOR MEASUREMENT OF WASTE LIQUID LEVELS  
AND CONTROL INSTRUMENTS

## ***Instruction Manual***



**LG-25S**

**NEW-FLOW TECHNOLOGIES, INC.**

No.9 Lane 133, Xing-Hua St., Chien Chen Dist., Kaohsiung 806, Taiwan  
TEL: 886-7-8135500 FAX: 886-7-8225588 / 8159758  
Email: [info@new-flow.com](mailto:info@new-flow.com) [www.new-flow.com](http://www.new-flow.com)

# LG25S INSTALLATION

## Technical Parameters of the LG-25S

Any measurement range: 2 ÷ 20 m H<sub>2</sub>O (we recommend the standard ranges. 2, 4, 10 m H<sub>2</sub>O)

	Measurement Range		
	2 m H <sub>2</sub> O	4 m H <sub>2</sub> O	0...10 m H <sub>2</sub> O ÷ 20 m H <sub>2</sub> O
Overpressure Limit (repeatable - without hysteresis)	25 x range	25 x range	10 x range
Accuracy	1.5%	1%	0.5%
Thermal error of zero	Typical 0.4% / 10°C max 0.6% / 10°C		Typical 0.2% / 10°C max 0.3% / 10°C
Thermal error of span	Typical 0.3% / 10°C max 0.4% / 10°C		Typical 0.2% / 10°C max 0.3% / 10°C

**Hysteresis, repeatability:** 0.05%

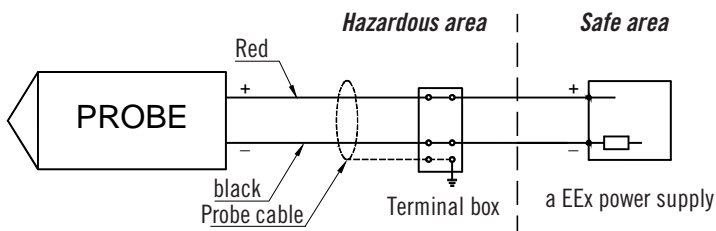
**Thermal compensation range:** 0 ÷ 25°C

**Process temperature limit:** -25 ÷ 75°C

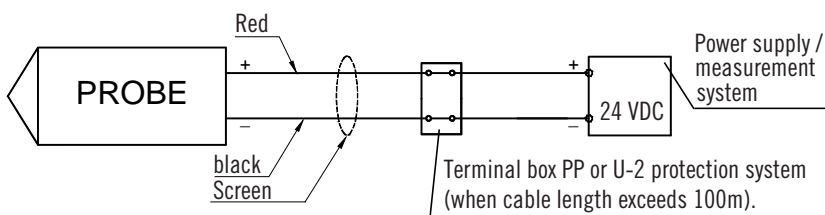
-25 ÷ 50°C –for EEx version

CAUTION: The medium must not be allowed to freeze in the immediate vicinity of the probe.

## LG25S Probes In EEx Version-Connection Method



## Connection Of LG25S Probes In A Two-Wire System



420mA output signal  
 Not applicable to EEx version.

## LG-25S Probe

