

NEW-FLOW

**ISO 9001
REGISTERED**

NEW-FLOW

MANUFACTURE OF HORIZONTAL / VERTICAL MAGNETIC
LEVEL SWITCH – **LT206H / LT206V**
AND CONTROL INSTRUMENTS

直立/側裝浮球式液位開關操作說明書

Instruction Manual



PATENT NO.
M334951



NEW-FLOW TECHNOLOGIES, INC.

No.9 Lane 133, Xing-Hua St., Chien Chen Dist., Kaohsiung 806, Taiwan

TEL: 886-7-8135500 FAX: 886-7-8225588 / 8159758

Email: info@new-flow.com www.new-flow.com

TABLE OF CONTENTS

1.0 Description	page 1
2.0 Dimensions	page 1
3.0 Action Angle of Float	page 2

TEL: 886-7-8135500 FAX: 886-7-8225588
e-mail: info@new-flow.com
<http://www.new-flow.com>
Instruction No.: 20160504-It206hv-00

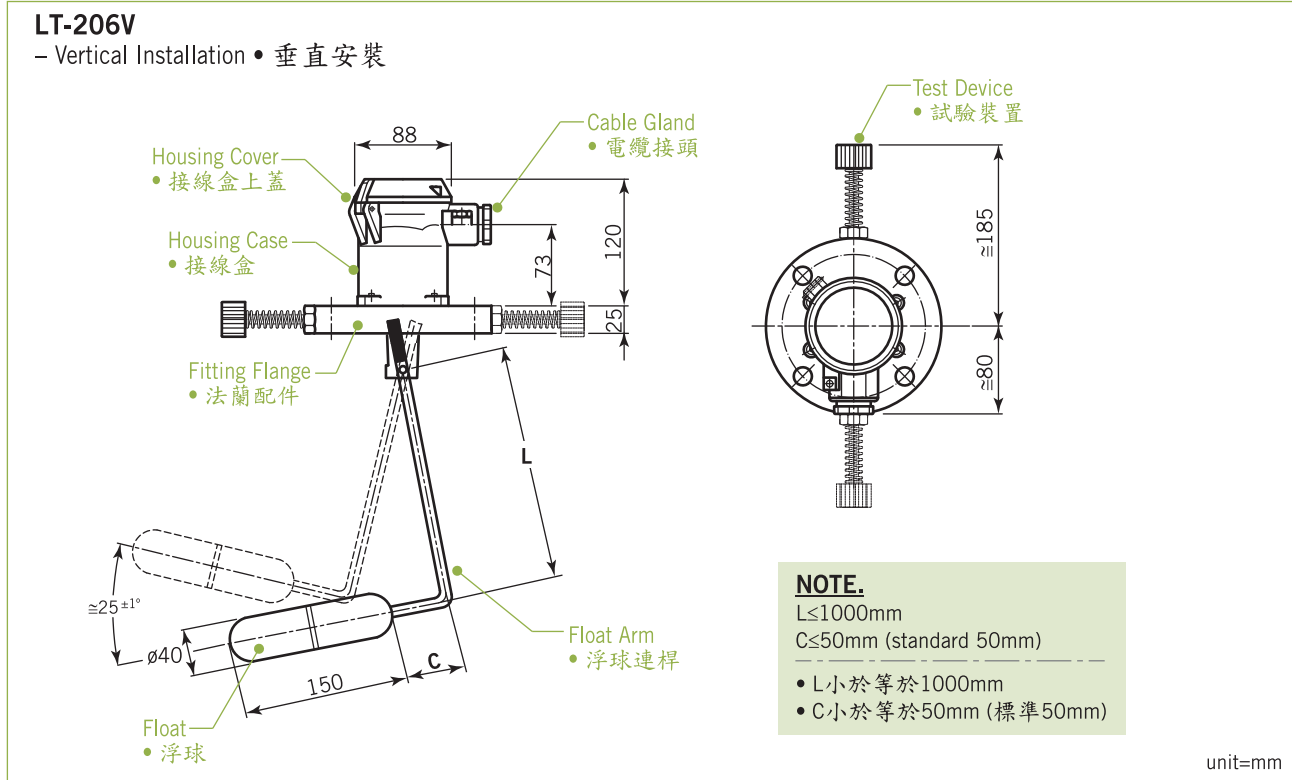
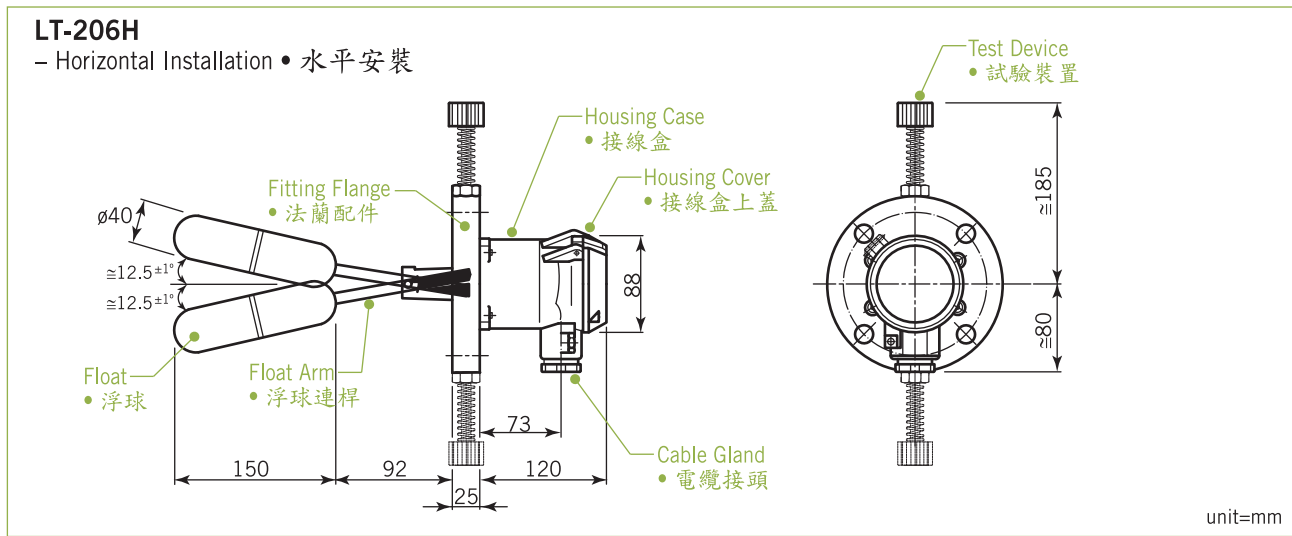
1.0 DESCRIPTION

Technical Data 規範

- Enclosure Housing:** Weather proof IP65
- Process Connection Size:** 2½"~4" Flange type
- Flange Rating:** JIS, ANSI, DIN available
- Material:** Flange- C.S, Stainless steel, option available;
Housing ADC12(Aluminum); Float & Others- SS316
- Temperature Limits:** -25°C to 100°C
- Pressure Limits:** 0.3MPa
- Switch Function:** SPDT Micro switch
- Switch Rating:** 15A 125/250VAC or 480VAC
- Conduit Connection Size:** ¾" NPT female, for cable ø10mm
- Float Working Specific Gravity:** ≥0.7 (option: less than 0.7 available on request)

2.0 DIMENSIONS

Dimensions 尺寸圖



3.0 ACTION ANGLE OF FLOAT

Switching Angle & Operating Signal 浮球上升/下降角度及操作信號圖

LT-206H – Horizontal Installation • 水平安裝

PUSH DOWN
• 往下推

Test Device Lever
• 試驗裝置控制桿

Spring
• 彈簧

NO COM NC

Rising Level • 上升液位
Push down the test device lever, and the float will be rising; and release it, the float returns back.

- 將試驗裝置控制桿往下推，浮球將上升；反之，放開控制桿，浮球即回復原位。

Magnet
• 磁鐵

Switch Mechanism
• 開關機械裝置

PUSH UP
• 往上推

Falling Level • 下降液位
Push up the test device lever, and the float will be falling; and release it, the float returns back.

- 將試驗裝置控制桿往上推，浮球將下降；反之，放開控制桿，浮球即回復原位。

LT-206V – Vertical Installation • 垂直安裝

Spring
• 彈簧

PUSH RIGHT
• 往右推

Test Device Lever
• 試驗裝置控制桿

Switch Mechanism
• 開關機械裝置

Magnet
• 磁鐵

NO COM NC

Rising Level • 上升液位
Push right the test device lever, and the float will be rising; and release it, the float returns back.

- 將試驗裝置控制桿往右推，浮球將上升；反之，放開控制桿，浮球即回復原位。

PUSH LEFT
• 往左推

Falling Level • 下降液位
Push left the test device lever, and the float will be falling; and release it, the float returns back.

- 將試驗裝置控制桿往左推，浮球將下降；反之，放開控制桿，浮球即回復原位。