

NEW-FLOW

**ISO 9001
REGISTERED**

NEW-FLOW

MANUFACTURE OF FILLED TYPE THERMOMETERS

W/MICRO SWITCH INSTRUMENTS

填充式溫度計使用說明書

Instruction Manual



SM TYPE CE
(Wall mounting)

SA TYPE CE
(Panel mounting)

NEW-FLOW TECHNOLOGIES, INC.

No.9 Lane 133, Xing-Hua St., Chien Chen Dist., Kaohsiung 806, Taiwan

TEL: 886-7-8135500 FAX: 886-7-8225588 / 8159758

Email: info@new-flow.com www.new-flow.com

INSTALLATION

Technical Data

Remote mounting type

Material of case & cover: 316 stainless steel, option available

Material of sensor bulb capillary tube, flex tube: SS304, SS316, and others available

Lens: Glass, safety glass available

Temp range: -200~+650°C available

Housing enclosure: IP65, liquid filled available

Accuracy: ±1% (FS)

Capillary tube length limited:

liquid filled type: 10M

gas filled type: max. 50M

option available

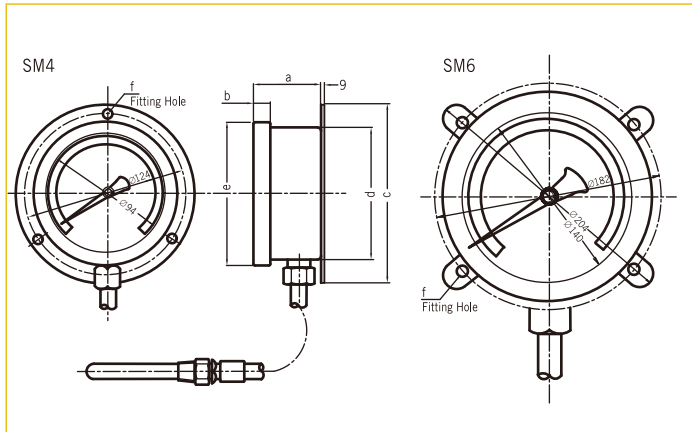
Stem dimensions: Ø 6, 8, 10, 12mm available

Process connection: 1/2"NPT standard, other available

Over range protection: 130% F.S.

Contact type limit switch: available 7 functions for usage.

Dimensions

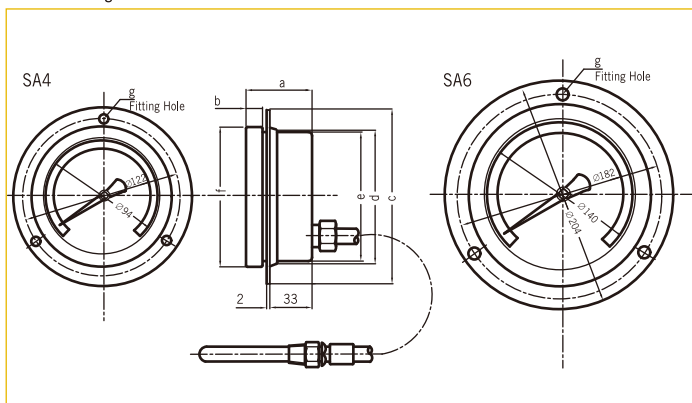


Symbol	a	b	c	d	e	f
Model SM4	51	13	138	103	113	3-Ø5.5
Model SM6	52	15	204	153	165	4-Ø8

*Sensor bulb and connection consult to factory.

*Remote capillary length:

Maximum length: 50M



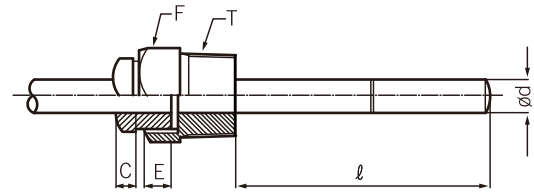
Symbol	a	b	c	d	e	f	g
Model SA4	54	13	134	107	102	113	3-Ø5.5
Model SA6	54	15	200	153	153	165	3-Ø7

*Sensor bulb and connection consult to factory.

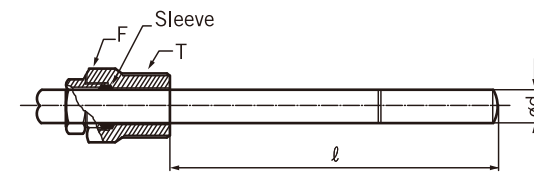
*Remote capillary length:

Maximum length: 50M

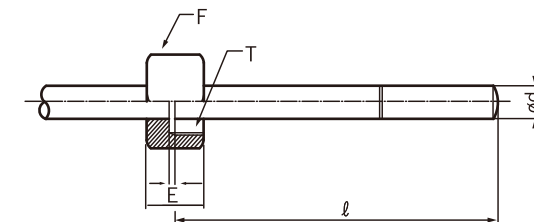
Connection Type



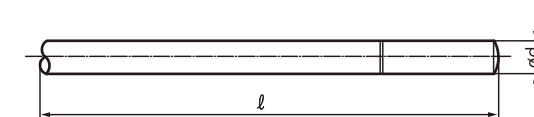
(A) Rotary Thread Type



(B) Slide Thread Type
(Length "l" changed available.)



(C) Female Thread Type
(Rotation Style)



(D) Non Thread Type

T: Process connection
E: Stop plate for (rotary & rotation style)
F: Hexagonal head
l: Sensor length
d: Sensor dimension

INSTALLATION

溫度計按裝說明

Temperature Gauge Installation Method

